





METALING IN MID CENTURY MODERN

Toro™ is paving the way in the metal cabinet market as we work with design professionals from across the country to create unique projects. From kitchens to bowling alleys, laundry rooms to bathrooms, we are doing it all. Inspired by metal cabinets of the mid-century atomic boom when kitchens across the nation were being fitted with metal cabinets powder coated in a variety of patriotic and pastel colors. Toro™ has created cabinetry for a more progressive audience, a discerning group who craves all of the modern conveniences of today with something special that sets them apart.

Using a modular approach, the cabinets are pre-engineered in 3" increments in over 160 sizes. They feature solid wood construction, dovetail drawer boxes, modern German soft-close hardware, an 18-gauge galvanized steel door powder-coated to any RAL color, and an array of handles and legs to choose from. Each configuration of Toro™ cabinets allow clients to express their individuality. From retro to contemporary and everything in-between, you can let your personality shine through.

We can't wait to work with you and see how you create with Toro™

Sincerely,

A handwritten signature in blue ink that reads "Avi". The signature is stylized and cursive.

Avi Gordon
Founder, CEO, Industrial Designer for Toro™
torokitchencabinets.com | 757-655-5179

COPYRIGHT NOTICE : All ideas, designs, arrangements & plans indicated or represented by these drawings are owned by & property of Toro Kitchen Cabinets LLC and were created, evolved and developed for use on and in connection with works and designs produced by and in conjunction with Toro Kitchen Cabinets. None of such ideas, designs, arrangements or plans shall be used without written consent by Toro Kitchen Cabinets LLC.




TABLE OF CONTENTS

- 10 Wall Cabinets**
- 28 Drawer Bases**
- 41 Base Cabinets**
- 60 Sink Bases**
- 72 Oven Pantry**
- 80 Pantry**
- 92 Trash Bins**
- 96 Micro & Fridge**
- 106 Panels & Fillers**



All-Wood Box Construction

The foundation of the Toro™ line is the cabinet boxes. Expertly constructed and hand-stained 3/4 inch all-wood cabinets offer premium durability and maximum weight support perfect for specialty counter-tops like granite or concrete. The wood box and metal door combo give the Toro™ lineup the retro modern feel it's known for. Choose from one of four color options to complement or contrast your door color.



Gloss-White
Laminate

All-Wood Stained
Mahogany

All-Wood Maple

All-Wood Stained
Ash Gray



Crafted To Perfection

The metal doors are the crown jewel of Toro™'s design. Each door was artistically designed and expertly crafted from 18-gauge galvanized steel with a 16-gauge brushed aluminum back. The door is a sandwich construction with a precisely cut plywood core for a secure and exacting assembly of all hardware components.

For a smooth look and a soft feel, the corners of every door are rounded and polished to create a stylized and iconic look unique to Toro™ kitchens. Once the doors for your kitchen are manufactured, off they go to powder coating where you can choose from hundreds of colors. Whether subtle or bold, whatever your style, there is a color out there for you!



Live In Color

Each Toro™ kitchen is unique. There are endless combinations to choose from. After manufacturing, the doors are painted with a high-quality powder-coated finish of your choosing that gives the door a durable and personalized coating unlike any other cabinet on the market. Choose from a pre-formulated color palette including hundreds of RAL hues from classic red to seafoam green and everything in-between. Color swatches available upon request.



You'll Feel The Difference

With some of the best hinges and drawer slides on the market, Toro™ Kitchen Cabinets are anything but old-school. Standard wooden drawer boxes are crafted with dovetail corners and all door and drawer slides are German engineered for smooth gliding, full extension, and soft-close. Toro™ and Blumotion hardware is where quality engineering and art meet. So, even if your color choice is loud... your kitchen cabinets won't be.



Full Dovetail Drawers



BLUMOTION® Soft-Close



TANDEM® Full Extension Slides



AVENTOS® Door Lift



Retro or Modern, You Decide

Each handle and leg has its own personality and innate style. Toro Cabinets are classic.

Dress them up or down or any way you want with our selection of handles and feet.



Chevron Door Pull



Ergo Door Pull



Deco Foot



Deco Door Pull



Retro Door Pull



Classic Foot

WALL CABINETS



12



Blind Wall 24

13



Blind Wall 30

14



Blind Wall 36

15



Wall 09

16



Wall 12

17



Wall 15

18



Wall 18

19



Wall 21

20



Wall 24

21



Wall 27

22



Wall 30

23



Wall 33

24



Wall 36

25



Wall Corner 45°

26



Wall Radius 12

27



Blind Wall Radius
12 Extended

BLIND WALL 24

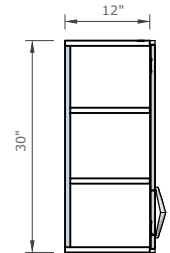
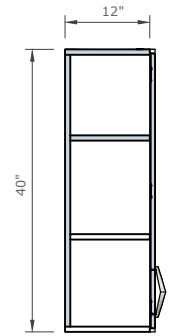
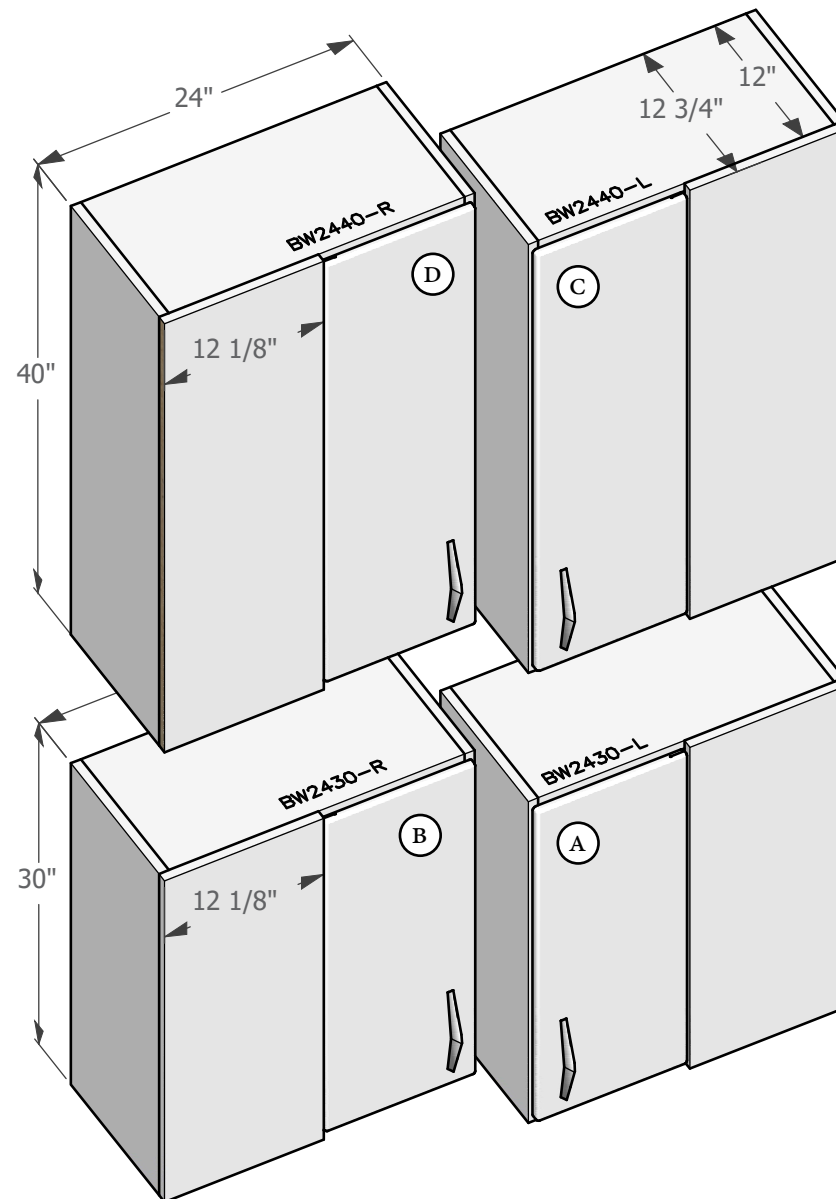
BW2430-L/R 24X30 in | BW2440-L/R 24X40 in

Blind wall cabinets are typically used in the corners of kitchens connecting to another cabinet as it turns the corner. Most of the time they are also 'pulled' in one direction, which can adjust the length of the adjacent line of cabinets. Cabinet can be flipped to extend to the right or left.

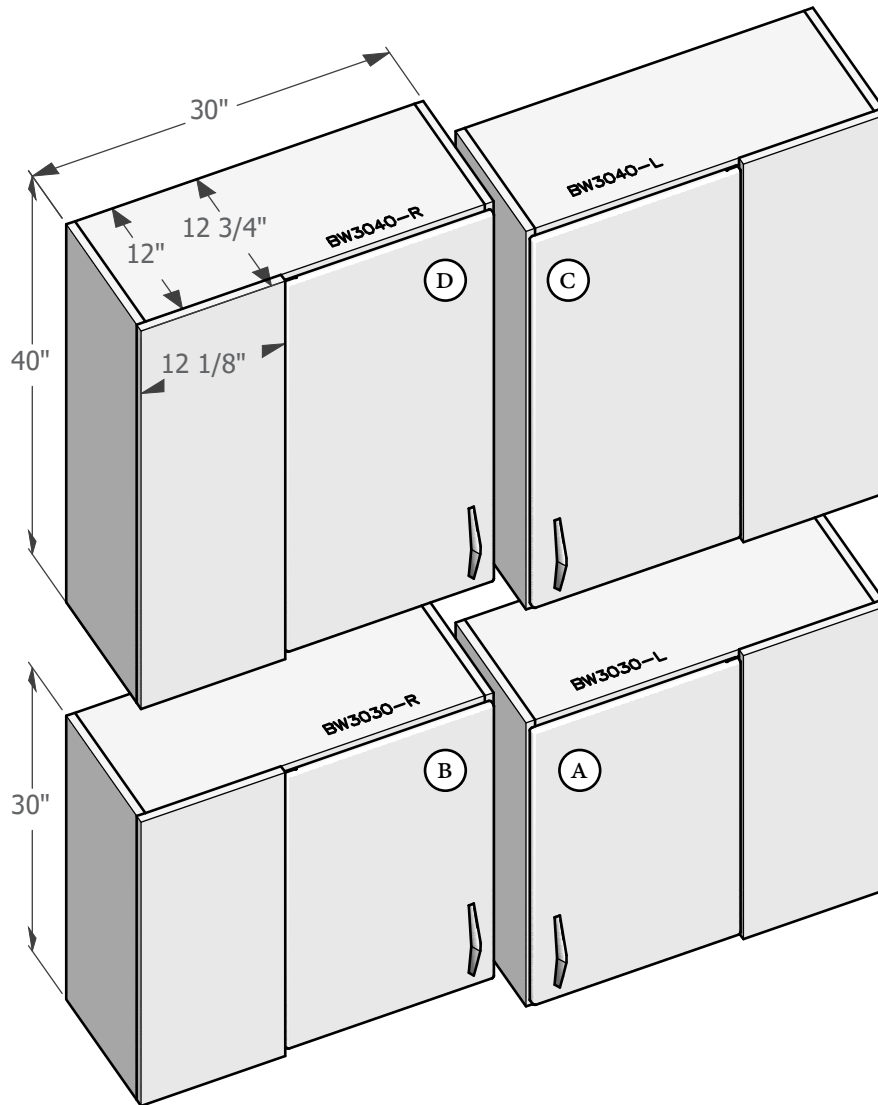
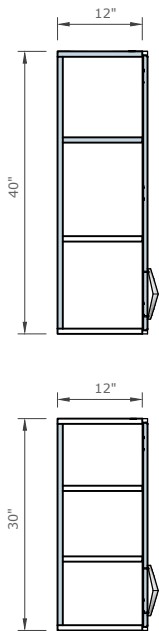
DOORS

A	BW2430 - L
B	BW2430 - R
C	BW2440 - L
D	BW2440 - R

*R & L designations refer to right and left hinge side (not handle side)



*All flat panel doors come standard with BLUMOTION soft-close hinges.



BLIND WALL 30

BW3030-L/R 30X30 in | BW3040-L/R 30X40 in

Blind wall cabinets are typically used in the corners of kitchens connecting to another cabinet as it turns the corner. Most of the time they are also 'pulled' in one direction, which can adjust the length of the adjacent line of cabinets. Cabinet can be flipped to extend to the right or left.

DOORS

A	BW3030 - L
B	BW3030 - R
C	BW3040 - L
D	BW3040 - R

*R & L designations refer to right and left hinge side (not handle side)

*All flat panel doors come standard with BLUMOTION soft-close hinges.

BLIND WALL 36

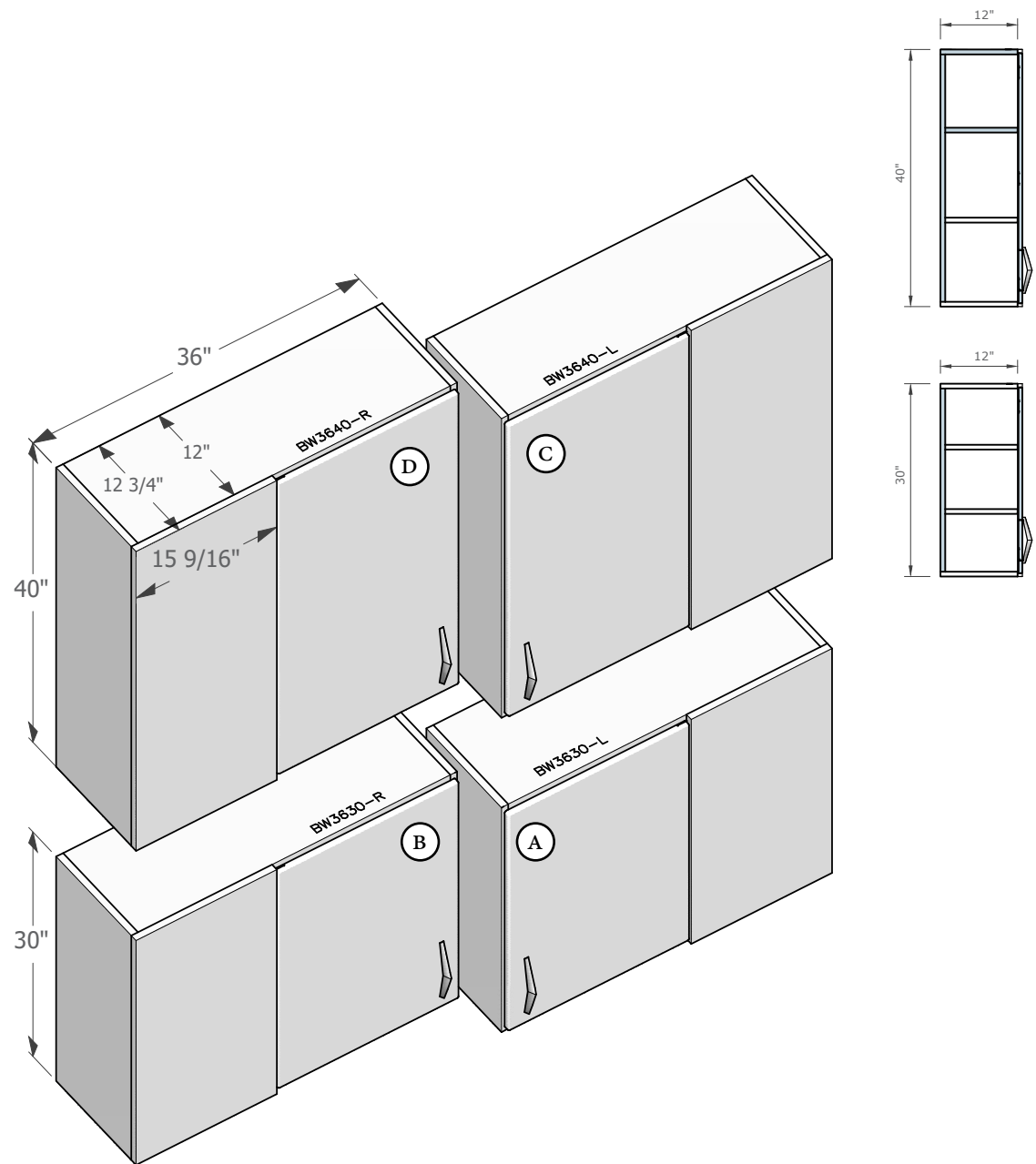
BW3630-L/R 36X30 in | BW3640-L/R 36X40 in

Blind wall cabinets are typically used in the corners of kitchens connecting to another cabinet as it turns the corner. Most of the time they are also 'pulled' in one direction, which can adjust the length of the adjacent line of cabinets. Cabinet can be flipped to extend to the right or left.

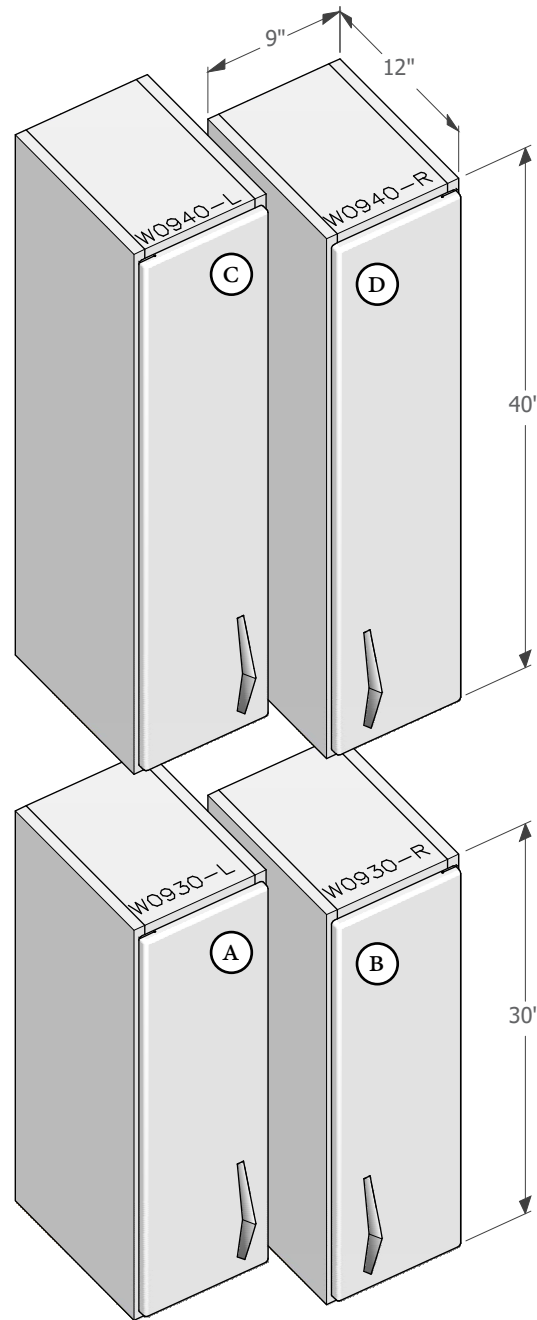
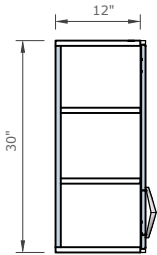
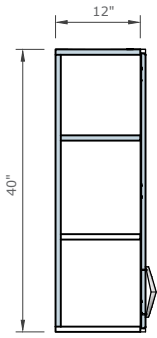
DOORS

A	BW3630 - L
B	BW3630 - R
C	BW3640 - L
D	BW3640 - R

*R & L designations refer to right and left hinge side (not handle side)



*All flat panel doors come standard with BLUMOTION soft-close hinges.



WALL 9

W0930-L/R 9X30 in | W0940-L/R 9X40 in

Typically available in 3" width increments, wall cabinets, also known as uppers, extend down the wall in sizes and segments as needed to fill space. Toro cabinets come in 30" and 40" heights, to allow for slightly taller appliances and under-mount lighting without effecting counter top to wall cabinet clearances.

DOORS

A/B	UD00930
C/D	UDOW0940

*All flat panel doors come standard with BLUMOTION soft-close hinges.

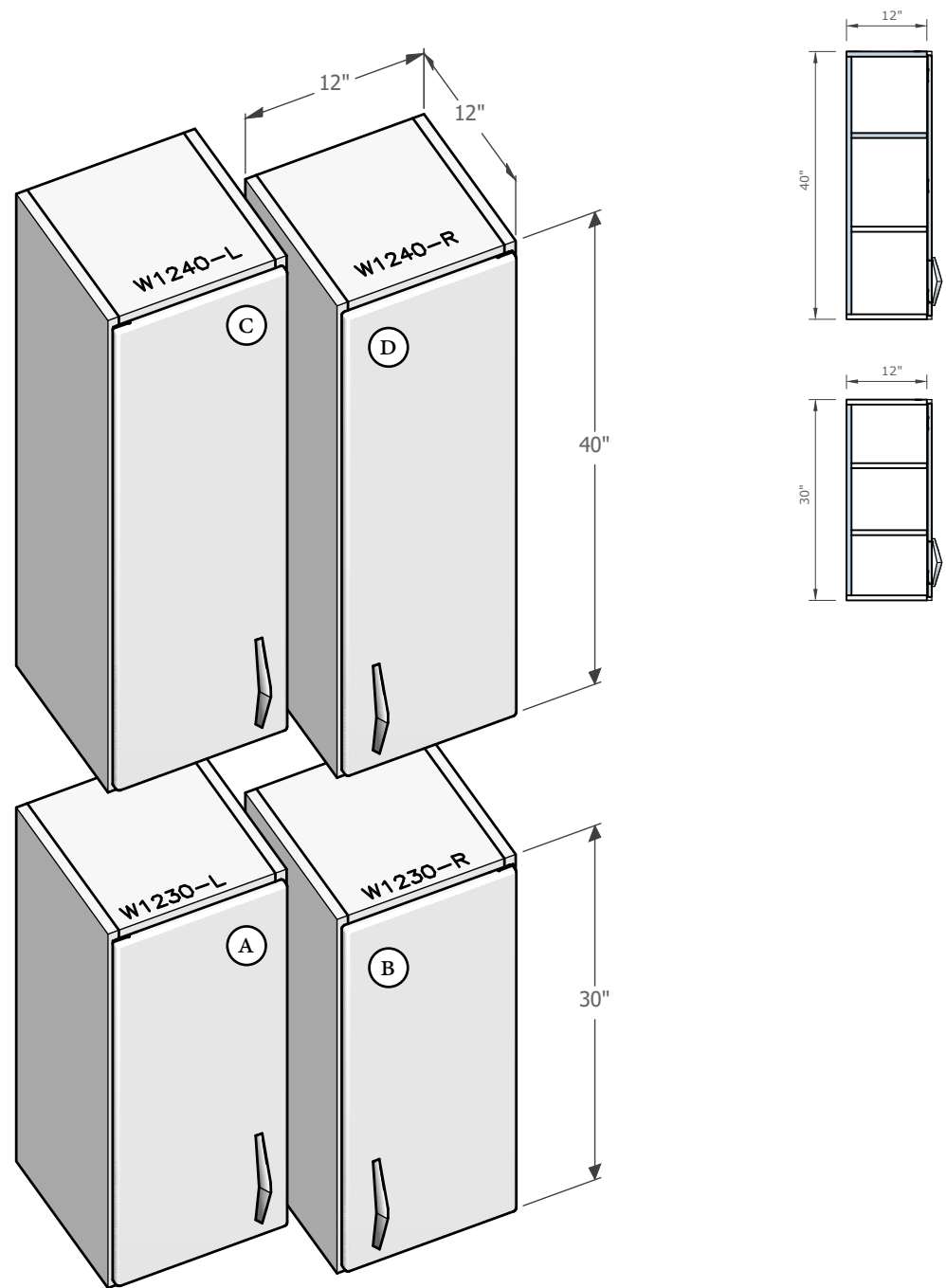
WALL 12

W1230-L/R 12X30 in | W1240-L/R 12X40 in

Typically available in 3" width increments, wall cabinets, also known as uppers, extend down the wall in sizes and segments as needed to fill space. Toro cabinets come in 30" and 40" heights, to allow for slightly taller appliances and under-mount lighting without effecting counter top to wall cabinet clearances.

DOORS

A/B	UD01230
C/D	UD01240

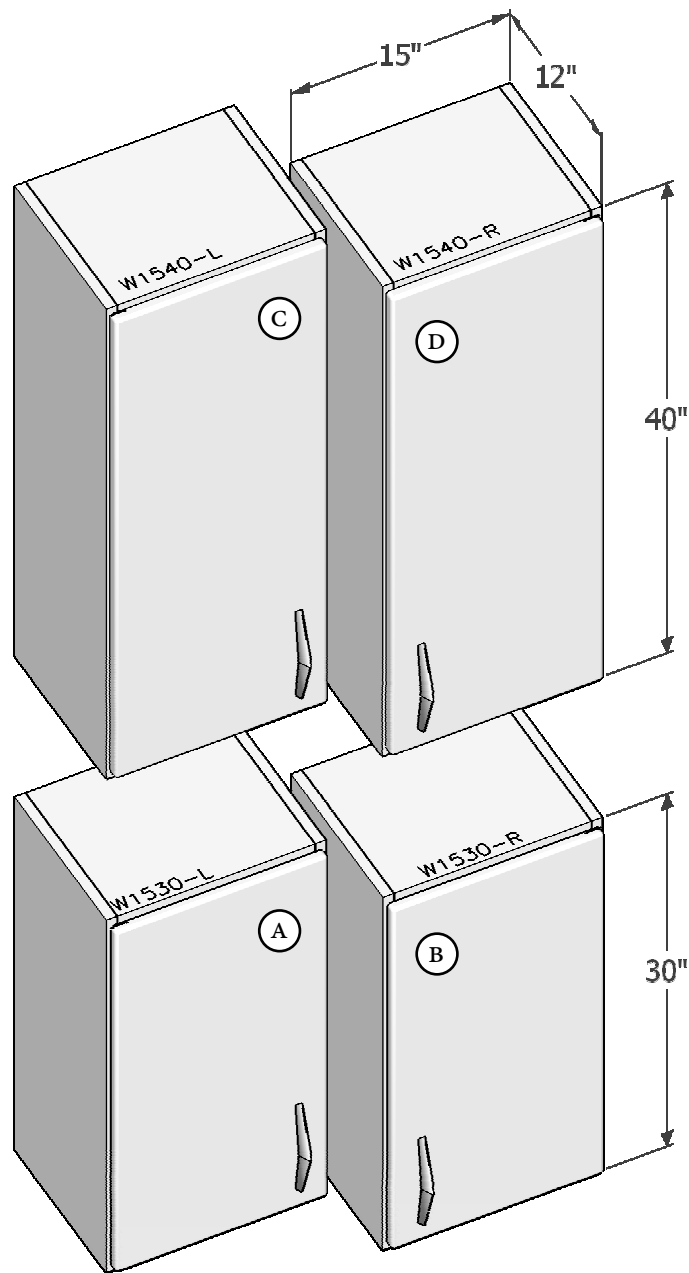
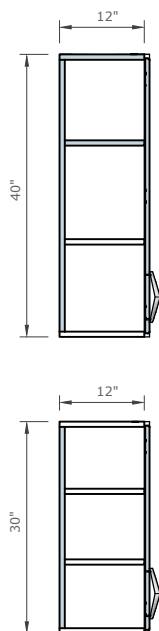


*All flat panel doors come standard with BLUMOTION soft-close hinges.

WALL 15

W1530-L/R 15X30 in | W1540-L/R 15X40 in

Typically available in 3" width increments, wall cabinets, also known as uppers, extend down the wall in sizes and segments as needed to fill space. Toro cabinets come in 30" and 40" heights, to allow for slightly taller appliances and under-mount lighting without effecting counter top to wall cabinet clearances.



DOORS

A/B	UD01530
C/D	UD01540

*All flat panel doors come standard with BLUMOTION soft-close hinges.

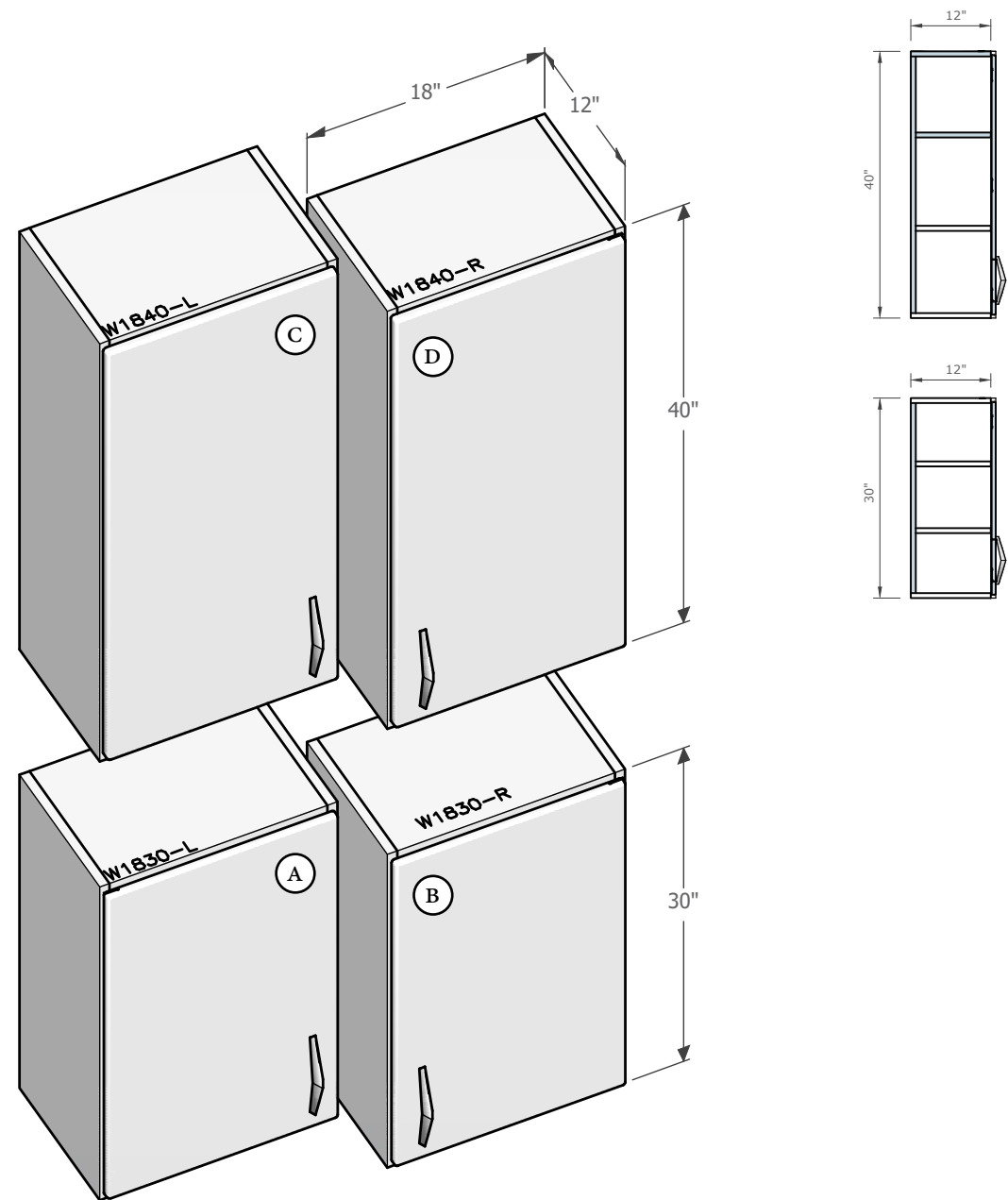
WALL 18

W1830-L/R 18X30 in | W1840-L/R 18X40 in

Typically available in 3" width increments, wall cabinets, also known as uppers, extend down the wall in sizes and segments as needed to fill space. Toro cabinets come in 30" and 40" heights, to allow for slightly taller appliances and under-mount lighting without effecting countertop to wall cabinet clearances.

DOORS

A/B	UDO1830
C/D	UDO1840



*All flat panel doors come standard with BLUMOTION soft-close hinges.

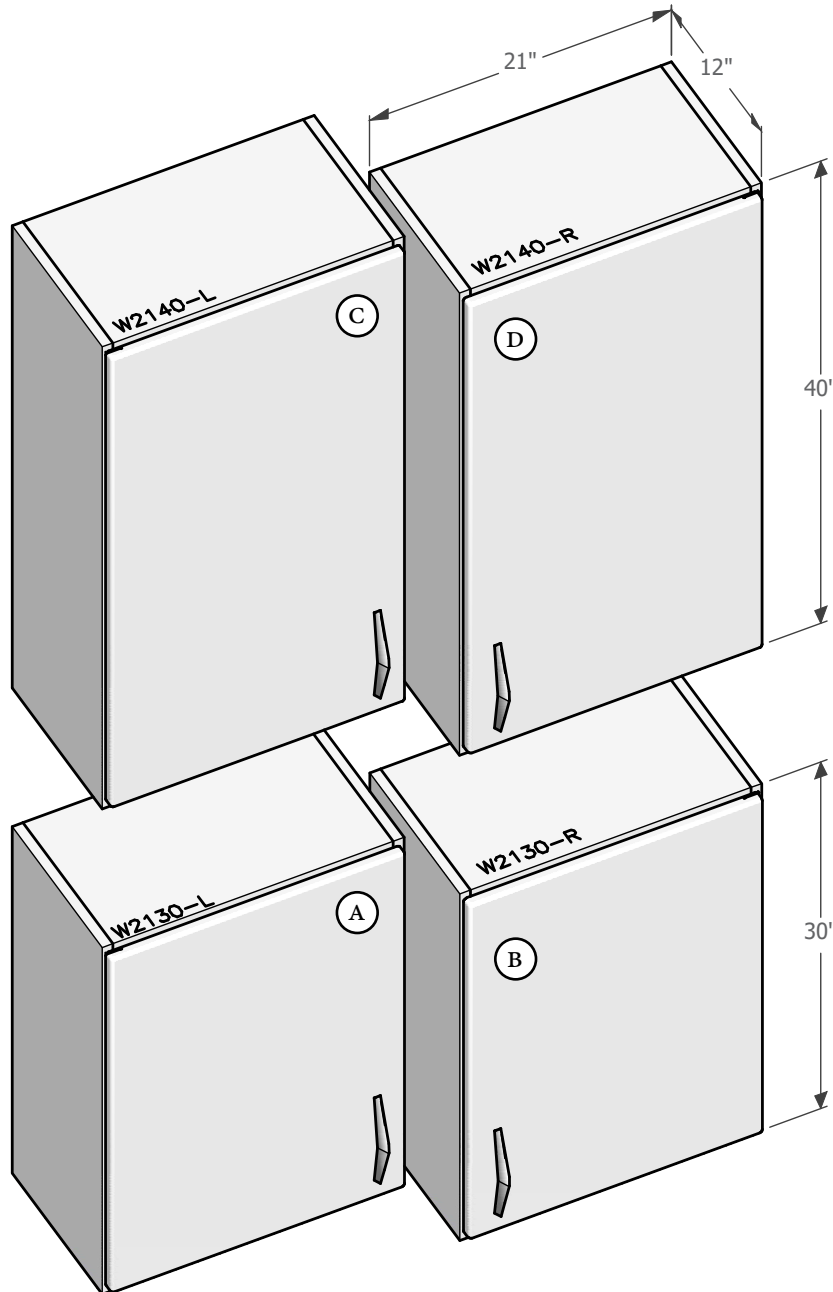
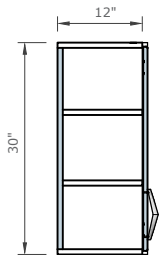
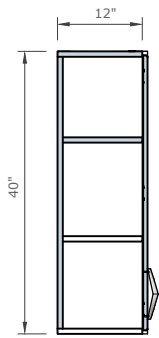
WALL 21

W2130-L/R 21X30 in | W2140-L/R 21X40 in

Typically available in 3" width increments, wall cabinets, also known as uppers, extend down the wall in sizes and segments as needed to fill space. Toro cabinets come in 30" and 40" heights, to allow for slightly taller appliances and under-mount lighting without effecting counter top to wall cabinet clearances.

DOORS

A/B	UD02130
C/D	UD02140



*All flat panel doors come standard with BLUMOTION soft-close hinges.

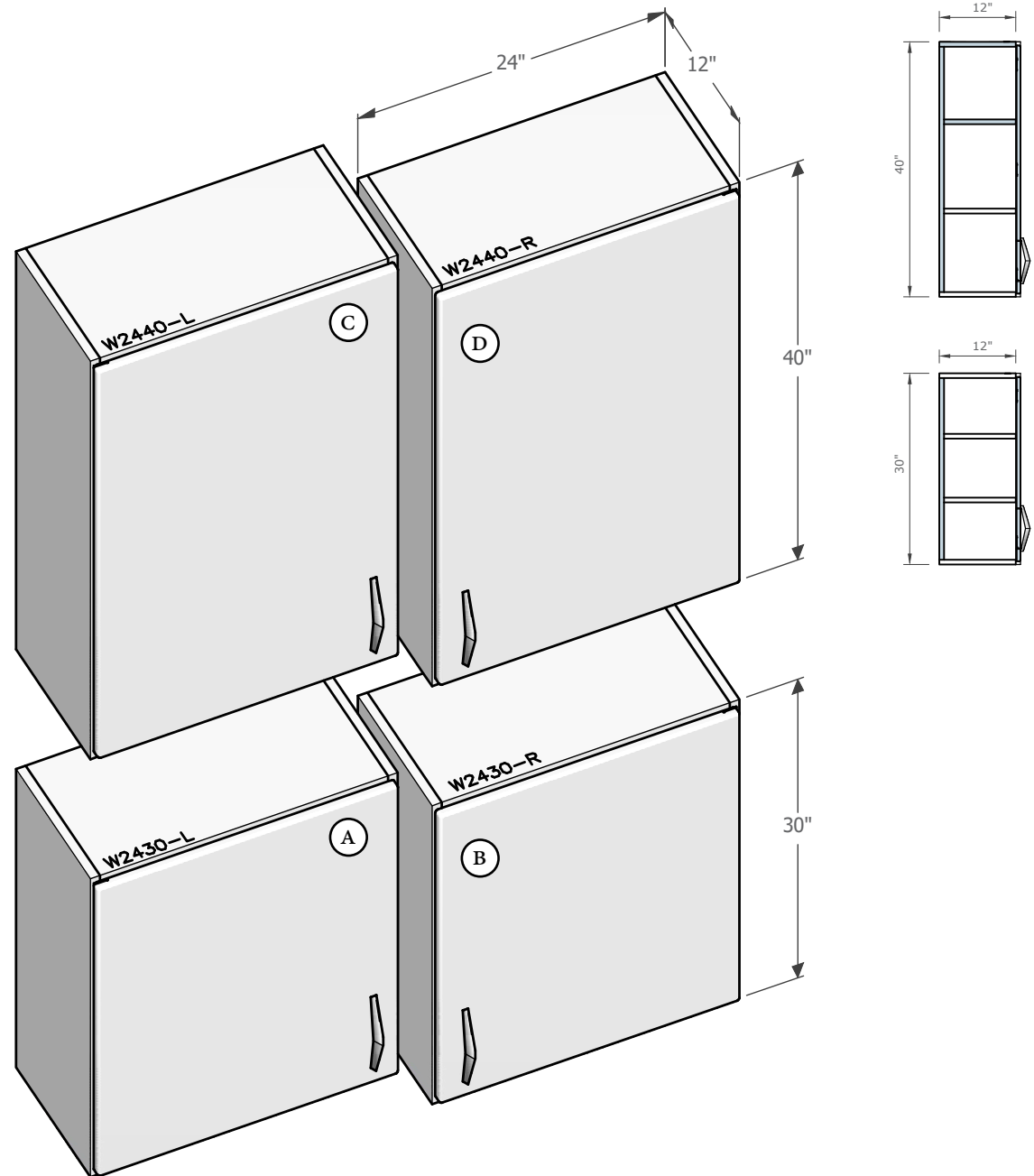
WALL 24

W2430-L/R 24X30 in | W2440-L/R 24X40 in

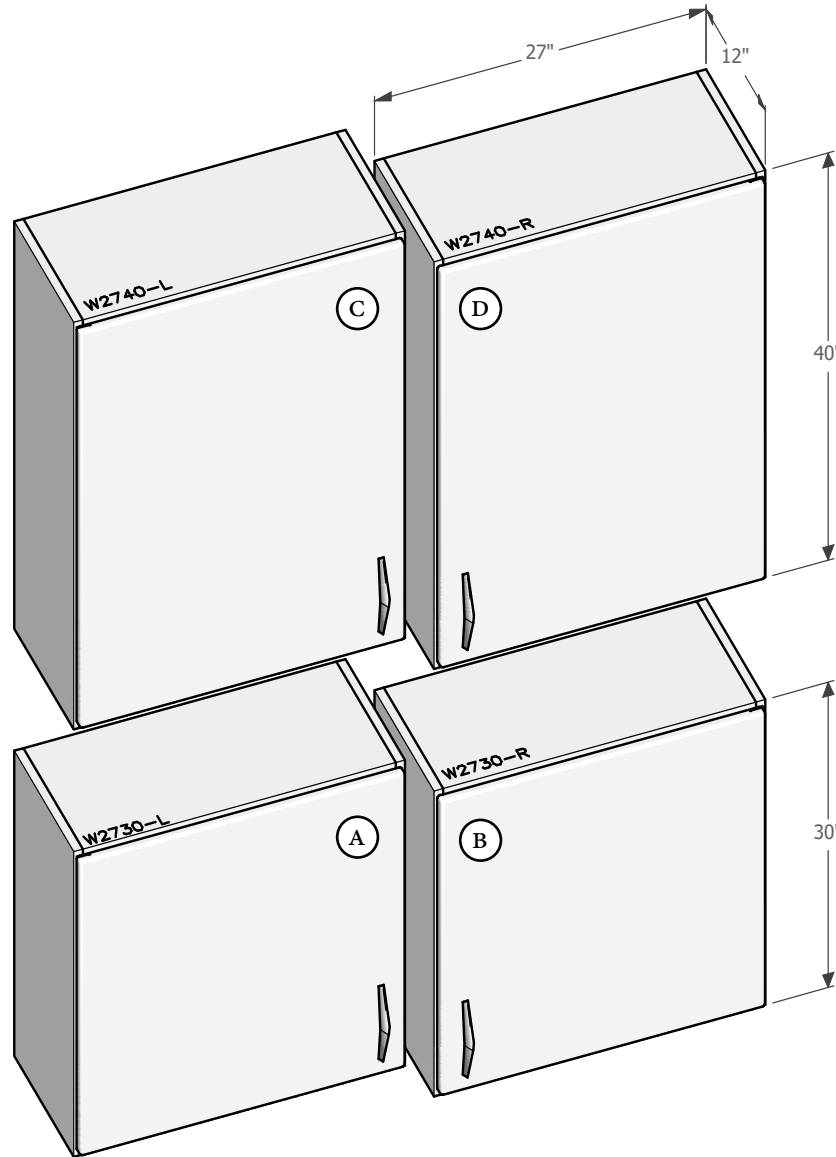
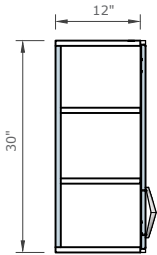
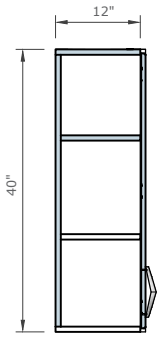
Typically available in 3" width increments, wall cabinets, also known as uppers, extend down the wall in sizes and segments as needed to fill space. Toro cabinets come in 30" and 40" heights, to allow for slightly taller appliances and under-mount lighting without effecting counter top to wall cabinet clearances.

DOORS

A/B	UD02430
C/D	UD02430



*All flat panel doors come standard with BLUMOTION soft-close hinges.



WALL 27

W2730-L/R 27X30 in | W2740-L/R 27X40 in

Typically available in 3" width increments, wall cabinets, also known as uppers, extend down the wall in sizes and segments as needed to fill space. Toro cabinets come in 30" and 40" heights, to allow for slightly taller appliances and under-mount lighting without effecting counter top to wall cabinet clearances.

DOORS

A/B	UD02730
C/D	UD02740

*All flat panel doors come standard with BLUMOTION soft-close hinges.

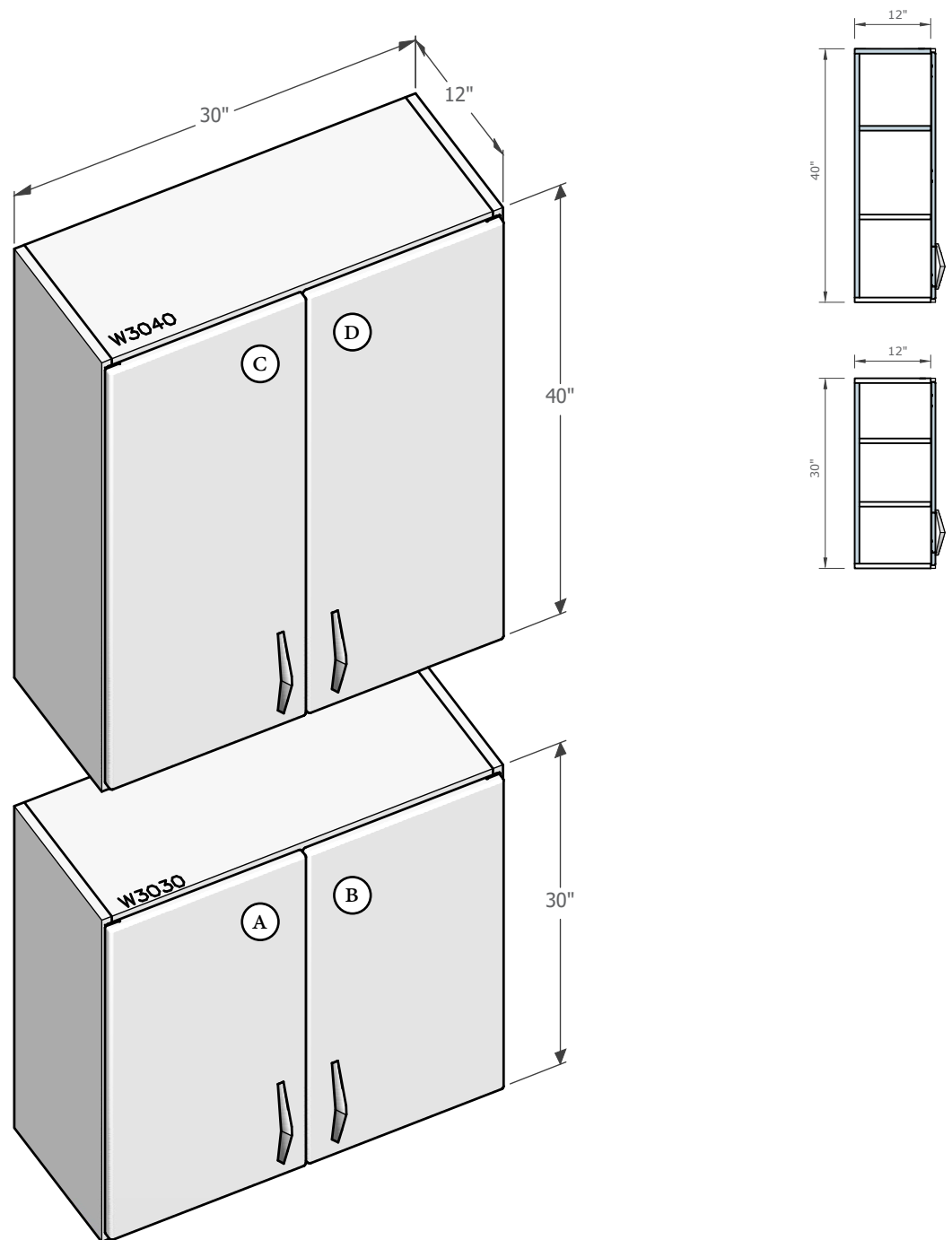
WALL 30

W3030 30X30 in | W3040 30X40 in

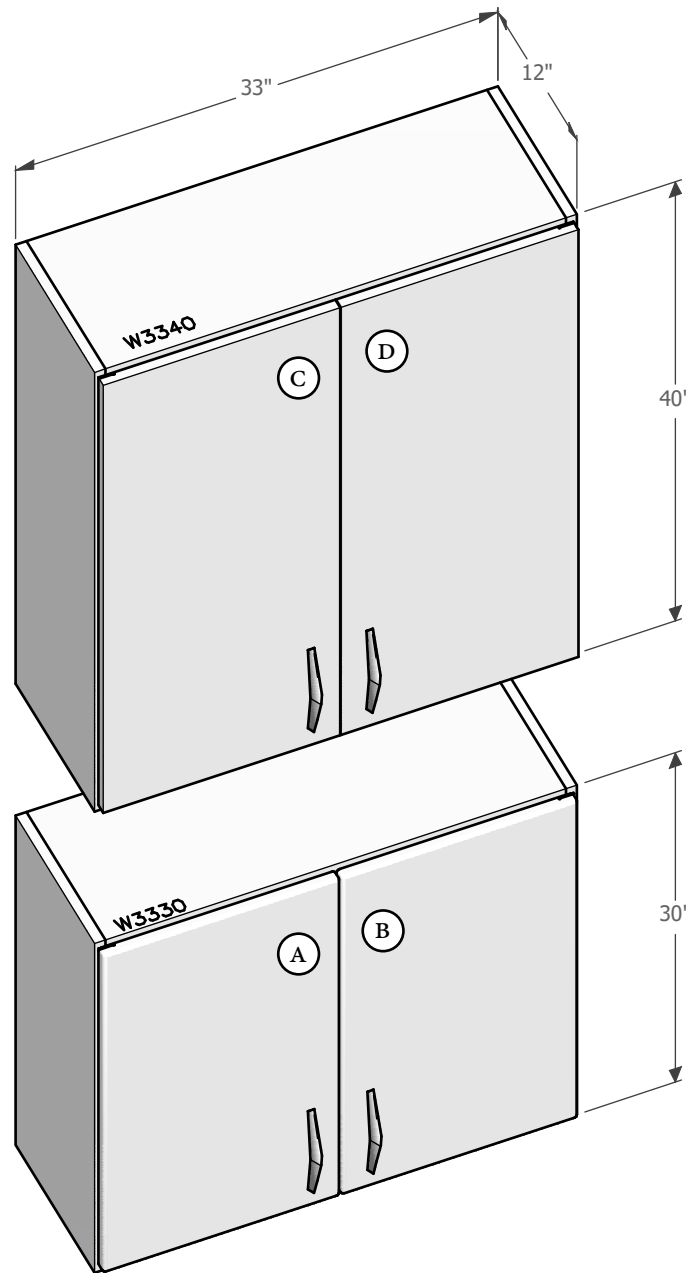
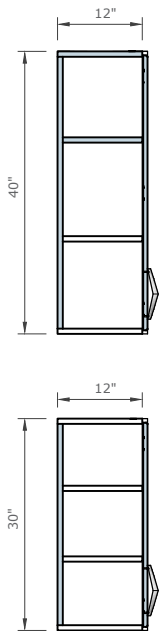
Typically available in 3" width increments, wall cabinets, also known as uppers, extend down the wall in sizes and segments as needed to fill space. Toro cabinets come in 30" and 40" heights, to allow for slightly taller appliances and under-mount lighting without effecting counter top to wall cabinet clearances.

DOORS

A/B	UDO3030
C/D	UDO3040



*All flat panel doors come standard with BLUMOTION soft-close hinges.



WALL 33

W3330 33X30 in | W3340 33X40 in

Typically available in 3" width increments, wall cabinets, also known as uppers, extend down the wall in sizes and segments as needed to fill space. Toro cabinets come in 30" and 40" heights, to allow for slightly taller appliances and under-mount lighting without effecting counter top to wall cabinet clearances.

DOORS

A/B	UD03330
C/D	UD03330

*All flat panel doors come standard with BLUMOTION soft-close hinges.

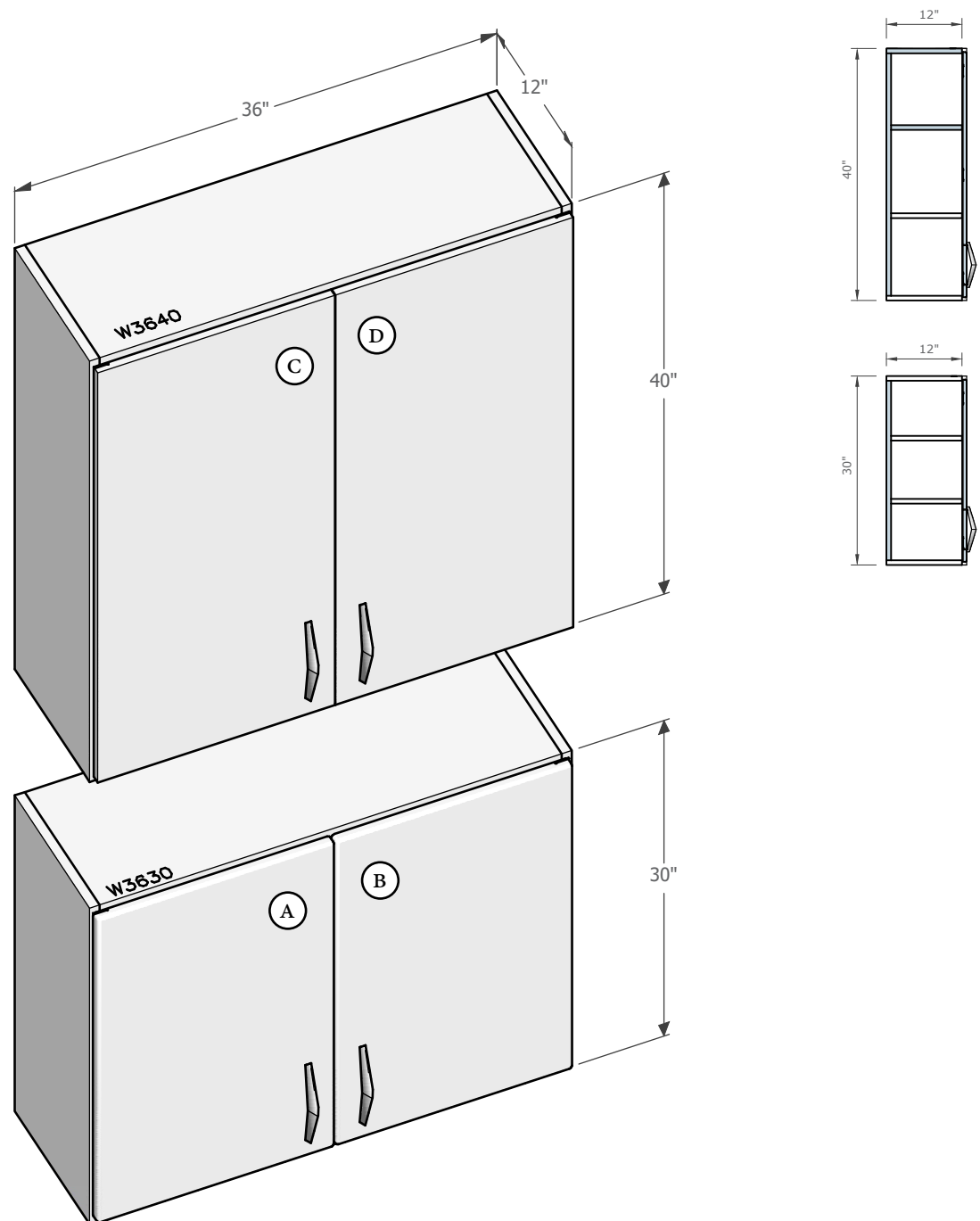
WALL 36

W3630 36X30 in | W3640 36X40 in

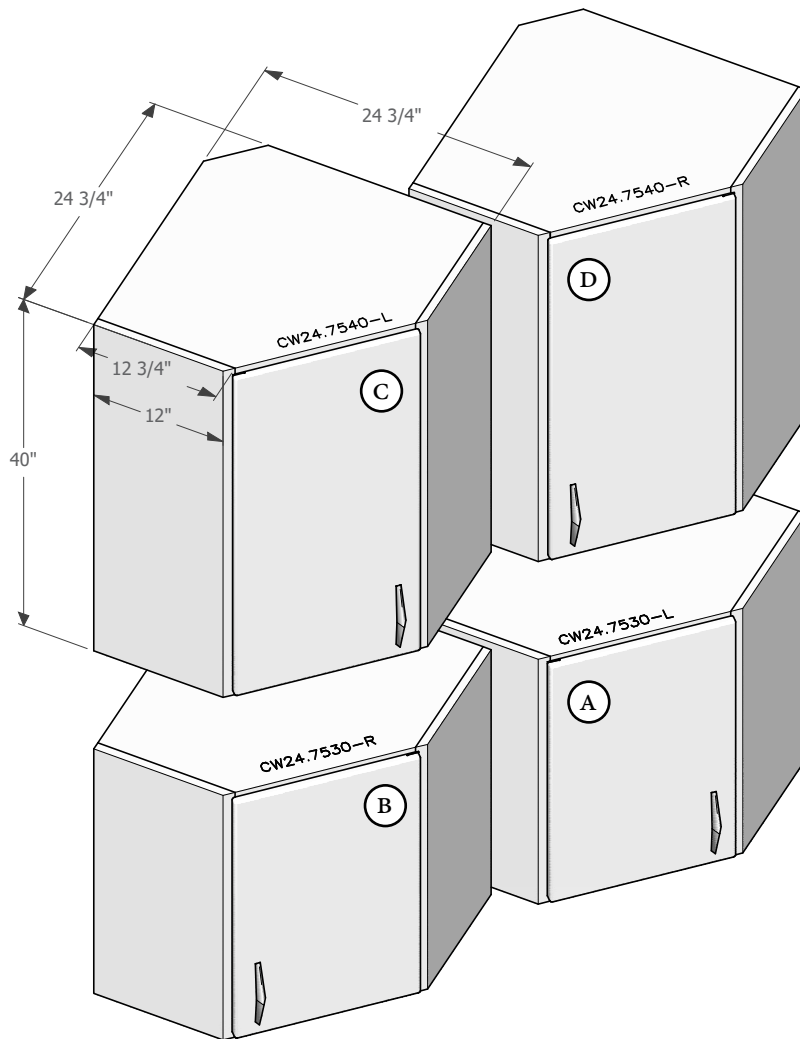
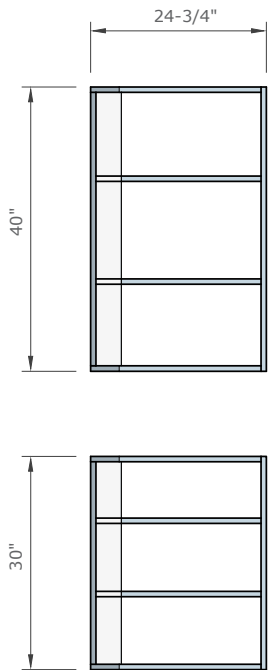
Typically available in 3" width increments, wall cabinets, also known as uppers, extend down the wall in sizes and segments as needed to fill space. Toro cabinets come in 30" and 40" heights, to allow for slightly taller appliances and under-mount lighting without effecting countertop to wall cabinet clearances.

DOORS

A/B	UD03630
C/D	UD03640



*All flat panel doors come standard with BLUMOTION soft-close hinges.



CORNER WALL 45°

CW24.7530-L/R 24.75X30 in | CW24.7540 24.75X40 in

Toro™ 45° corner cabinets are slightly wider than standard, which allows for smaller or no fillers creating a more functional and seamless transition. With their larger shelf area and ease of access, corner cabinets are a very efficient use of space.

DOORS

A/B	UDO-CW24.7530
C/D	UDO-CW24.7540

*Radius door hinges may differ from Blum hardware due to curvature.

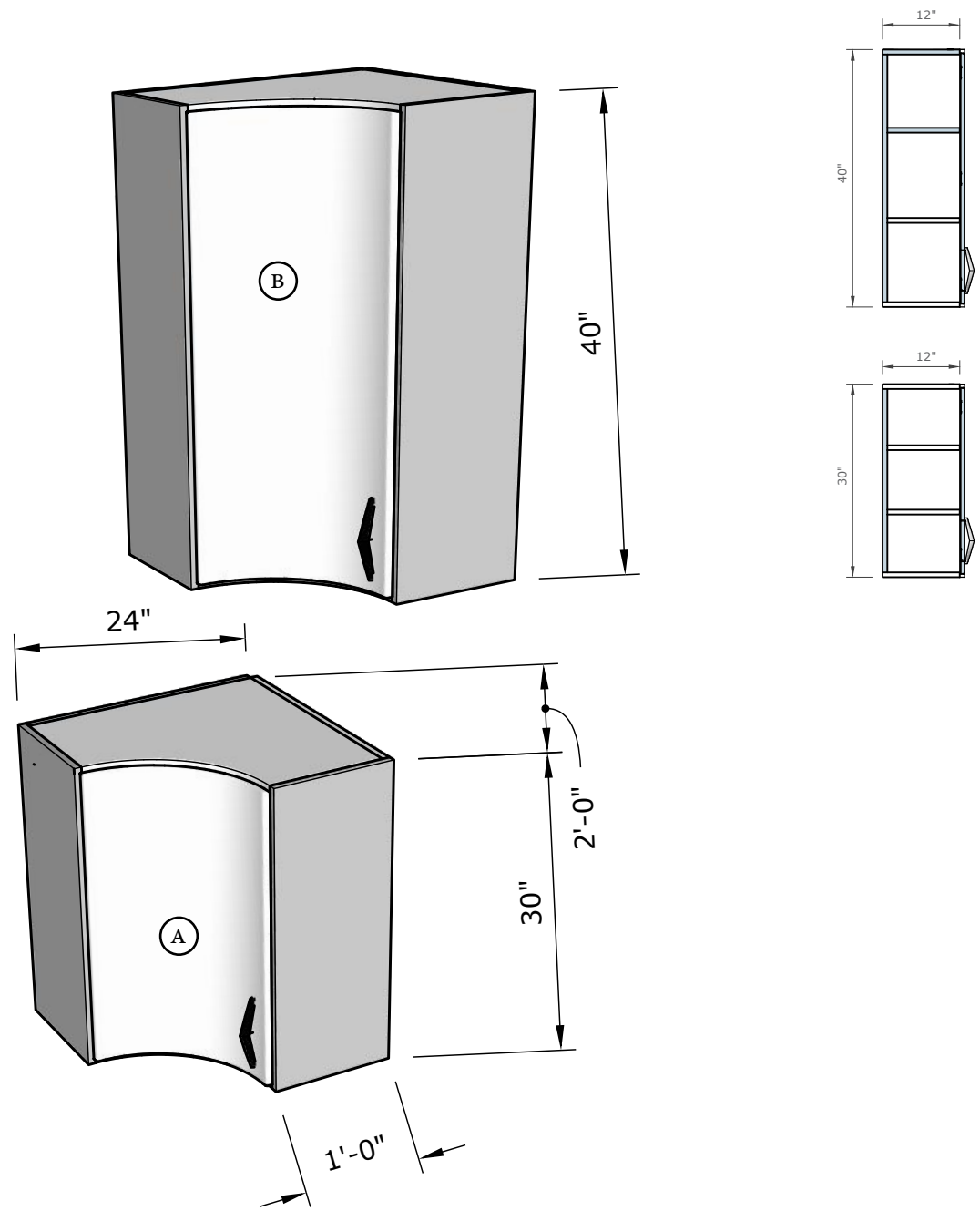
INRAD 24

INRAD2430 24X30 in | INRAD2440 24X40 in

Typically available in 3" width increments, wall cabinets, also known as uppers, extend down the wall in sizes and segments as needed to fill space. Toro cabinets come in 30" and 40" heights, to allow for slightly taller appliances and under-mount lighting without effecting countertop to wall cabinet clearances.

DOORS

A	UDOINRAD2430
B	UDOINRAD2440



*All flat panel doors come standard with BLUMOTION soft-close hinges.



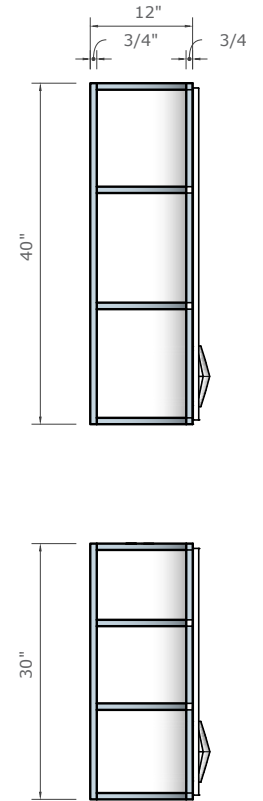
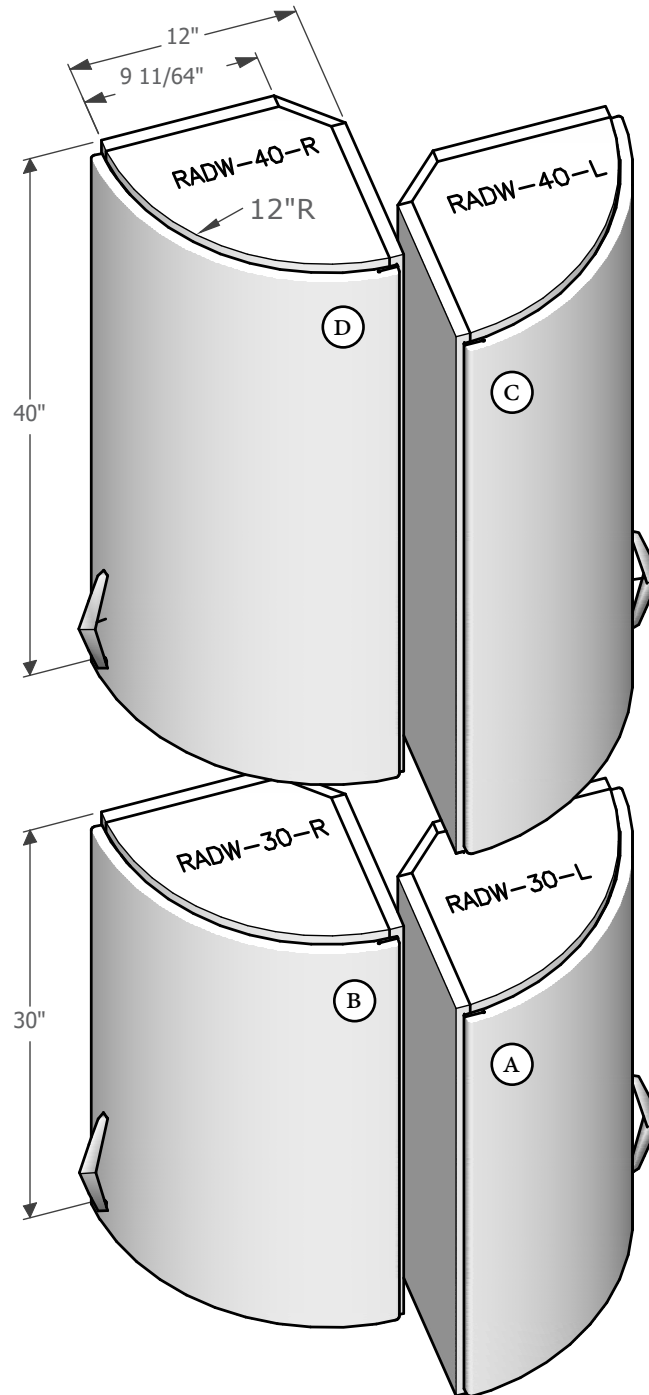
RADIUS WALL

RADW-30-L/R 12X30 in | RADW-40-L/R 12X40 in

Our radius cabinets are the flagship of the Toro line. Wall Radius cabinets lend a smooth and interesting aesthetic to any space. These roll formed sheet metal doors will make your kitchen stand out with a quiet "pop" that is unique to Toro's metal crafted doors. They are the perfect way to cap an end of a row of upper cabinets also adding a nice taper to a window.

DOORS

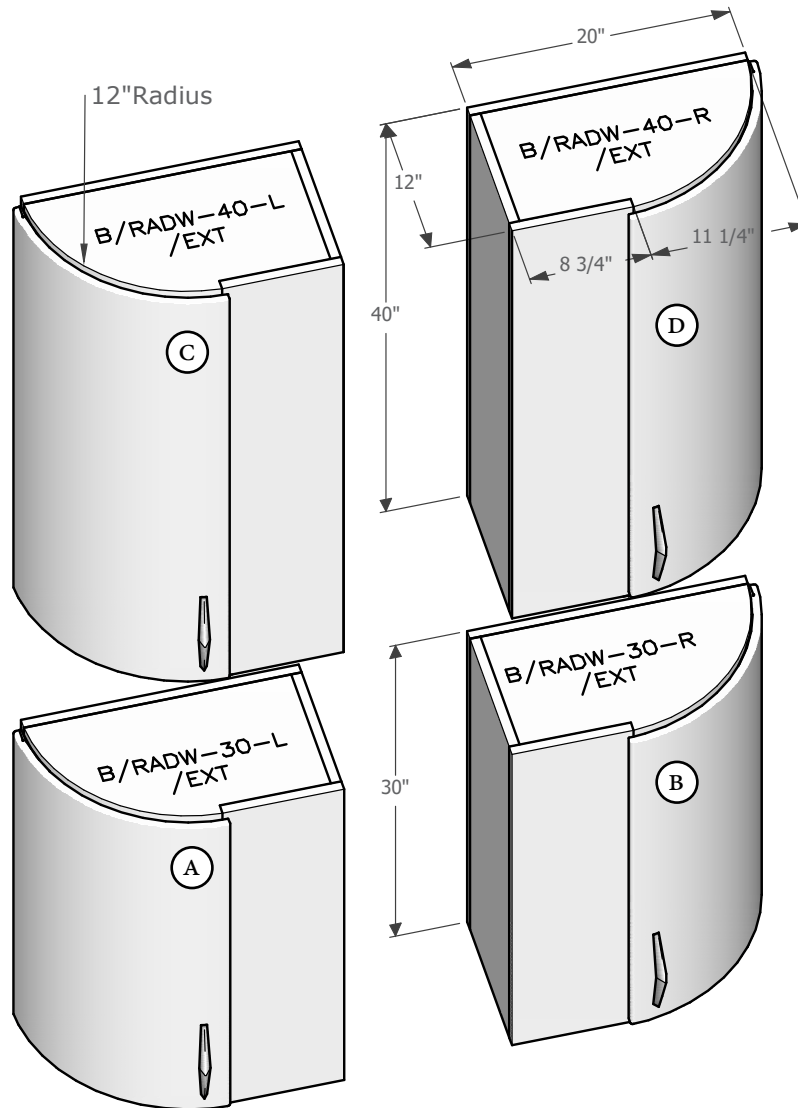
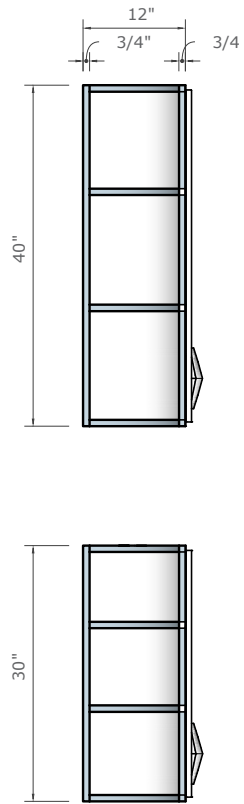
A/B	UDO-RADW-30
C/D	UDO-RADW-40



*Radius door hinges may differ from Blum hardware due to curvature.

BLIND RADIUS WALL EXTENDED

B/RADW-30-(L/R)/EXT 12X30 in | B/RADW-40-(L/R)/EXT 12X40 in



Our radius cabinets are the flagship of the Toro line. Wall Radius cabinets lend a smooth and interesting aesthetic to any space. These roll formed sheet metal doors will make your kitchen stand out with a quiet “pop” that is unique to Toro’s metal crafted doors. They are the perfect way to cap an end of a row of upper cabinets also adding a nice taper to a window.

DOORS

A/B	UDO-RADW-30
C/D	UDO-RADW-40

*All flat panel doors come standard with BLUMOTION soft-close hinges.

DRAWER BASES



30



Drawer Base 12

31



Drawer Base 15

32



Drawer Base 18

33



Drawer Base 21

34



Drawer Base 24

35



Drawer Base 27

36



Drawer Base 30

37



Drawer Base 33

38



Drawer Base 36

39



Drawer Base 39

40



Drawer Base 42

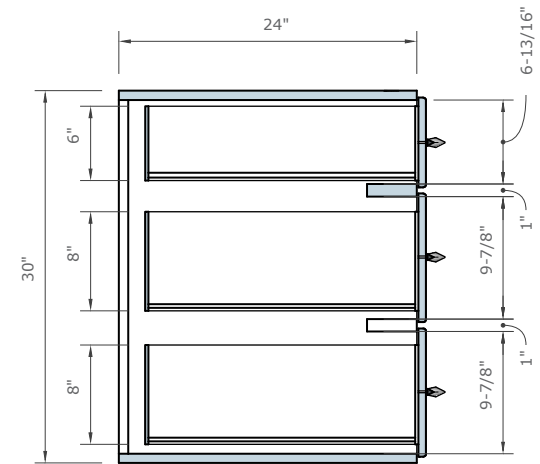
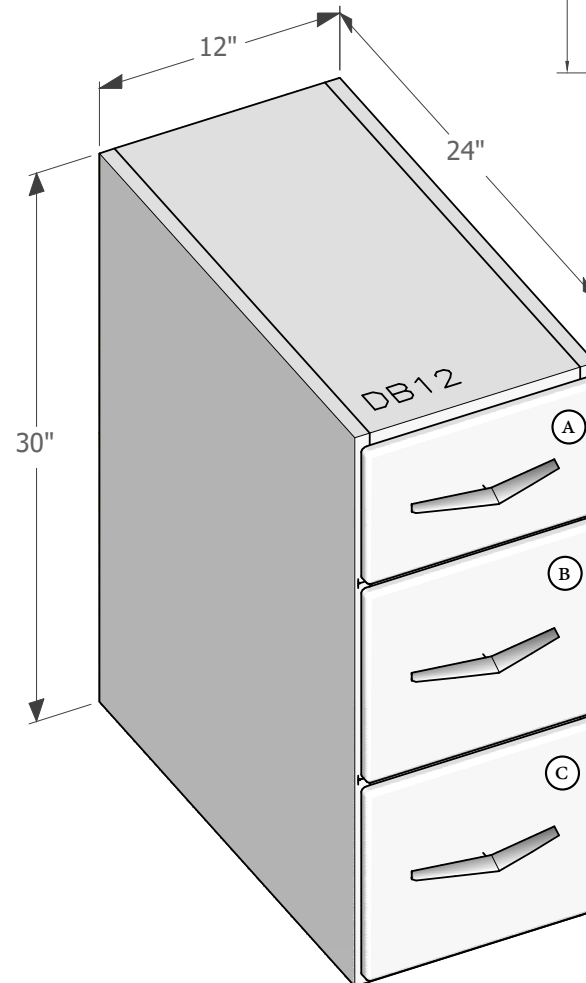
DRAWER BASE 12

DB12 12X30 in

Toro's drawer bases are simple and strong both visually and structurally. We have chosen to provide a three drawer base. Allowing for a slightly deeper top drawer and two deep lower drawers. They come standard with deep drawers allowing for pots, pans, and plate pegs or other after-market cabinet installations to be held securely.

DOORS

A	TDR12
B/C	BDR12



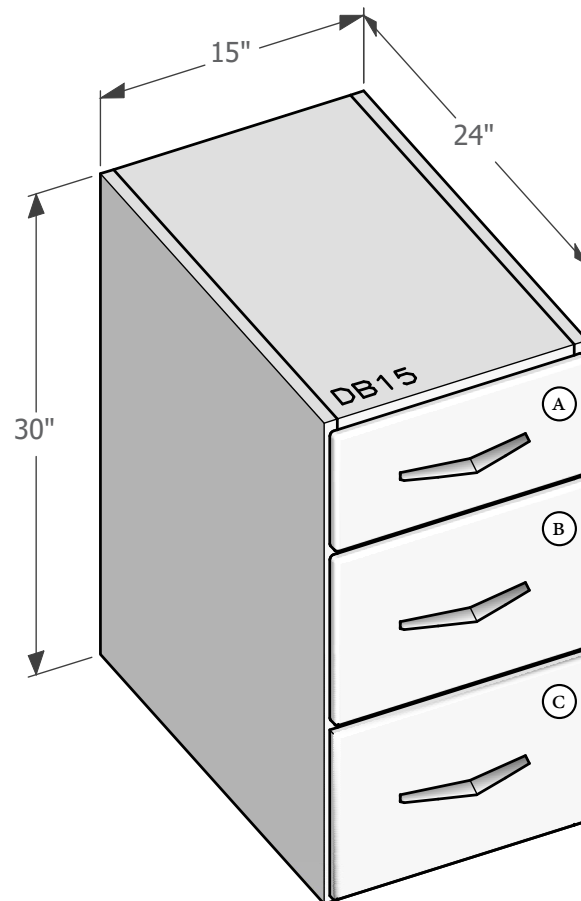
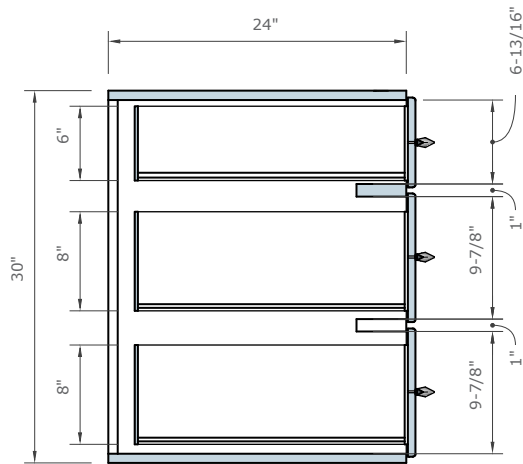
*BLUMOTION soft close, high-grade, undermount drawer slides come standard.

*Drawer boxes are made with all-wood dovetail construction.

DRAWER BASE 15

DB15 15X30 in

Toro's drawer bases are simple and strong both visually and structurally. We have chosen to provide a three drawer base. Allowing for a slightly deeper top drawer and two deep lower drawers. They come standard with deep drawers allowing for pots, pans, and plate pegs or other after-market cabinet installations to be held securely.



DOORS

A	TDR15
B/C	BDR15

*BLUMOTION soft close, high-grade, under-mount drawer slides come standard.

*Drawer boxes are made with all-wood dovetail construction.

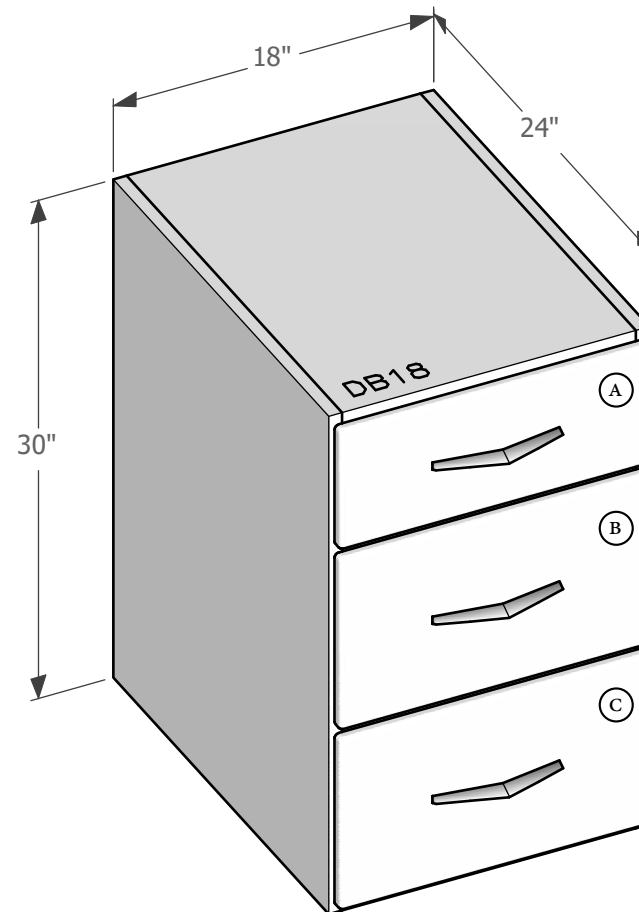
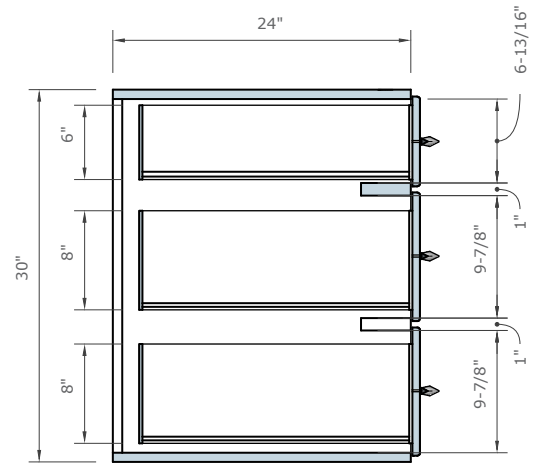
DRAWER BASE 18

DB18 18X30 in

Toro's drawer bases are simple and strong both visually and structurally. We have chosen to provide a three drawer base. Allowing for a slightly deeper top drawer and two deep lower drawers. They come standard with deep drawers allowing for pots, pans, and plate pegs or other after-market cabinet installations to be held securely.

DOORS

A	TDR18
B/C	BDR18



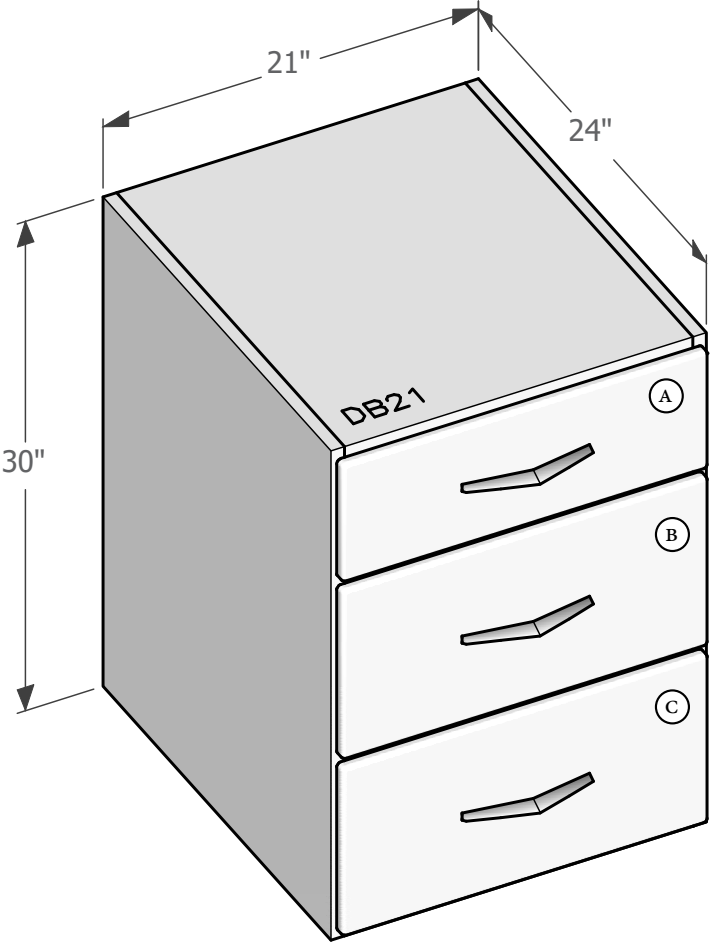
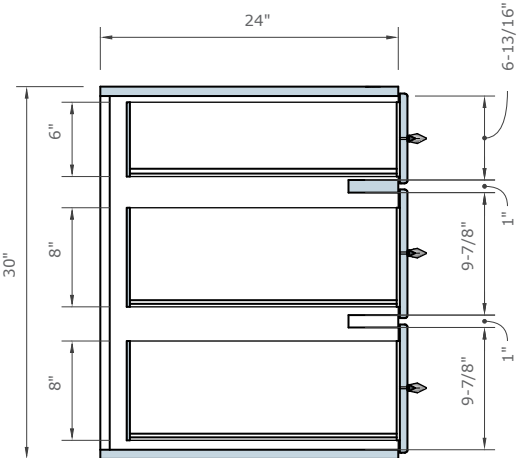
*BLUMOTION soft close, high-grade, undermount drawer slides come standard.

*Drawer boxes are made with all-wood dovetail construction.

DRAWER BASE 21

DB21 21X30 in

Toro's drawer bases are simple and strong both visually and structurally. We have chosen to provide a three drawer base. Allowing for a slightly deeper top drawer and two deep lower drawers. They come standard with deep drawers allowing for pots, pans, and plate pegs or other after-market cabinet installations to be held securely.



DOORS	
A	TDR21
B/C	BDR21

*BLUMOTION soft close, high-grade, under-mount drawer slides come standard.
 *Drawer boxes are made with all-wood dovetail construction.

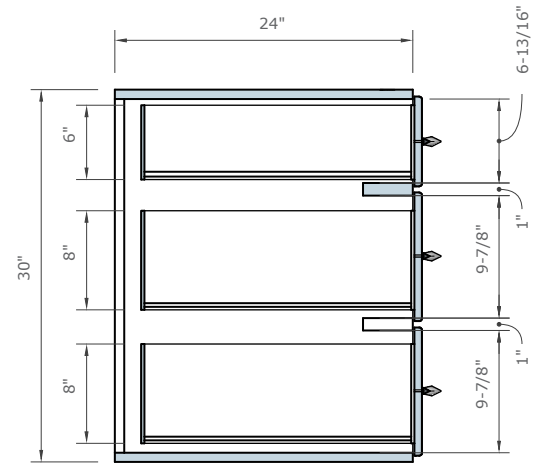
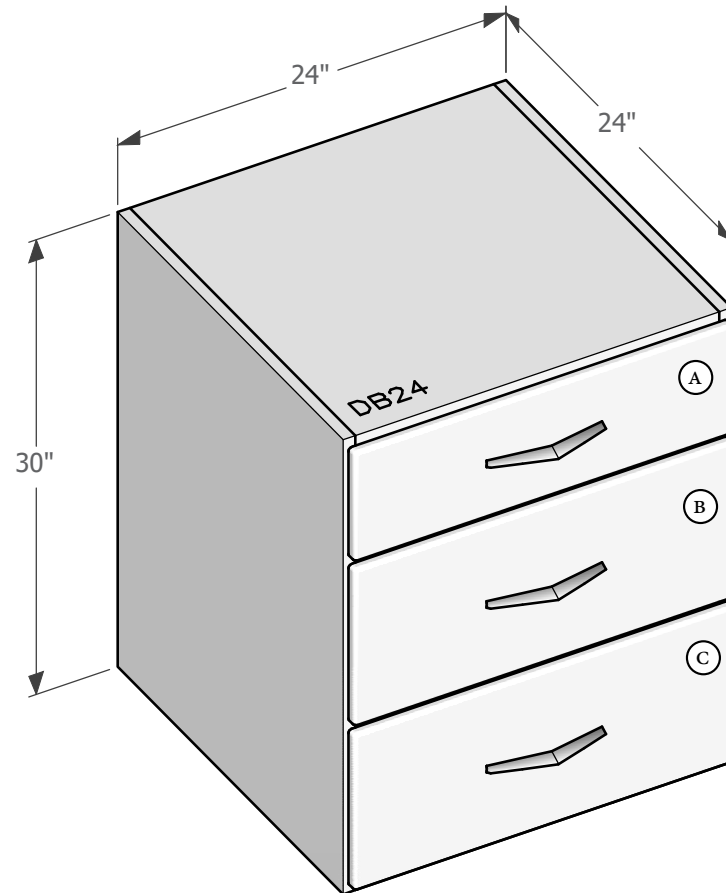
DRAWER BASE 24

DB24 24X30 in

Toro's drawer bases are simple and strong both visually and structurally. We have chosen to provide a three drawer base. Allowing for a slightly deeper top drawer and two deep lower drawers. They come standard with deep drawers allowing for pots, pans, and plate pegs or other after-market cabinet installations to be held securely.

DOORS

A	TDR24
B/C	BDR24



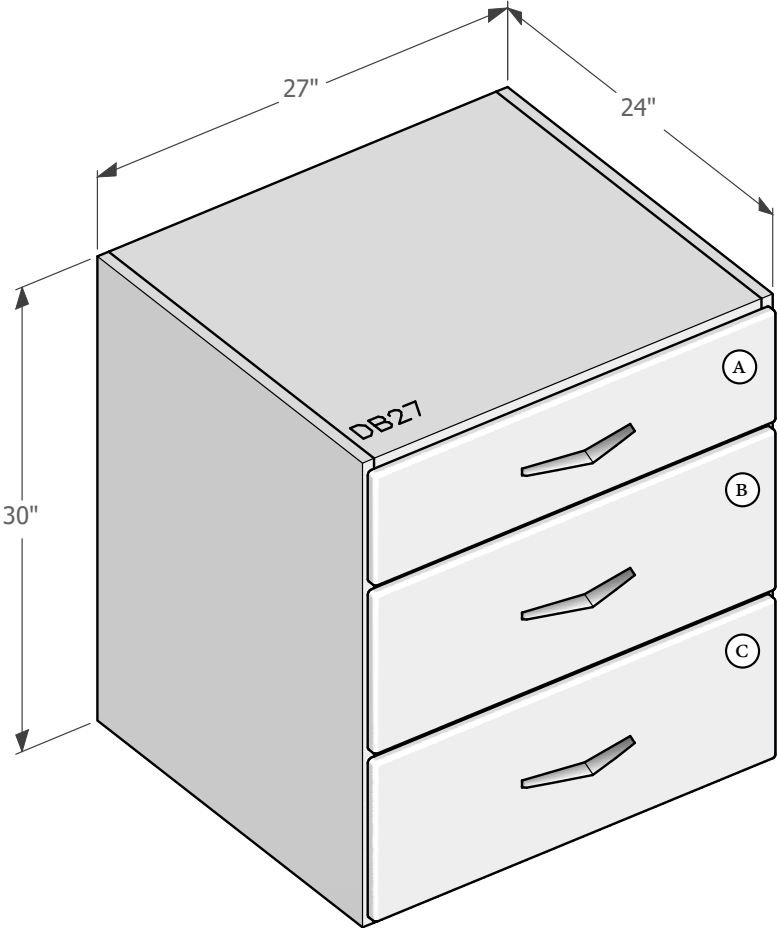
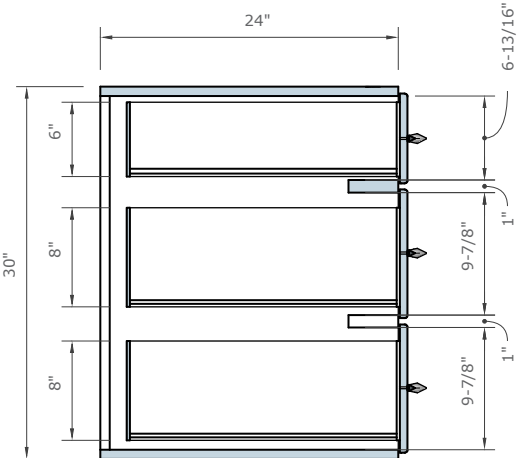
*BLUMOTION soft close, high-grade, undermount drawer slides come standard.

*Drawer boxes are made with all-wood dovetail construction.

DRAWER BASE 27

DB27 27X30 in

Toro's drawer bases are simple and strong both visually and structurally. We have chosen to provide a three drawer base. Allowing for a slightly deeper top drawer and two deep lower drawers. They come standard with deep drawers allowing for pots, pans, and plate pegs or other after-market cabinet installations to be held securely.



DOORS	
A	TDR27
B/C	BDR27

*BLUMOTION soft close, high-grade, under-mount drawer slides come standard.

*Drawer boxes are made with all-wood dovetail construction.

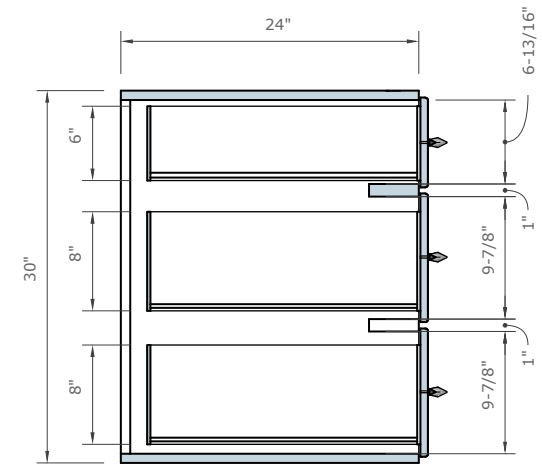
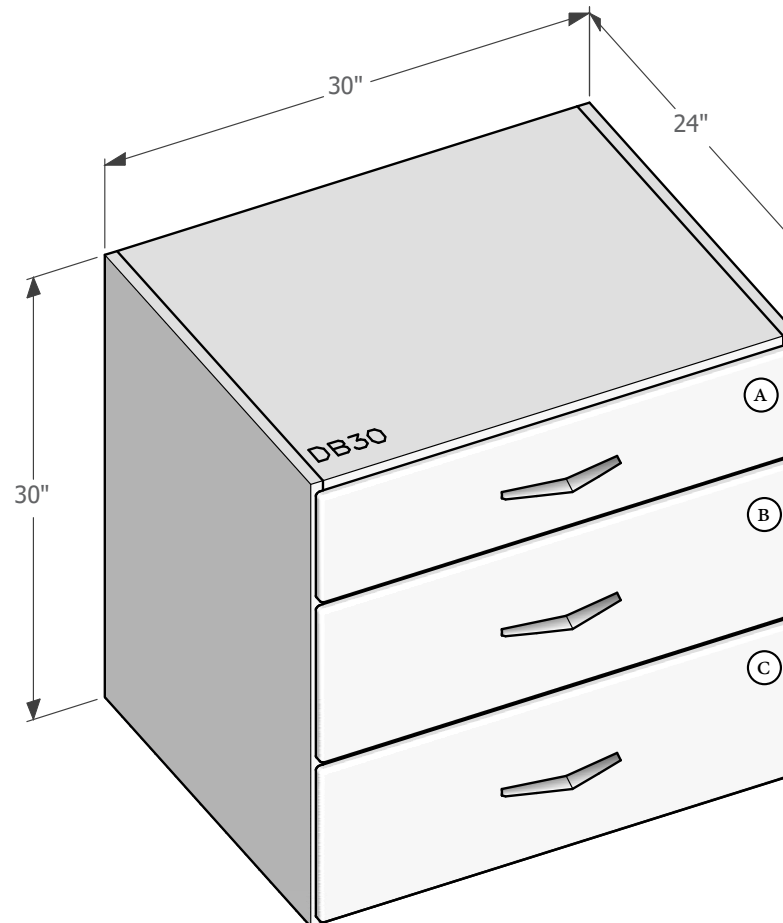
DRAWER BASE 30

DB30 30X30 in

Toro's drawer bases are simple and strong both visually and structurally. We have chosen to provide a three drawer base. Allowing for a slightly deeper top drawer and two deep lower drawers. They come standard with deep drawers allowing for pots, pans, and plate pegs or other after-market cabinet installations to be held securely.

DOORS

A	TDR30
B/C	BDR30



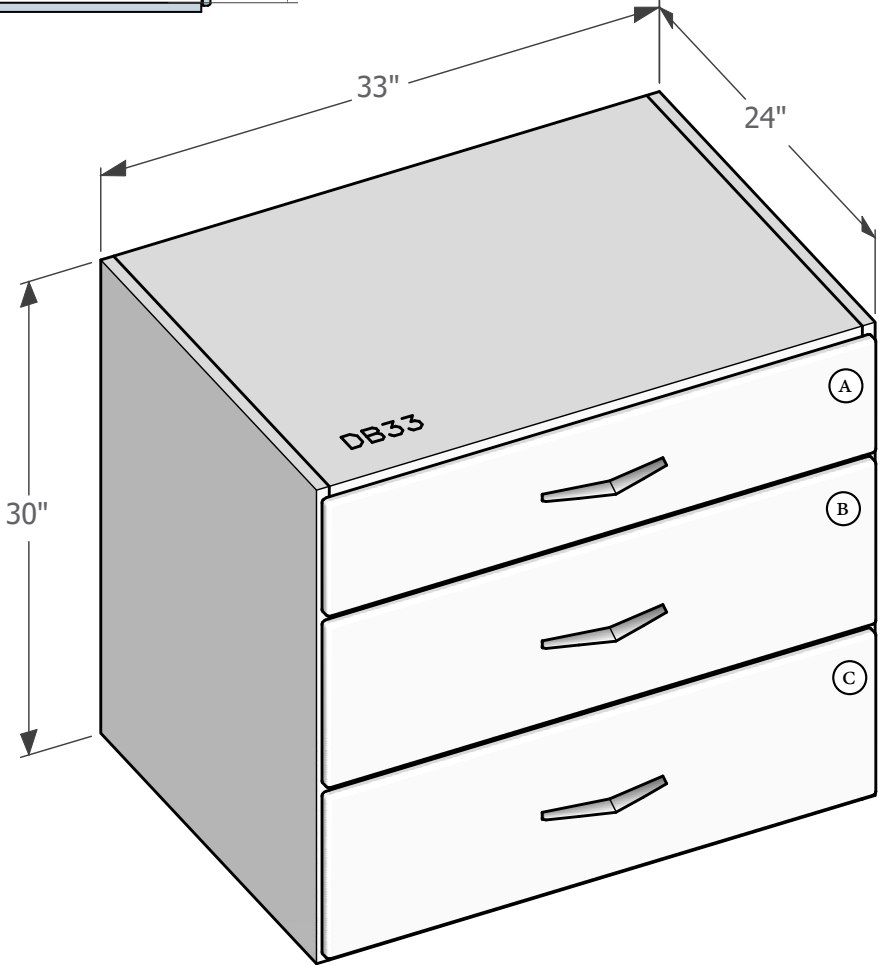
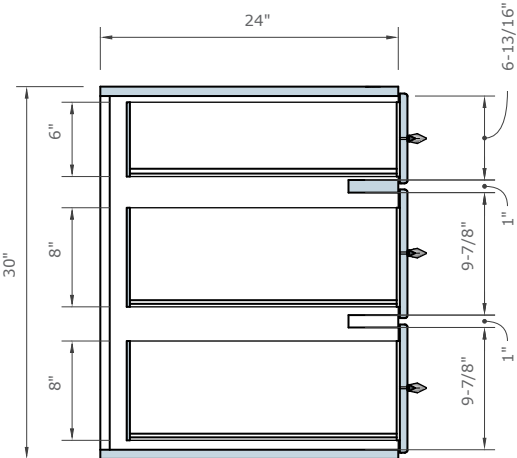
*BLUMOTION soft close, high-grade, undermount drawer slides come standard.

*Drawer boxes are made with all-wood dovetail construction.

DRAWER BASE 33

DB33 33X30 in

Toro's drawer bases are simple and strong both visually and structurally. We have chosen to provide a three drawer base. Allowing for a slightly deeper top drawer and two deep lower drawers. They come standard with deep drawers allowing for pots, pans, and plate pegs or other after-market cabinet installations to be held securely.



DOORS	
A	TDR33
B/C	BDR33

*BLUMOTION soft close, high-grade, under-mount drawer slides come standard.

*Drawer boxes are made with all-wood dovetail construction.

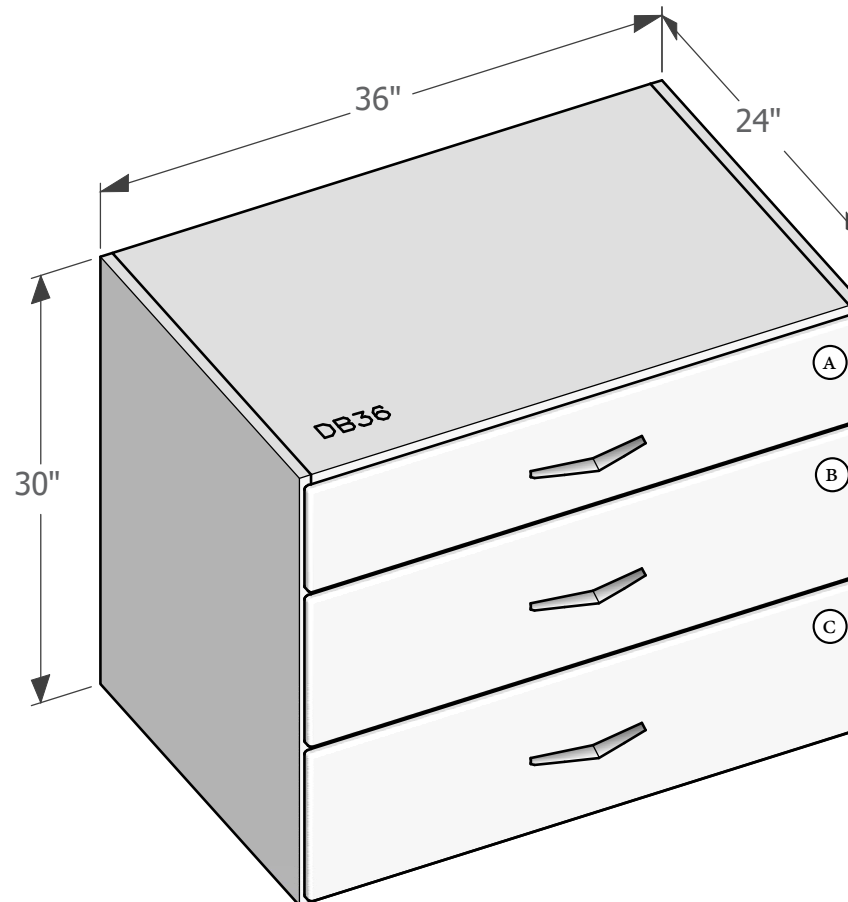
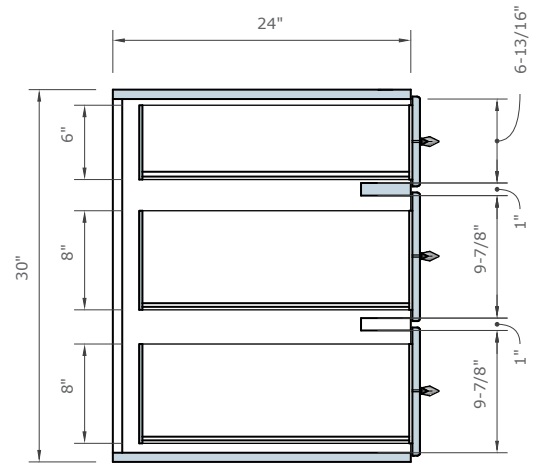
DRAWER BASE 36

DB36 36X30 in

Toro's drawer bases are simple and strong both visually and structurally. We have chosen to provide a three drawer base. Allowing for a slightly deeper top drawer and two deep lower drawers. They come standard with deep drawers allowing for pots, pans, and plate pegs or other after-market cabinet installations to be held securely.

DOORS

A	TDR36
B/C	BDR36



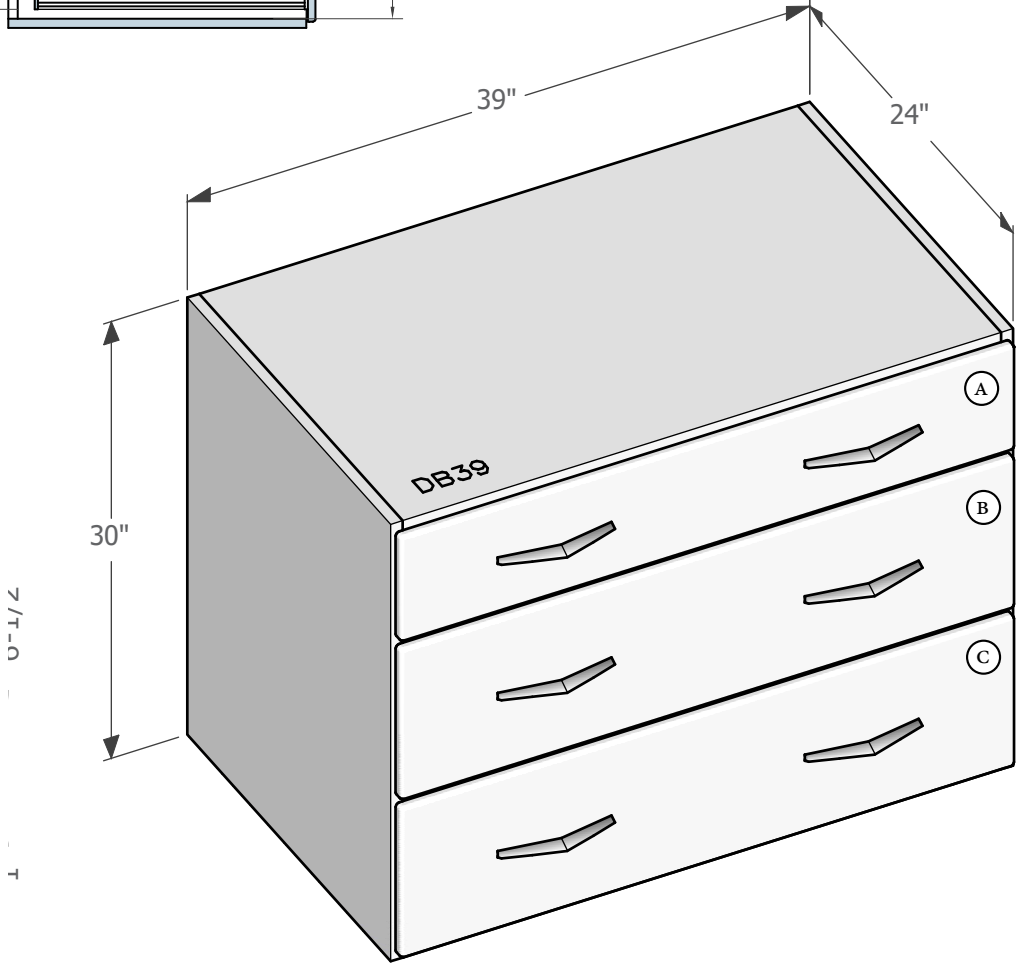
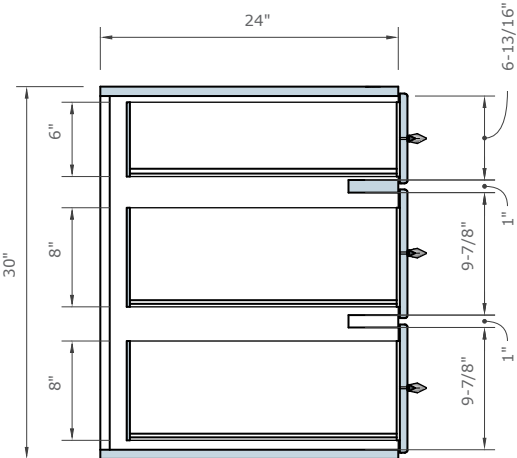
*BLUMOTION soft close, high-grade, undermount drawer slides come standard.

*Drawer boxes are made with all-wood dovetail construction.

DRAWER BASE 39

DB39 39X30 in

Toro's drawer bases are simple and strong both visually and structurally. We have chosen to provide a three drawer base. Allowing for a slightly deeper top drawer and two deep lower drawers. They come standard with deep drawers allowing for pots, pans, and plate pegs or other after-market cabinet installations to be held securely.



DOORS	
A	TDR39
B/C	BDR39

*BLUMOTION soft close, high-grade, under-mount drawer slides come standard.

*Drawer boxes are made with all-wood dovetail construction.

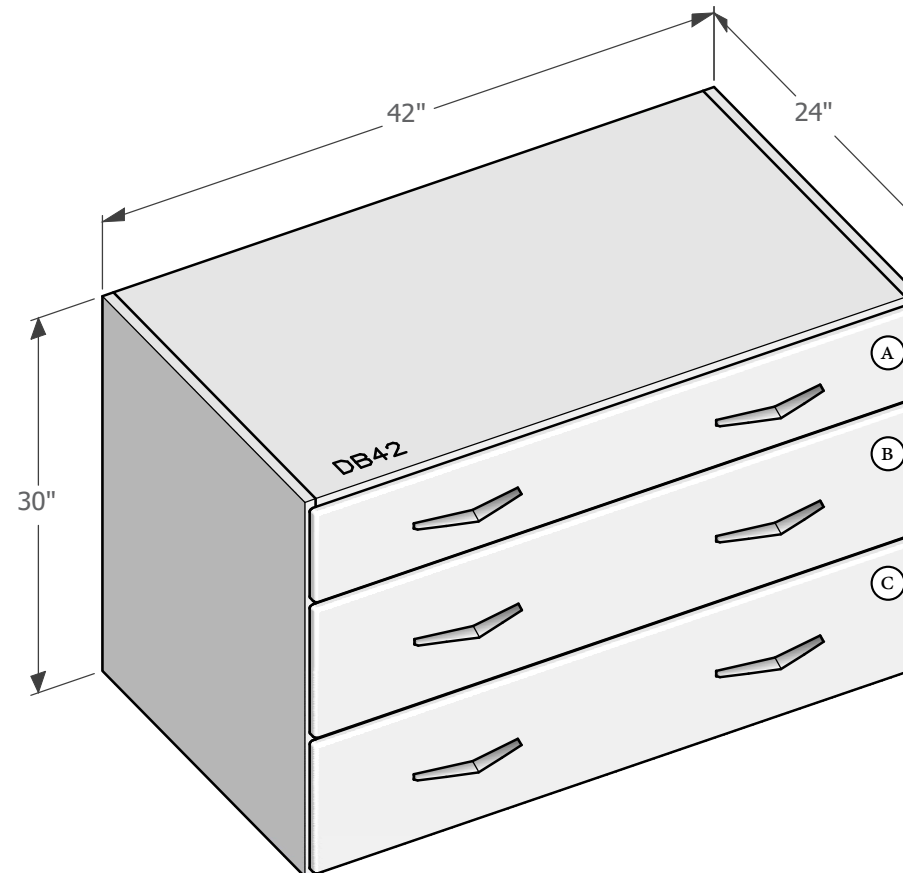
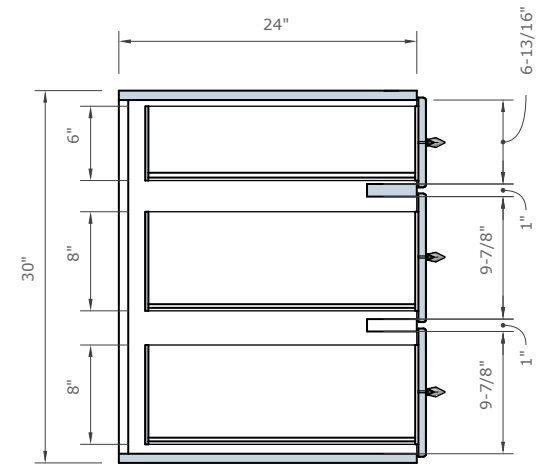
DRAWER BASE 42

DB42 42X30 in

Toro's drawer bases are simple and strong both visually and structurally. We have chosen to provide a three drawer base. Allowing for a slightly deeper top drawer and two deep lower drawers. They come standard with deep drawers allowing for pots, pans, and plate pegs or other after-market cabinet installations to be held securely.

DOORS

A	TDR42
B/C	BDR42



*BLUMOTION soft close, high-grade, undermount drawer slides come standard.

*Drawer boxes are made with all-wood dovetail construction.



BASE CABINETS

43



Base 09

44



Base 12

45



Base 15

46



Base 18

47



Base 21

48



Base 24

49



Base 27

50



Base 30

51



Base 33

52



Base 36

53



Base 39

54



Base 42

55



Blind Base 36

56



Blind Base 42

57



Inside Corner Base
36

58



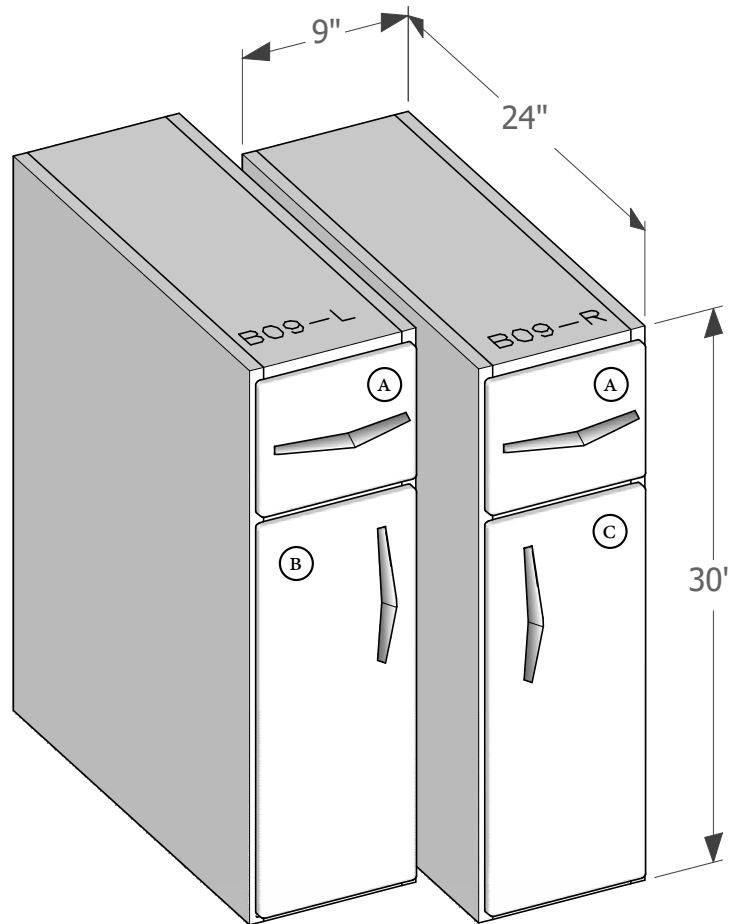
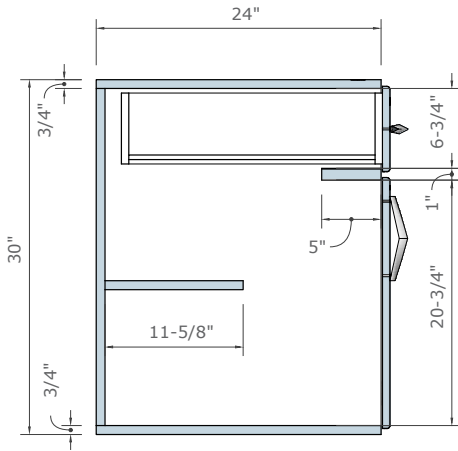
Base Radius 24
2 Door

B09

B09-L/R 9X30 in

Toro's base cabinets have a slightly deeper top drawer to accommodate larger utensils. The cabinet interior is a smooth factory-grade maple finish with a bit of color character.

There is a single inside adjustable height half shelf.



DOORS

A	TDR09
B/C	BD009

- *BLUMOTION soft close, high-grade, under-mount drawer slides come standard.
- *Drawer boxes are made with all-wood dovetail construction.
- *All flat panel doors come standard with BLUMOTION soft-close hinges.

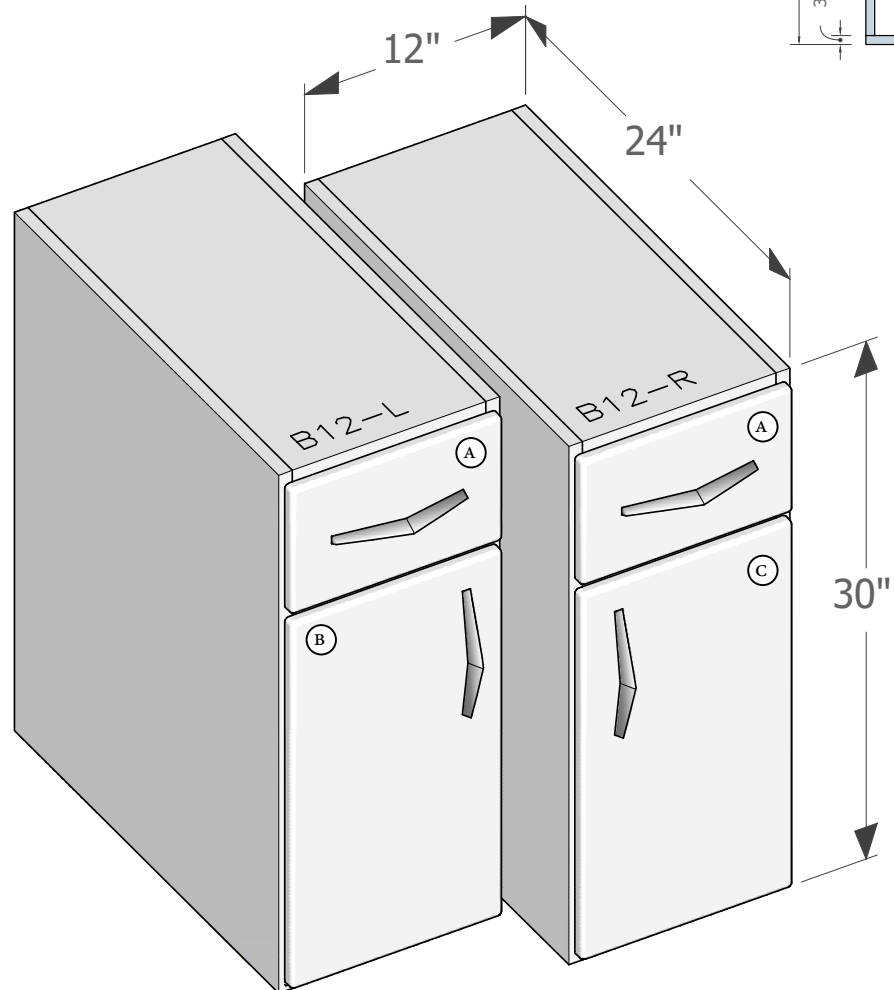
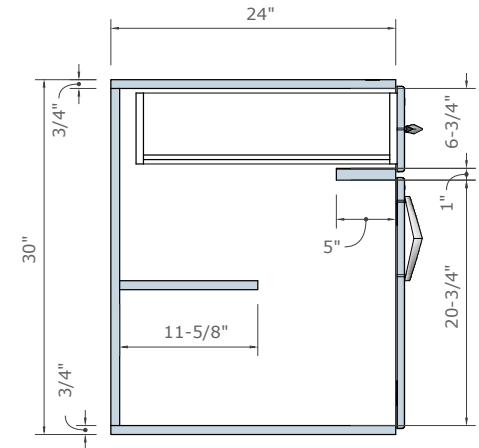
BASE 12

B12-L/R 12X30 in

Toro's base cabinets have a slightly deeper top drawer to accommodate larger utensils. The cabinet interior is a smooth factory-grade maple finish with a bit of color character. There is a single inside adjustable height half shelf.

DOORS

A	TDR12
B/C	BD012



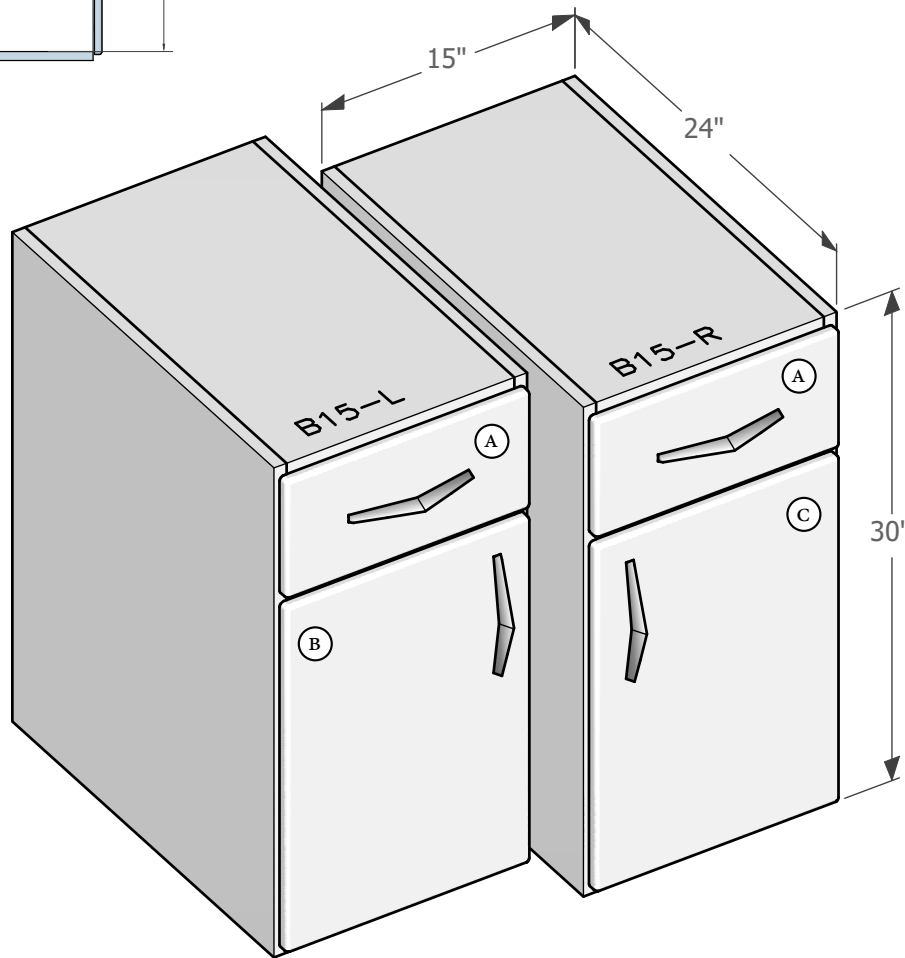
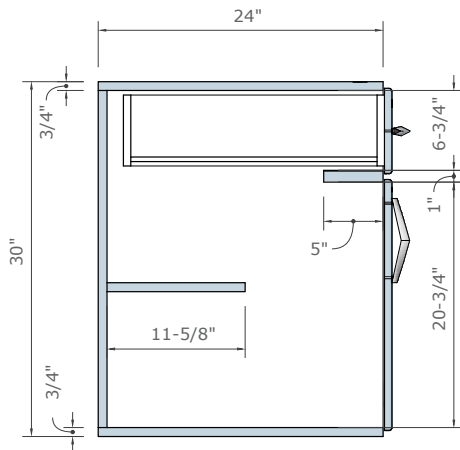
- *BLUMOTION soft close, high-grade, under-mount drawer slides come standard.
- *Drawer boxes are made with all-wood dovetail construction.
- *All flat panel doors come standard with BLUMOTION soft-close hinges.

BASE 15

B15-L/R 15X30 in

Toro's base cabinets have a slightly deeper top drawer to accommodate larger utensils. The cabinet interior is a smooth factory-grade maple finish with a bit of color character.

There is a single inside adjustable height half shelf.



DOORS

A	TDR15
B/C	BD015

- *BLUMOTION soft close, high-grade, under-mount drawer slides come standard.
- *Drawer boxes are made with all-wood dovetail construction.
- *All flat panel doors come standard with BLUMOTION soft-close hinges.

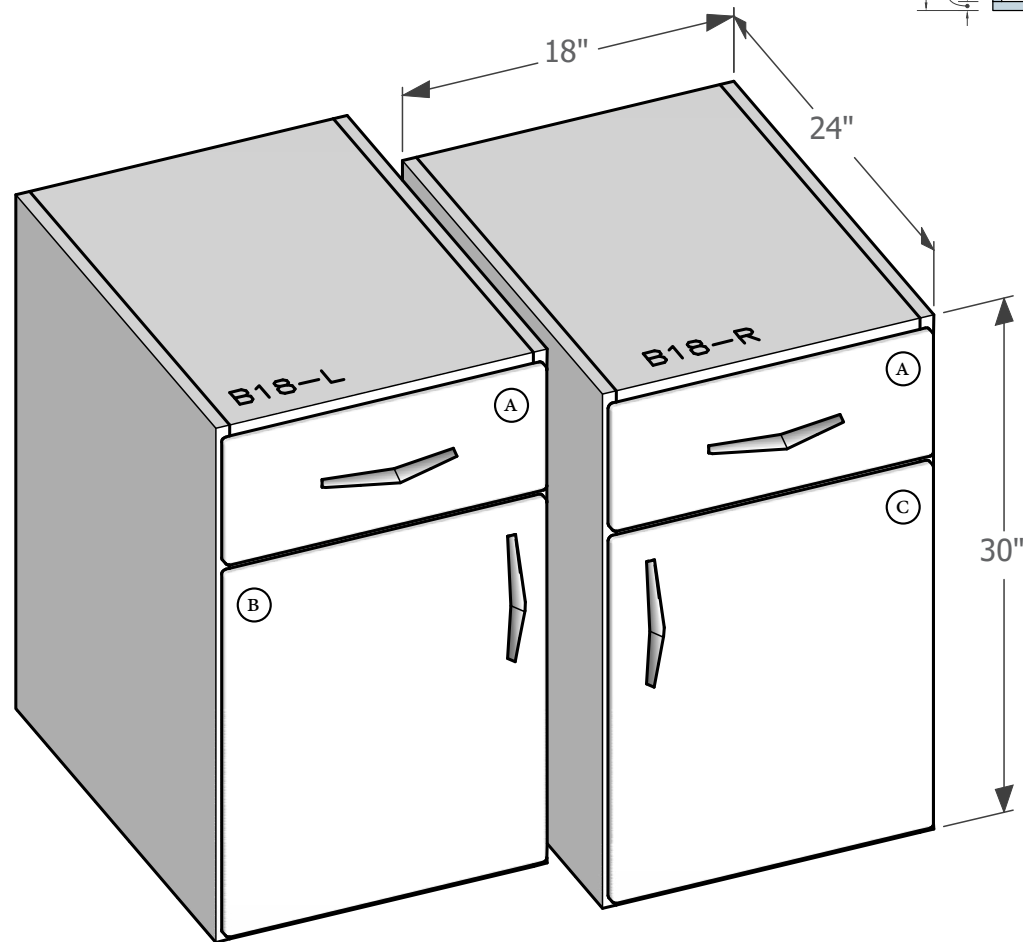
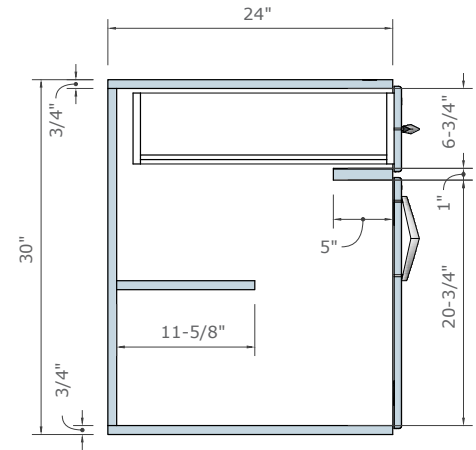
BASE 18

B18-L/R 18X30 in

Toro's base cabinets have a slightly deeper top drawer to accommodate larger utensils. The cabinet interior is a smooth factory-grade maple finish with a bit of color character. There is a single inside adjustable height half shelf.

DOORS

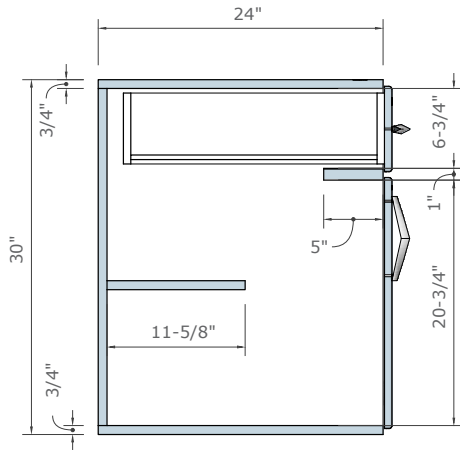
A	TDR18
B/C	BDO18



- *BLUMOTION soft close, high-grade, under-mount drawer slides come standard.
- *Drawer boxes are made with all-wood dovetail construction.
- *All flat panel doors come standard with BLUMOTION soft-close hinges.

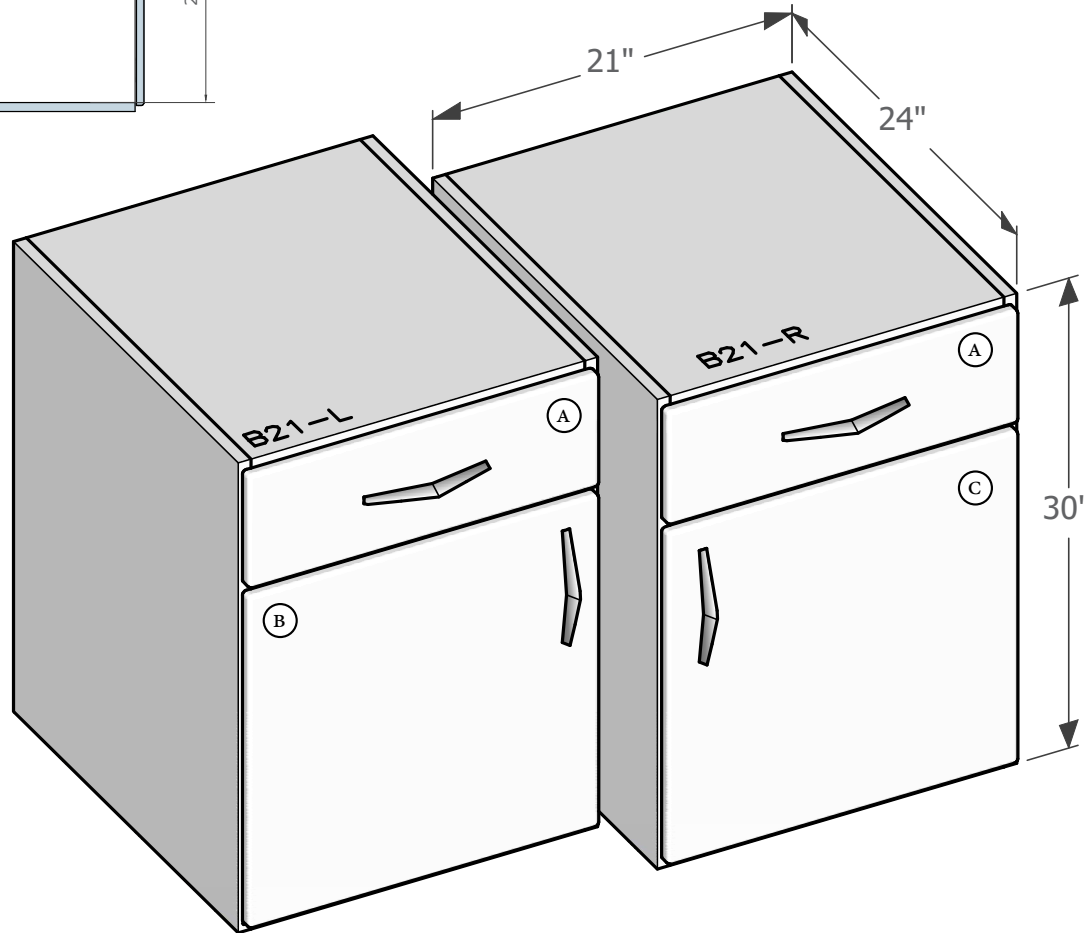
BASE 21

B21-L/R 21X30 in



Toro's base cabinets have a slightly deeper top drawer to accommodate larger utensils. The cabinet interior is a smooth factory-grade maple finish with a bit of color character.

There is a single inside adjustable height half shelf.



DOORS

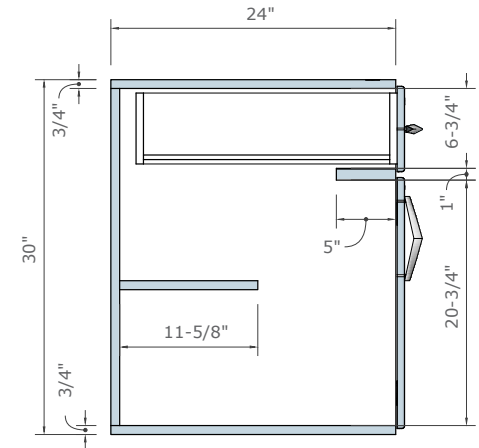
A	TDR21
B/C	BD021

- *BLUMOTION soft close, high-grade, under-mount drawer slides come standard.
- *Drawer boxes are made with all-wood dovetail construction.
- *All flat panel doors come standard with BLUMOTION soft-close hinges.

BASE 24

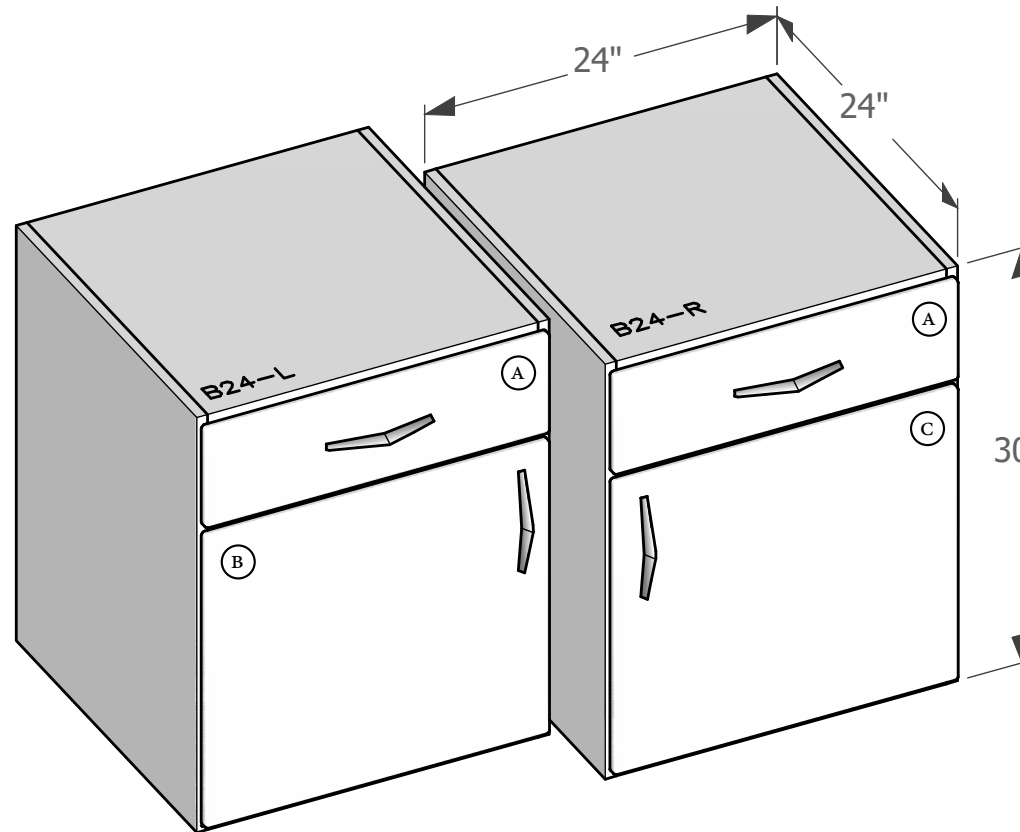
B24-L/R 24X30 in

Toro's base cabinets have a slightly deeper top drawer to accommodate larger utensils. The cabinet interior is a smooth factory-grade maple finish with a bit of color character. There is a single inside adjustable height half shelf.



DOORS

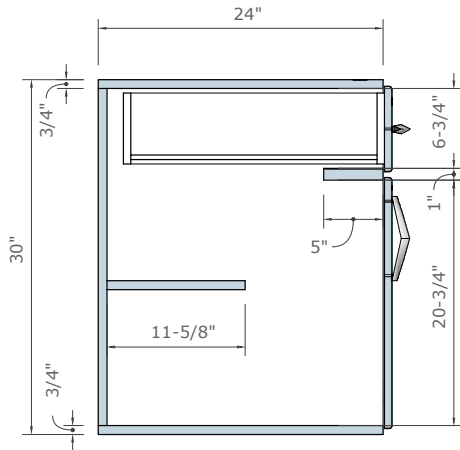
A	TDR24
B/C	BDO24



- *BLUMOTION soft close, high-grade, under-mount drawer slides come standard.
- *Drawer boxes are made with all-wood dovetail construction.
- *All flat panel doors come standard with BLUMOTION soft-close hinges.

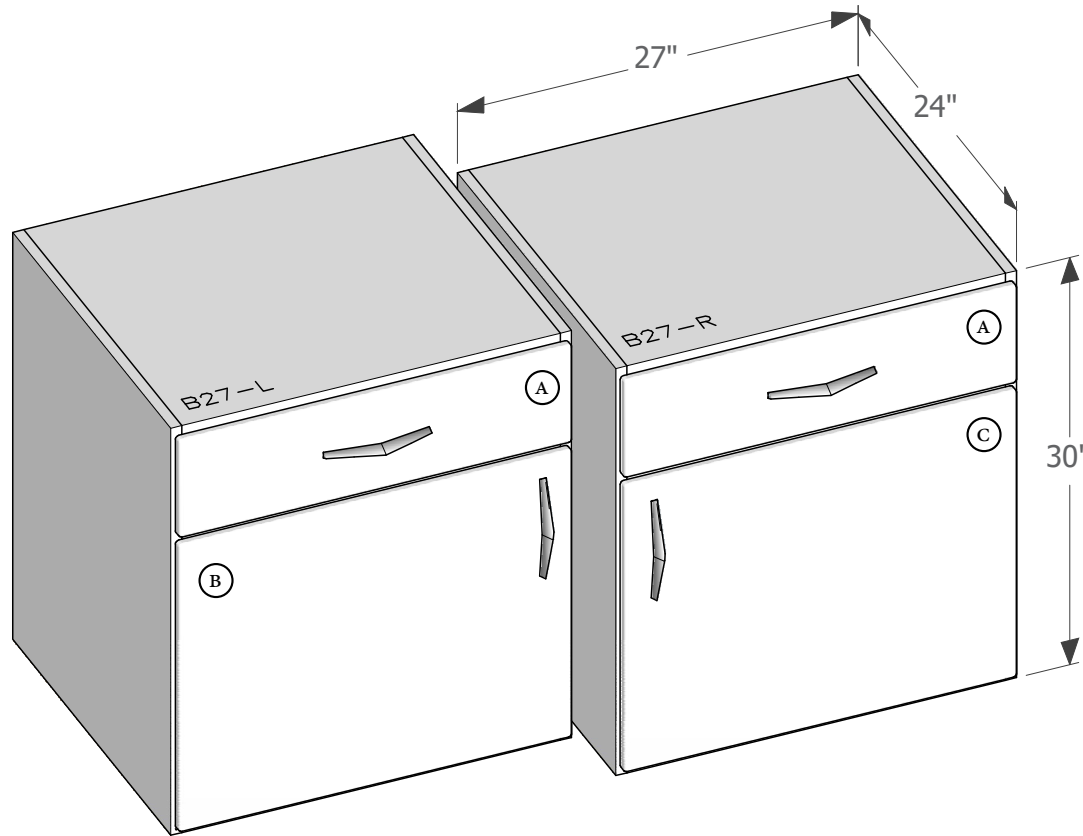
BASE 27

B27-L/R 27X30 in



Toro's base cabinets have a slightly deeper top drawer to accommodate larger utensils. The cabinet interior is a smooth factory-grade maple finish with a bit of color character.

There is a single inside adjustable height half shelf.



DOORS

A	TDR27
B/C	BD027

- *BLUMOTION soft close, high-grade, under-mount drawer slides come standard.
- *Drawer boxes are made with all-wood dovetail construction.
- *All flat panel doors come standard with BLUMOTION soft-close hinges.

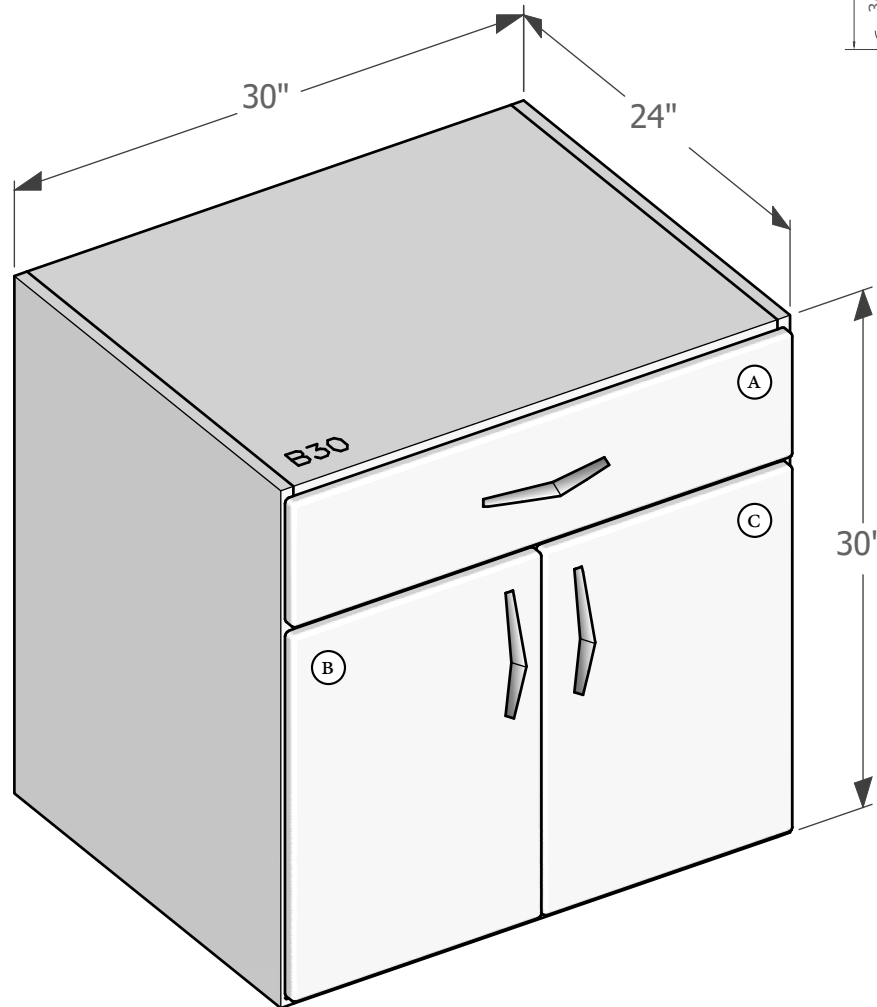
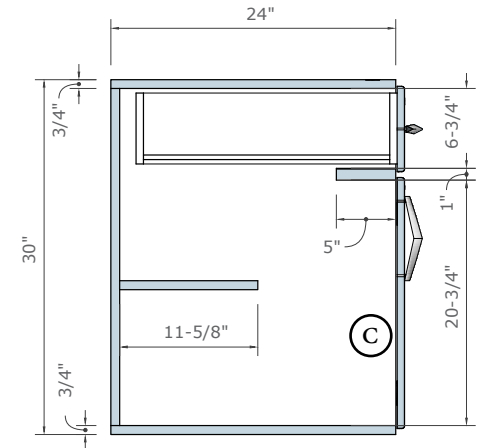
BASE 30

B30 30X30 in

Toro's base cabinets have a slightly deeper top drawer to accommodate larger utensils. The cabinet interior is a smooth factory-grade maple finish with a bit of color character. There is a single inside adjustable height half shelf.

DOORS

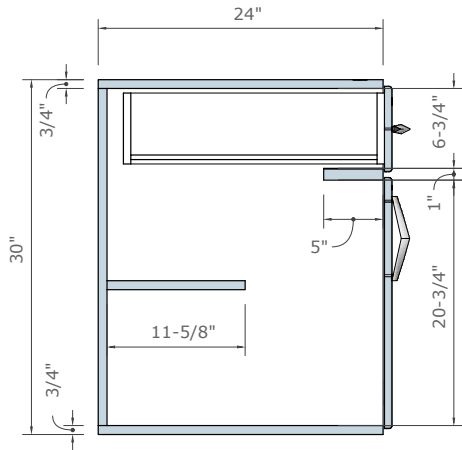
A	TDR30
B/C	BDO30



- *BLUMOTION soft close, high-grade, under-mount drawer slides come standard.
- *Drawer boxes are made with all-wood dovetail construction.
- *All flat panel doors come standard with BLUMOTION soft-close hinges.

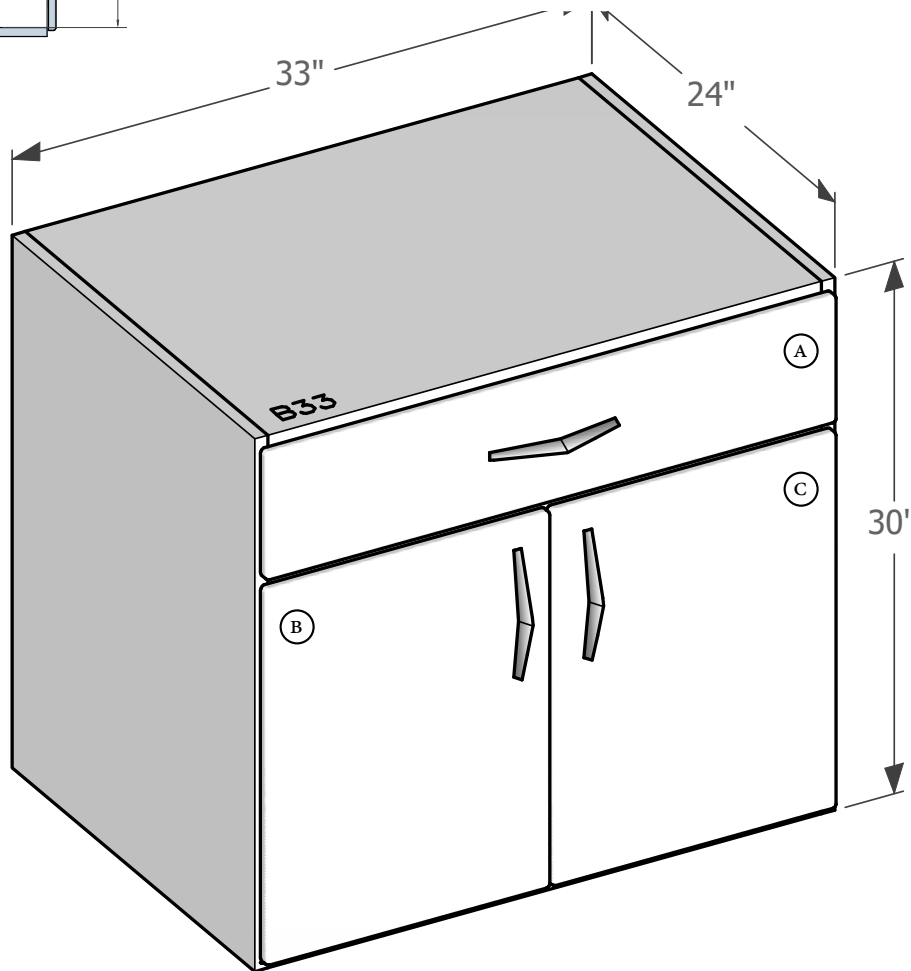
BASE 33

B33 33X30 in



Toro's base cabinets have a slightly deeper top drawer to accommodate larger utensils. The cabinet interior is a smooth factory-grade maple finish with a bit of color character.

There is a single inside adjustable height half shelf.



DOORS

A	TDR33
B/C	BD033

- *BLUMOTION soft close, high-grade, under-mount drawer slides come standard.
- *Drawer boxes are made with all-wood dovetail construction.
- *All flat panel doors come standard with BLUMOTION soft-close hinges.

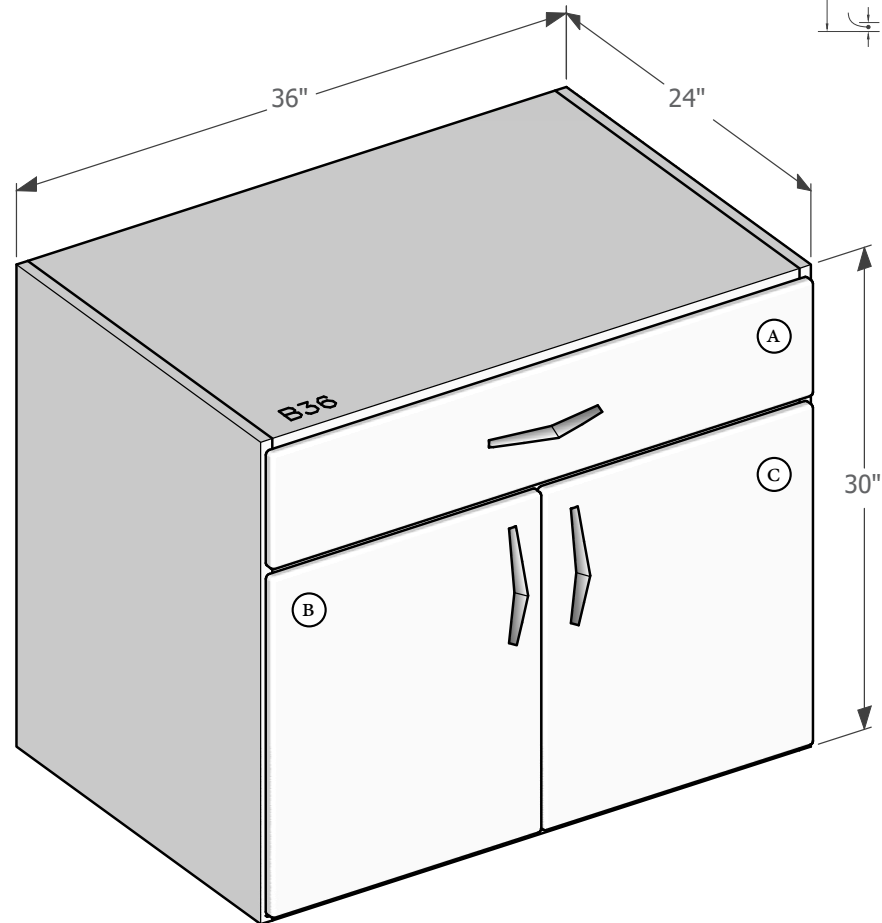
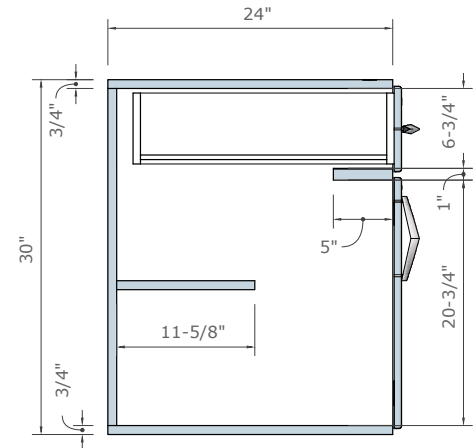
BASE 36

B36 36X30 in

Toro's base cabinets have a slightly deeper top drawer to accommodate larger utensils. The cabinet interior is a smooth factory-grade maple finish with a bit of color character. There is a single inside adjustable height half shelf.

DOORS

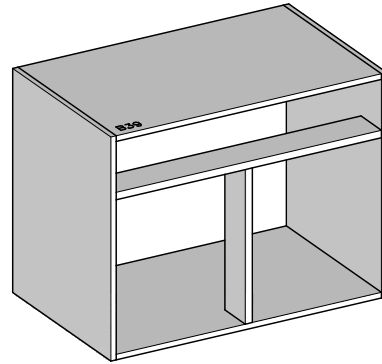
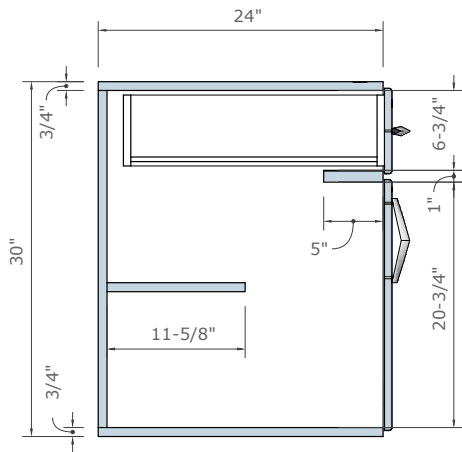
A	TDR36
B/C	BD036



- *BLUMOTION soft close, high-grade, under-mount drawer slides come standard.
- *Drawer boxes are made with all-wood dovetail construction.
- *All flat panel doors come standard with BLUMOTION soft-close hinges.

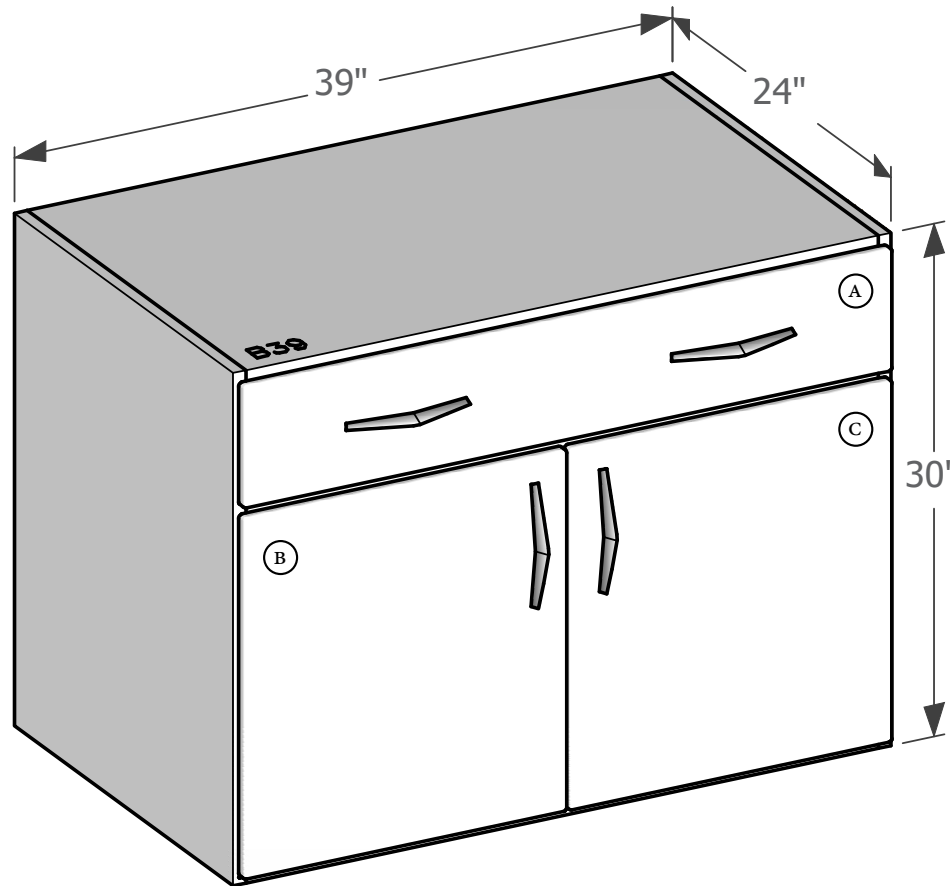
BASE 39

B39 39X30 in



Toro's base cabinets have a slightly deeper top drawer to accommodate larger utensils. The cabinet interior is a smooth factory-grade maple finish with a bit of color character.

There is a single inside adjustable height half shelf.



DOORS

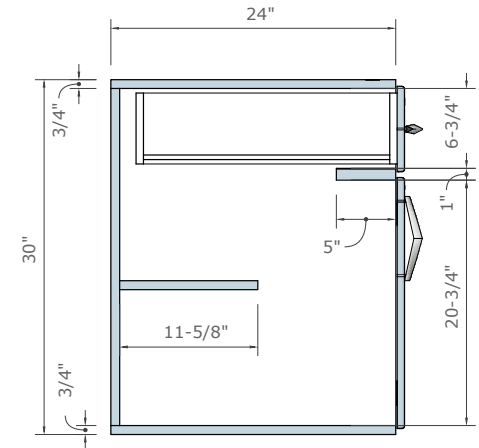
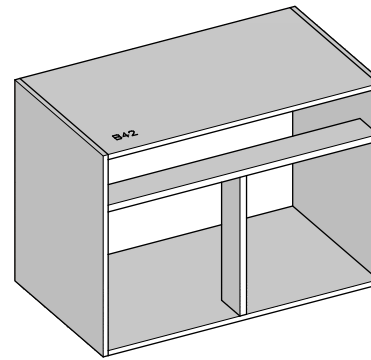
A	TDR39
B	BD039

- *BLUMOTION soft close, high-grade, under-mount drawer slides come standard.
- *Drawer boxes are made with all-wood dovetail construction.
- *All flat panel doors come standard with BLUMOTION soft-close hinges.

BASE 42

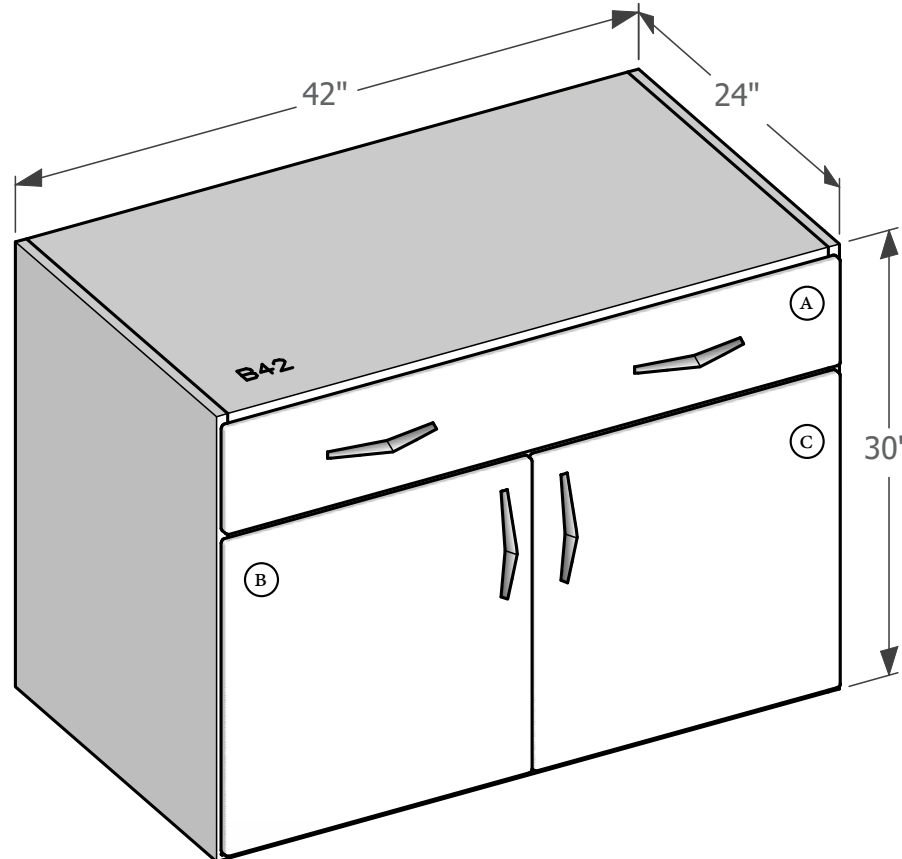
B42 42X30 in

Toro's base cabinets have a slightly deeper top drawer to accommodate larger utensils. The cabinet interior is a smooth factory-grade maple finish with a bit of color character. There is a single inside adjustable height half shelf.

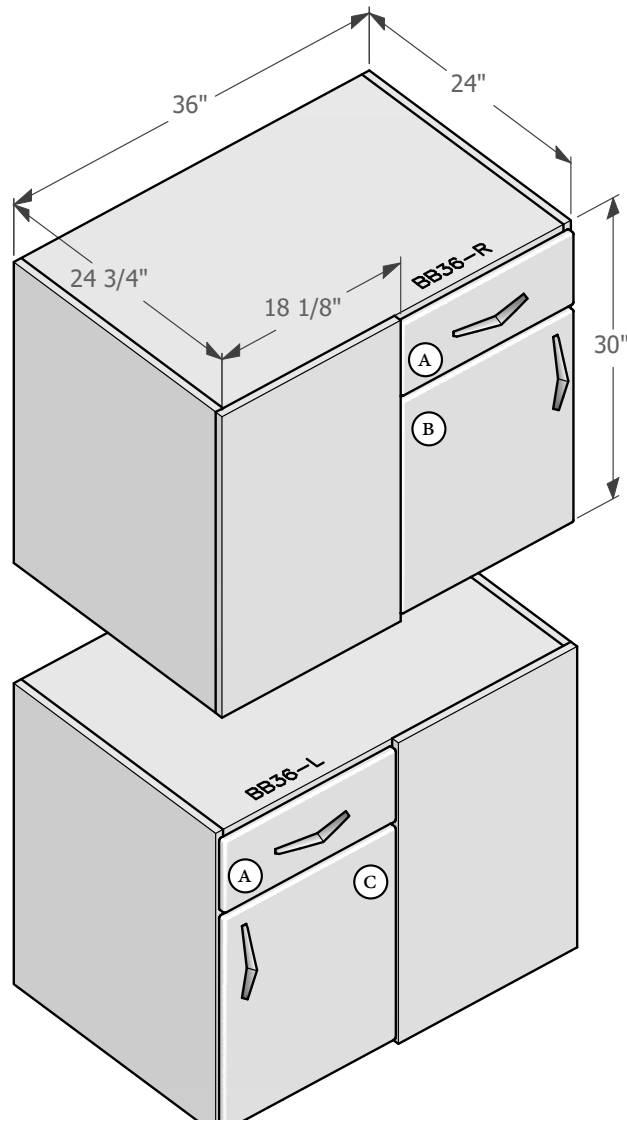
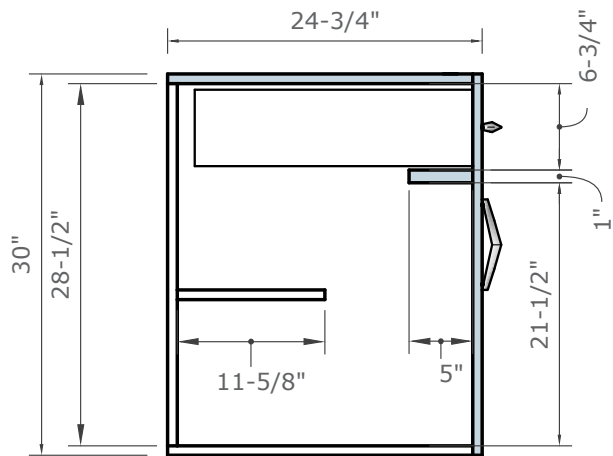


DOORS

A	TDR42
B/C	BD042



- *BLUMOTION soft close, high-grade, under-mount drawer slides come standard.
- *Drawer boxes are made with all-wood dovetail construction.
- *All flat panel doors come standard with BLUMOTION soft-close hinges.



BLIND BASE 36

BB36-L/R 36X30 in

Toro's base cabinets have a slightly deeper drawer on top. The inside is a smooth factory grade maple finish with a bit of color character.

There is a single inside adjustable height half shelf.

DOORS

A	BB36 - T
B	BB36 - L
C	BB36 - R

*R & L designations refer to right and left hinge side (not handle side)

*T, M, & B designations refer to top, middle, & bottom drawer positions.

BLIND BASE 42

BB42-L/R 42X30 in

Toro's base cabinets have a slightly deeper drawer on top. The inside is a smooth factory grade maple finish with a bit of color character. There is a single inside adjustable height half shelf.

DOORS

A	BB42 - T
B	BB42 - L
C	BB42 - R

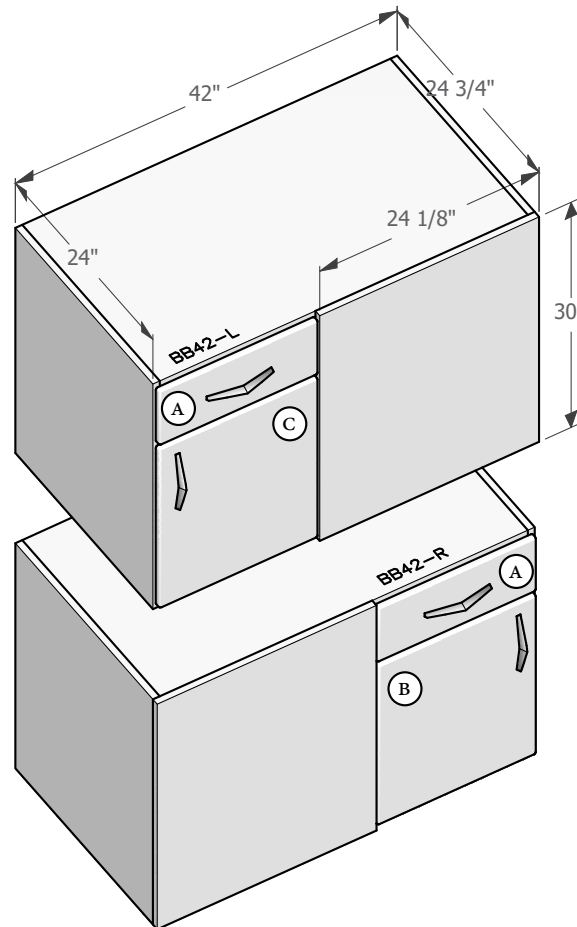
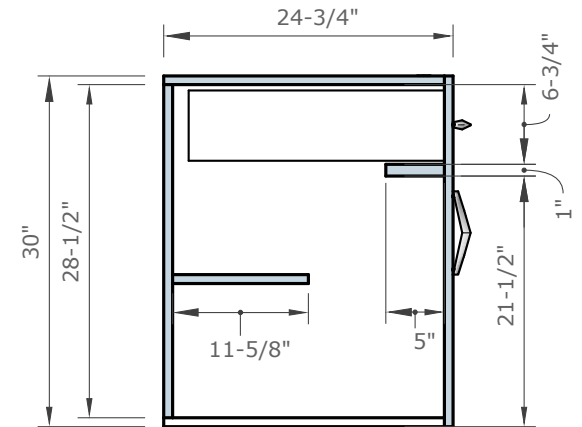
*R & L designations refer to right and left hinge side (not handle side)

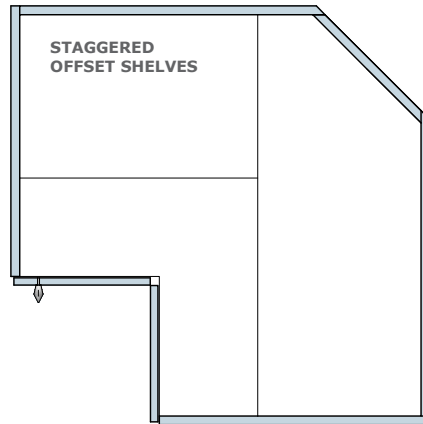
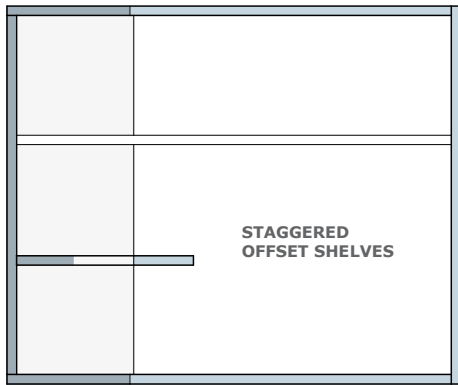
*T, M, & B designations refer to top, middle, & bottom drawer positions.

*BLUMOTION soft close, high-grade, under-mount drawer slides come standard.

*Drawer boxes are made with all-wood dovetail construction.

*All flat panel doors come standard with BLUMOTION soft-close hinges.

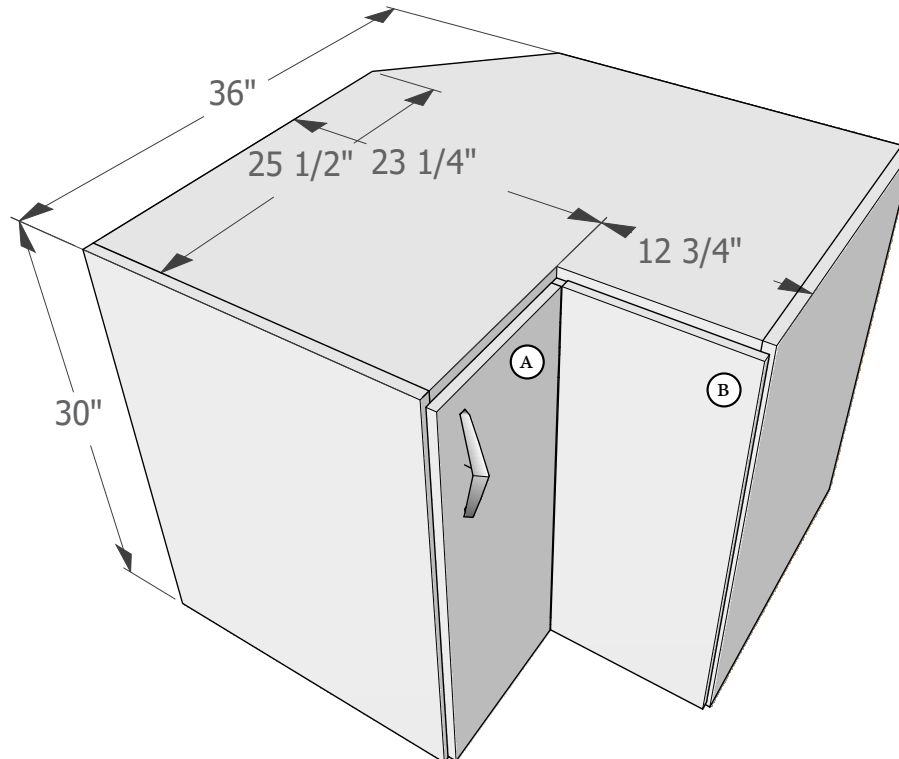




INSIDE CORNER BASE 36

ICB36 36X30 in

Toro's inside corner base is unique in that it has opposing shelves to house large items such as blenders and food processors or can be outfitted with a double-shelf lazy susan. Door has inner joint hinge to allow the door to swing out allowing for maximum accessibility.



DOORS

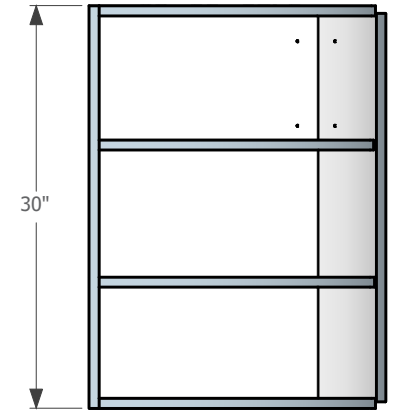
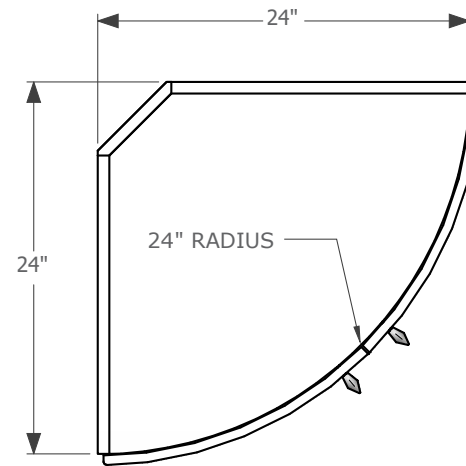
A/B	ICB36
-----	-------

*All flat panel doors come standard with BLUMOTION soft-close hinges.

BASE RADIUS DOUBLE DOOR

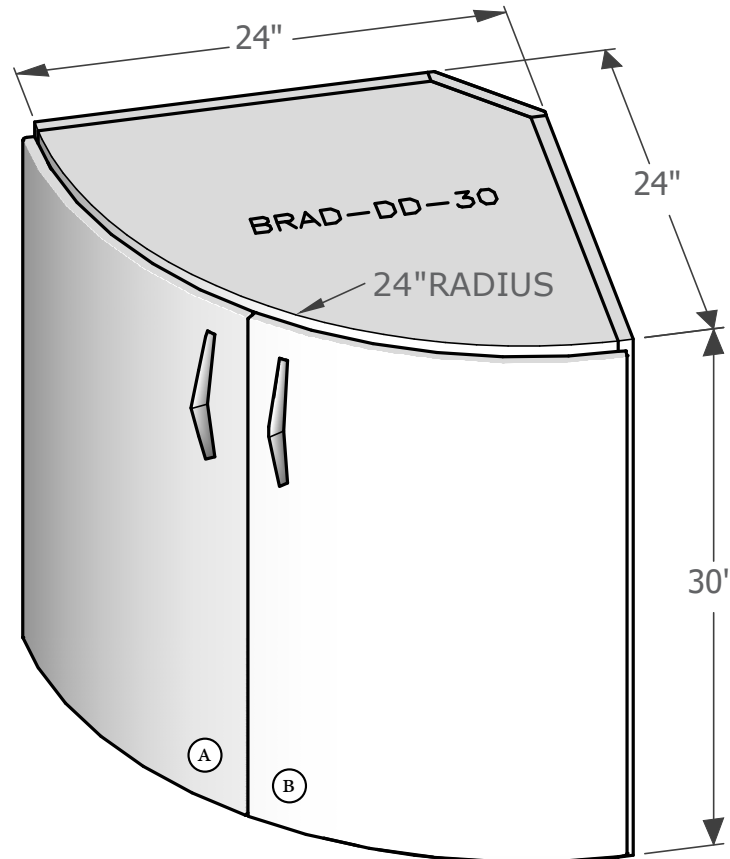
BRAD-DD-30 24X30 in

Our radius cabinets are the flagship of the Toro line. Base Radius cabinets come in one or two door options. They lend a smooth and interesting aesthetic to any space. These roll formed sheet metal doors will make your kitchen stand out with a quiet "pop" that is unique to Toro's metal crafted doors. (Also great in islands and peninsula kitchens)



DOORS

A/B BDO-BRAD-DD-30



*Radius door hinges may differ from Blum hardware due to curvature.

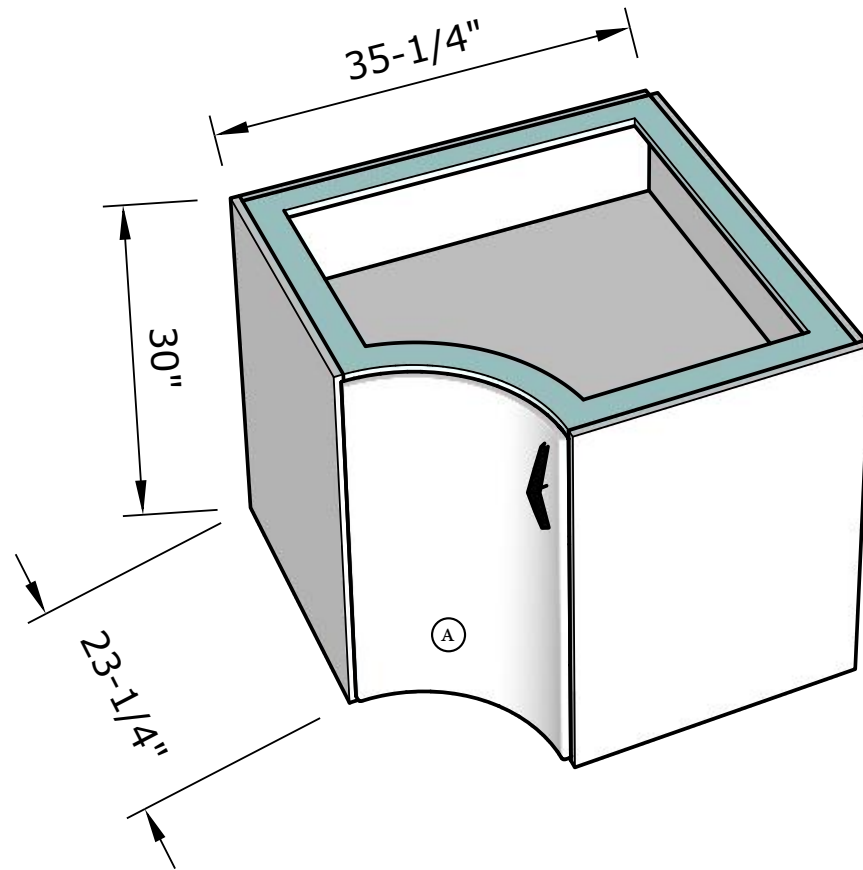
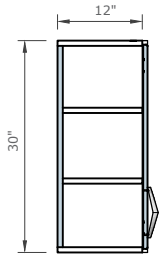
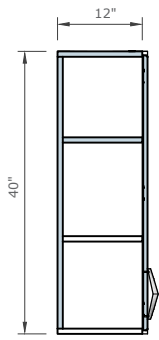
BASE INSIDE RADIUS

BINRAD-30 24X30 in

Our radius cabinets are the flagship of the Toro line. This Inside Radius come in a one door option. They lend a smooth and interesting aesthetic to any space. These roll formed sheet metal doors will make your kitchen stand out with a quiet "pop" that is unique to Toro's metal crafted doors.

DOORS

A BDO-INRAD-30



*All flat panel doors come standard with BLUMOTION soft-close hinges.

Sink Base



62



Sink Base 24

63



Sink Base 27

64



Sink Base 30

65



Sink Base 33

66



Sink Base 36

67



Sink Base 39

68



Sink Base 42

69



Sink Base 48

70

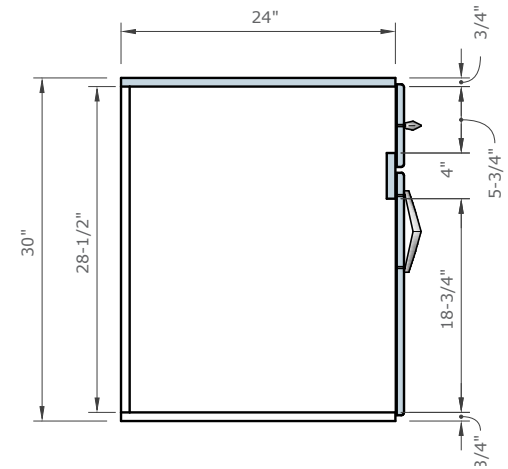


Corner
Sink Base 45°

SINK BASE 24

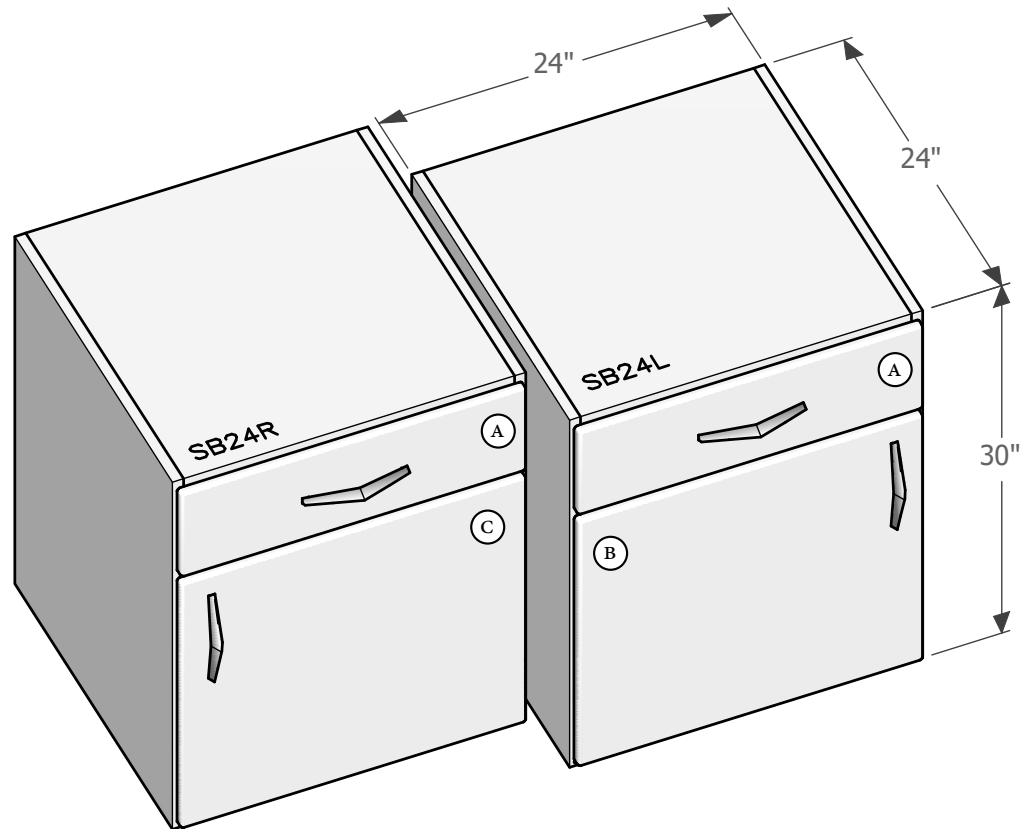
SB24 L/R 24X30 in

Sink bases come fitted with a roll-out base shelf for easy access to under sink storage items. Various sizes accommodate single basin sinks appropriate for vanities and wet bars to large basin and double basin sinks. (Blumotion soft close hinges come standard.)

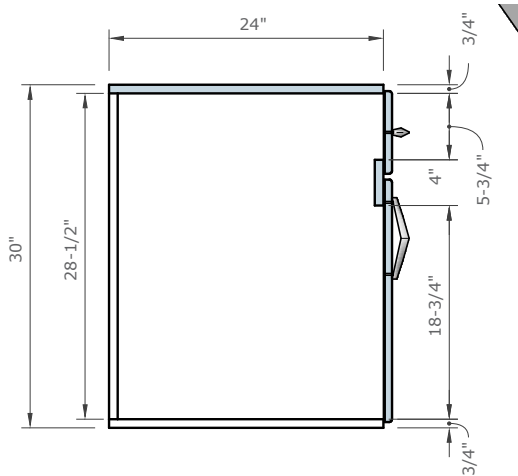


DOORS

A	TDR24
B/C	BD024



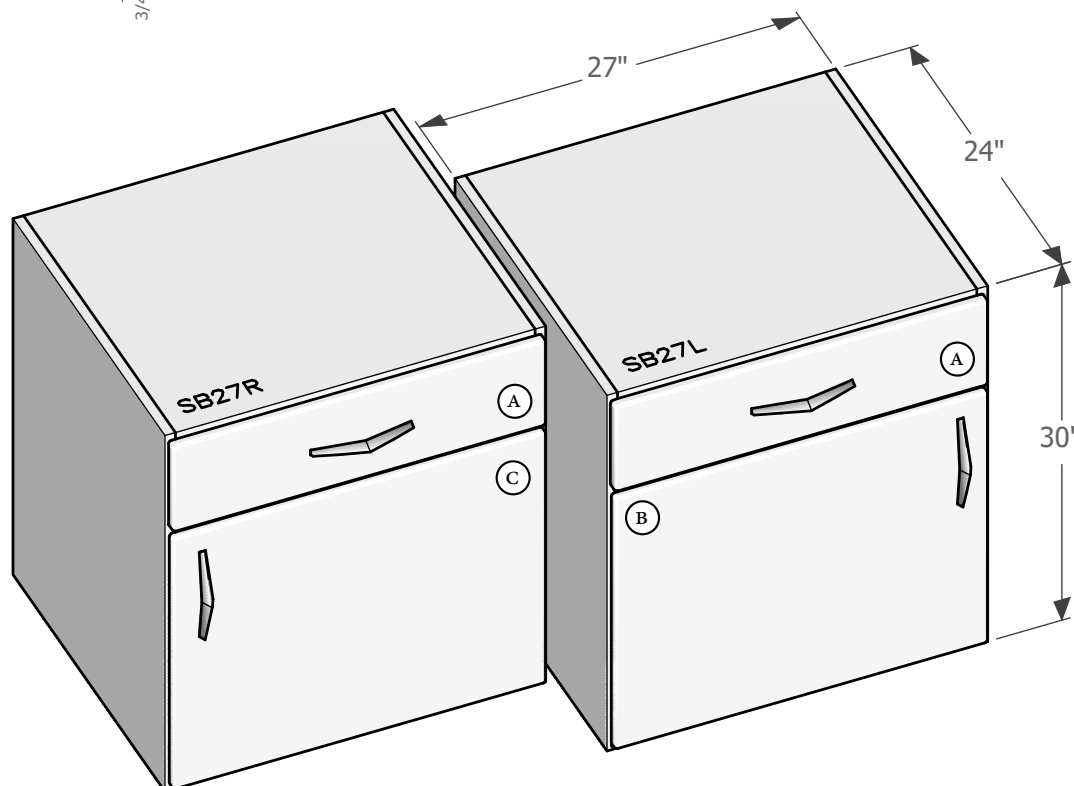
- *BLUMOTION soft close, high-grade, under-mount drawer slides come standard.
- *Drawer boxes are made with all-wood dovetail construction.
- *All flat panel doors come standard with BLUMOTION soft-close hinges.



SINK BASE 27

SB27 L/R 27X30 in

Sink bases come fitted with a roll-out base shelf for easy access to under sink storage items. Various sizes accommodate single basin sinks appropriate for vanities and wet bars to large basin and double basin sinks. (Blumotion soft close hinges come standard.)



DOORS

A	TDR27
B/C	BD027

- *BLUMOTION soft close, high-grade, under-mount drawer slides come standard.
- *Drawer boxes are made with all-wood dovetail construction.
- *All flat panel doors come standard with BLUMOTION soft-close hinges.

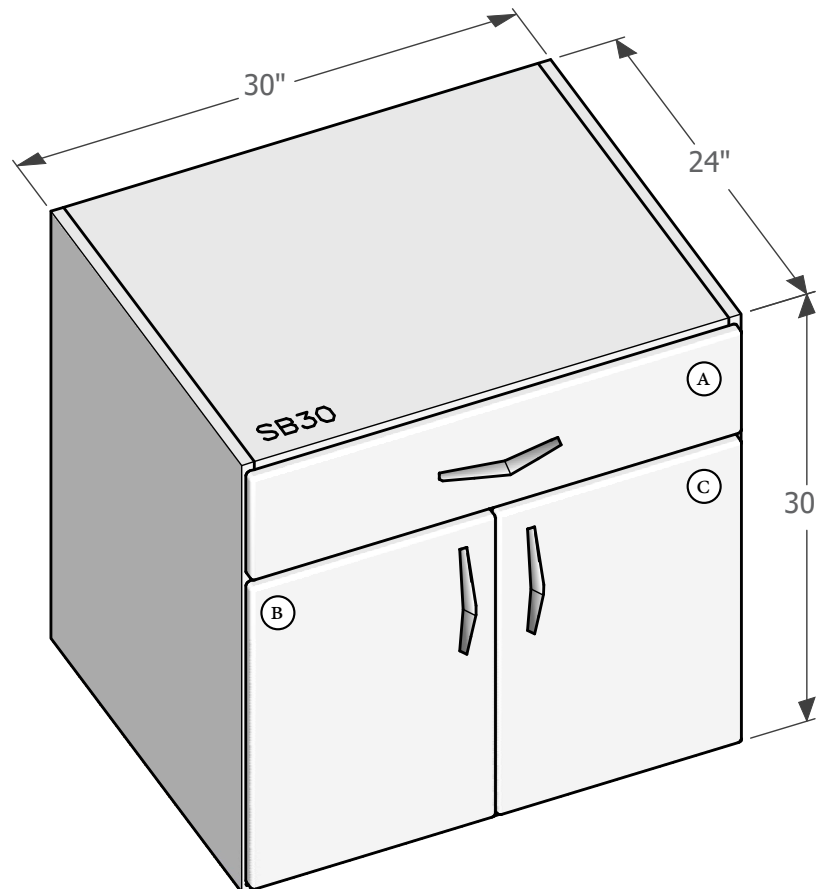
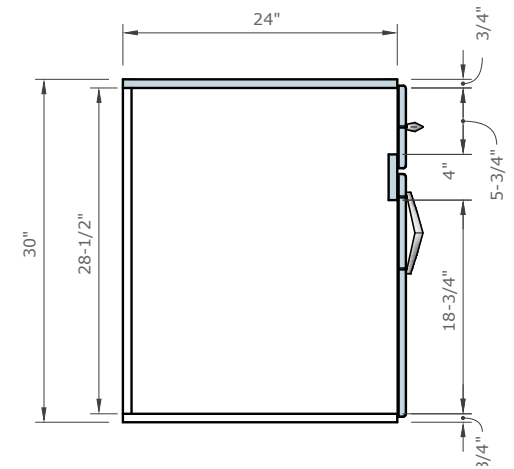
SINK BASE 30

SB30 30X30 in

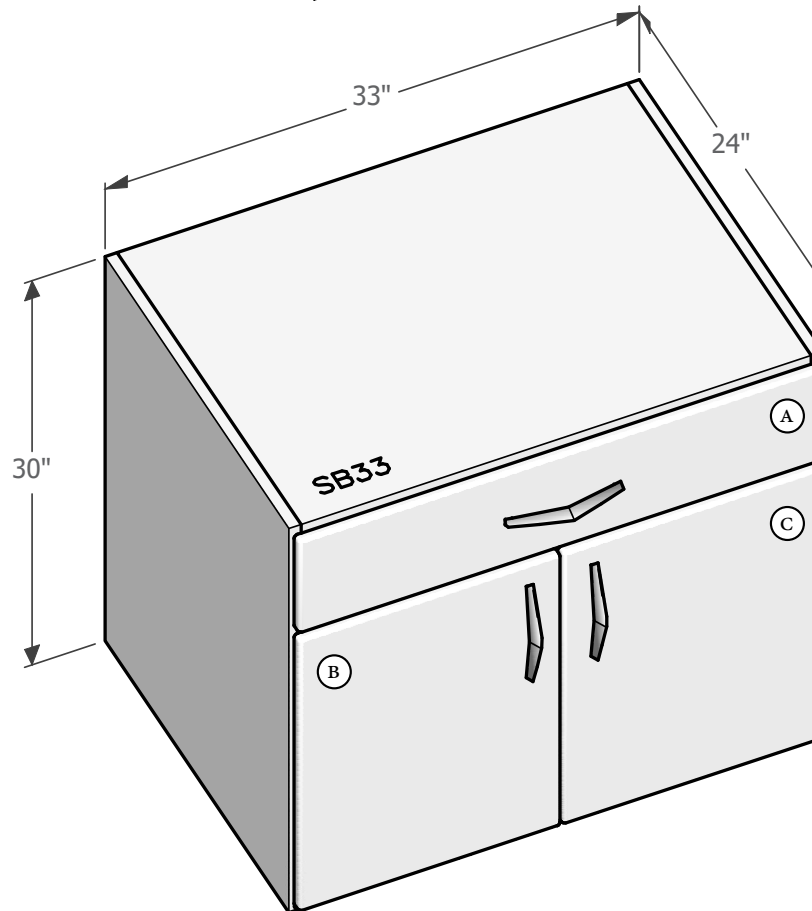
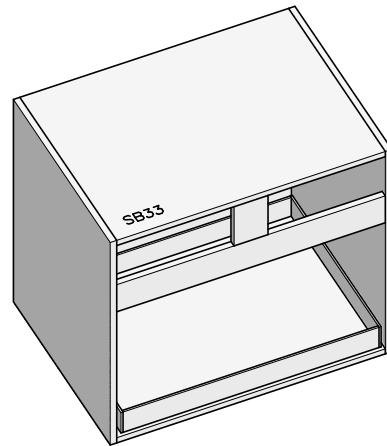
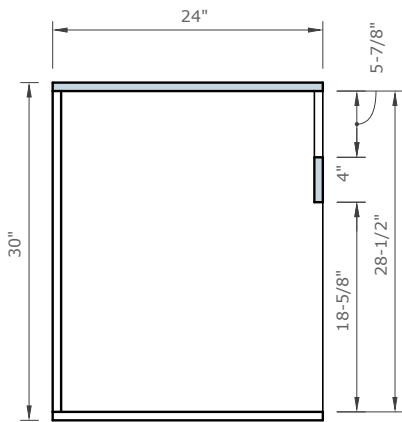
Sink bases come fitted with a roll-out base shelf for easy access to under sink storage items. Various sizes accommodate single basin sinks appropriate for vanities and wet bars to large basin and double basin sinks. (Blumotion soft close hinges come standard.)

DOORS

A	TDR30
B/C	BDO30



- *BLUMOTION soft close, high-grade, under-mount drawer slides come standard.
- *Drawer boxes are made with all-wood dovetail construction.
- *All flat panel doors come standard with BLUMOTION soft-close hinges.



SINK BASE 33

SB33 33X30 in

Sink bases come fitted with a roll-out base shelf for easy access to under sink storage items. Various sizes accommodate single basin sinks appropriate for vanities and wet bars to large basin and double basin sinks. (Blumotion soft close hinges come standard.)

DOORS

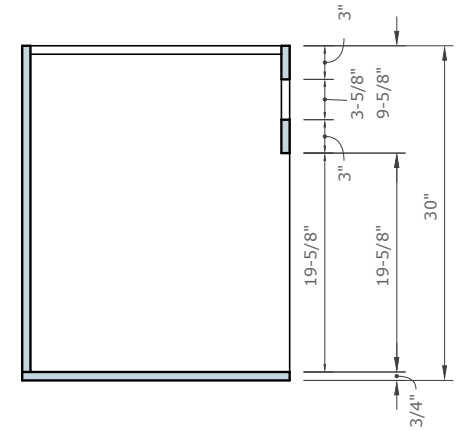
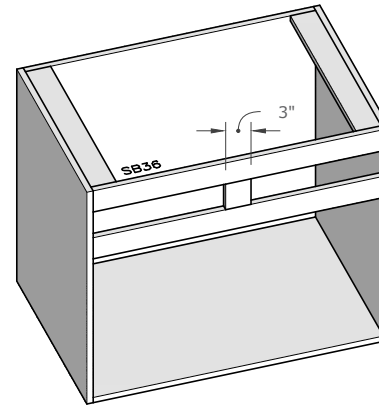
A	TDR33
B/C	BD033

- *BLUMOTION soft close, high-grade, under-mount drawer slides come standard.
- *Drawer boxes are made with all-wood dovetail construction.
- *All flat panel doors come standard with BLUMOTION soft-close hinges.

SINK BASE 36

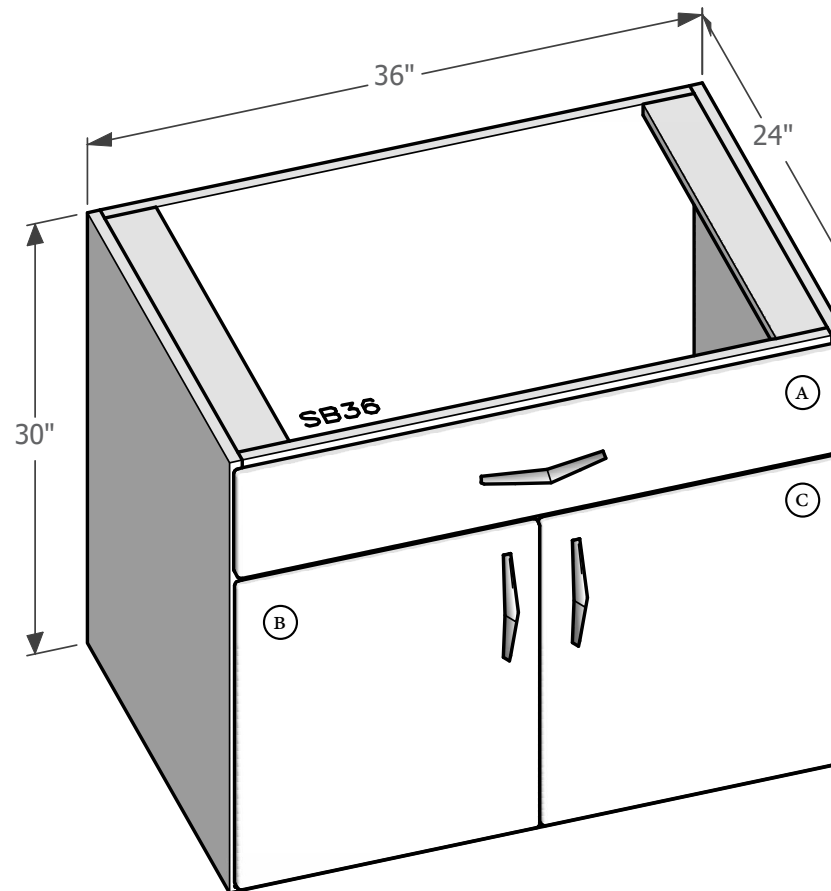
SB36 36X30 in

Sink bases come fitted with a roll-out base shelf for easy access to under sink storage items. Various sizes accommodate single basin sinks appropriate for vanities and wet bars to large basin and double basin sinks. (Blumotion soft close hinges come standard.)



DOORS

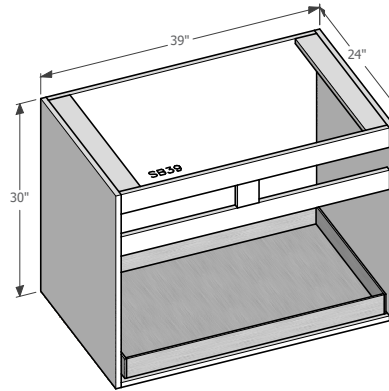
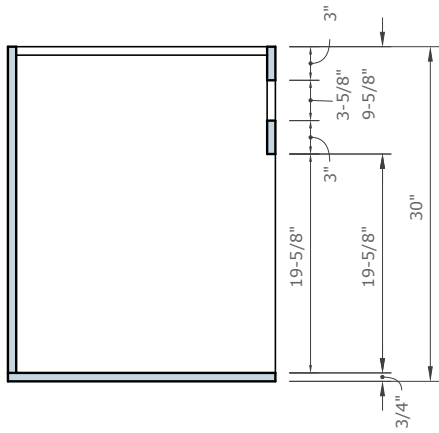
A	TDR36
B/C	BD036



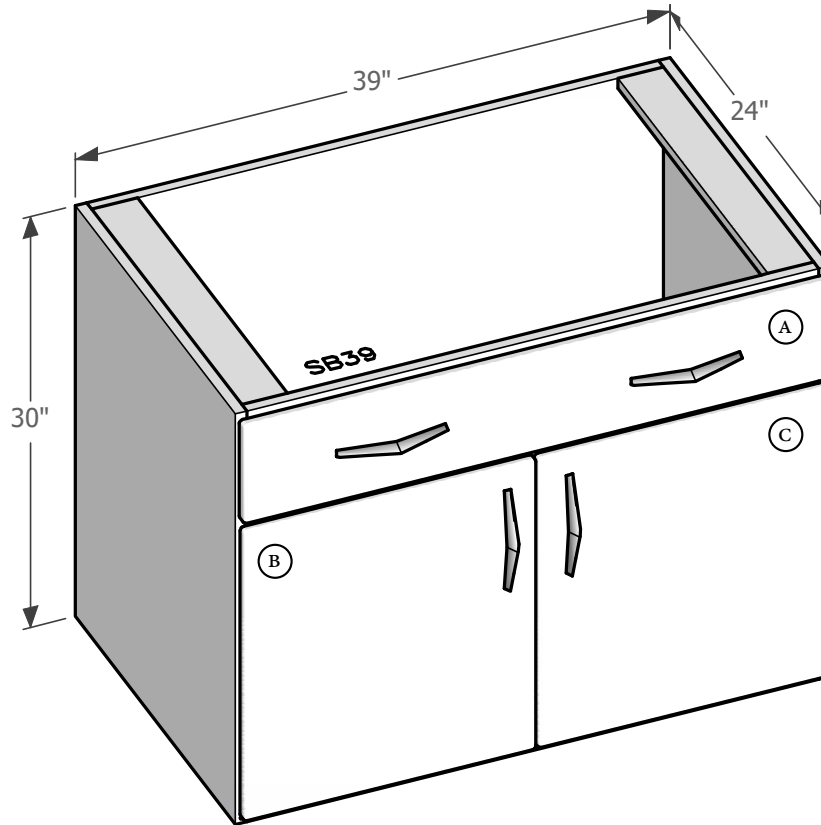
- *BLUMOTION soft close, high-grade, under-mount drawer slides come standard.
- *Drawer boxes are made with all-wood dovetail construction.
- *All flat panel doors come standard with BLUMOTION soft-close hinges.

SINK BASE 39

SB39 39X30 in



Sink bases come fitted with a roll-out base shelf for easy access to under sink storage items. Various sizes accommodate single basin sinks appropriate for vanities and wet bars to large basin and double basin sinks. (Blumotion soft close hinges come standard.)



DOORS

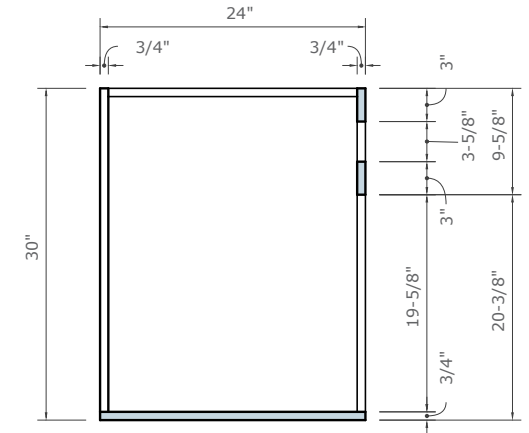
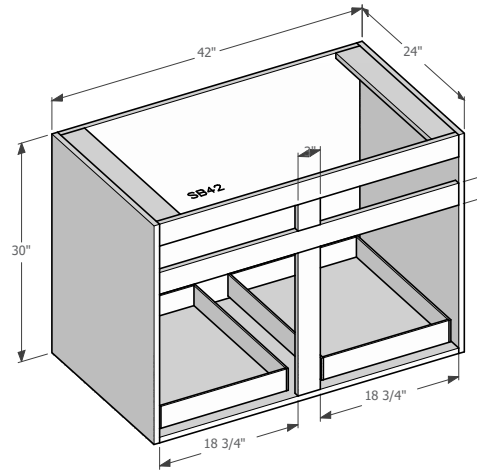
A	TDR39
B/C	BD039

- *BLUMOTION soft close, high-grade, under-mount drawer slides come standard.
- *Drawer boxes are made with all-wood dovetail construction.
- *All flat panel doors come standard with BLUMOTION soft-close hinges.

SINK BASE 42

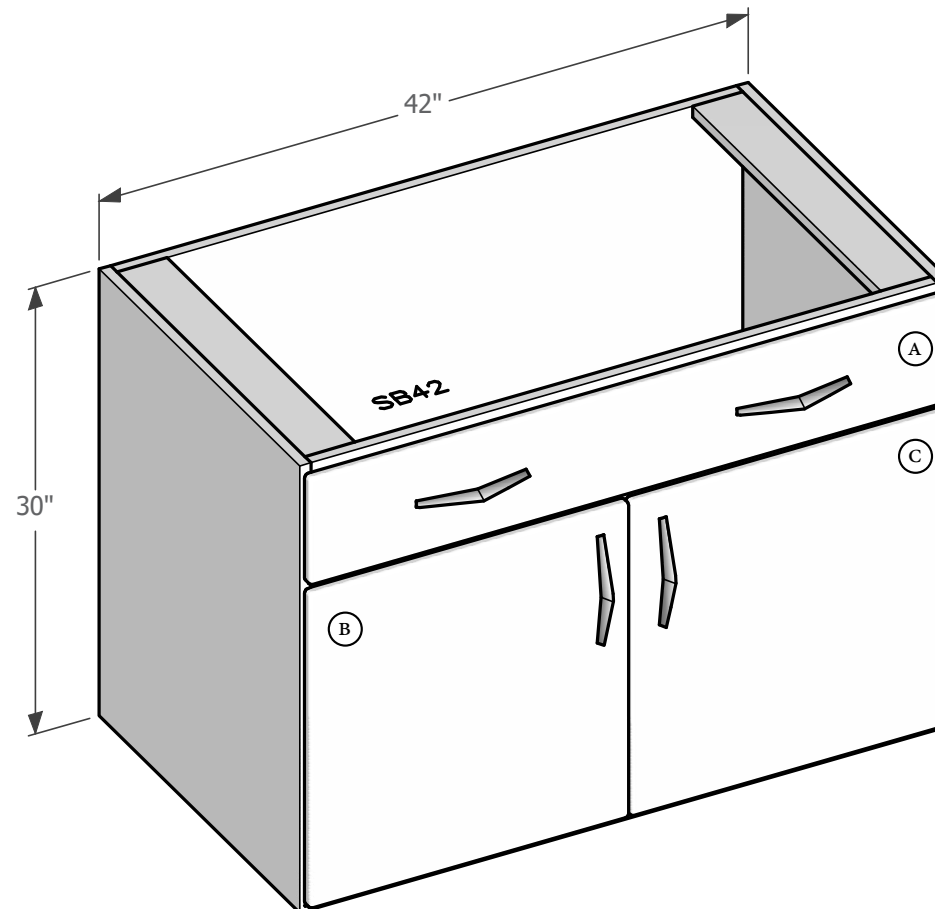
SB42 42X30 in

Sink bases come fitted with a roll-out base shelf for easy access to under sink storage items. Various sizes accommodate single basin sinks appropriate for vanities and wet bars to large basin and double basin sinks. (Blumotion soft close hinges come standard.)

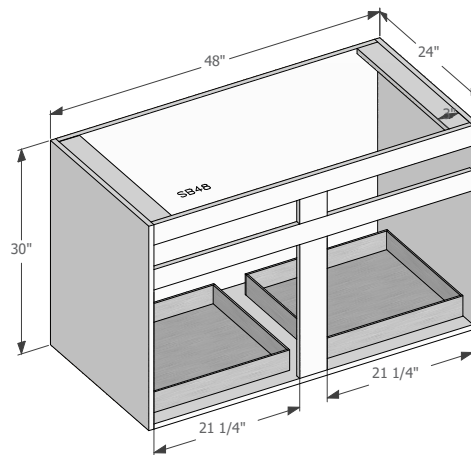
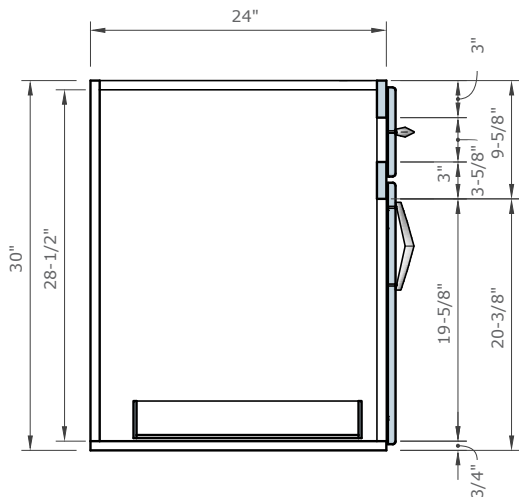


DOORS

A	TDR42
B/C	BD042



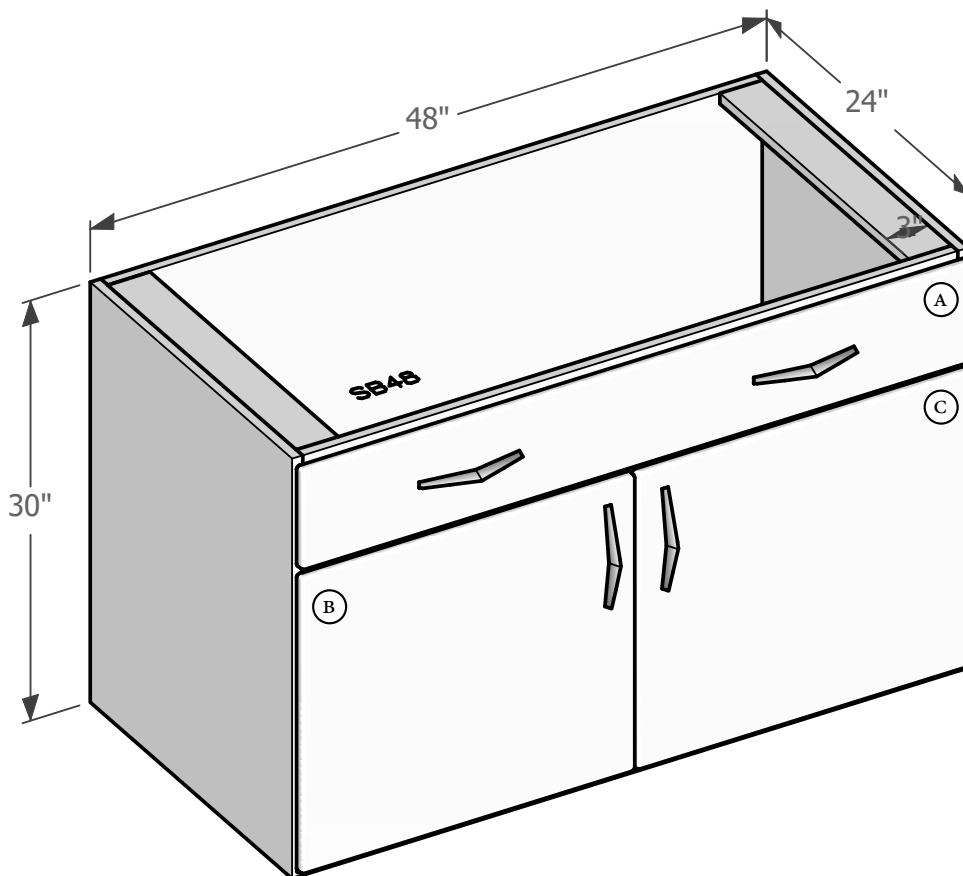
- *BLUMOTION soft close, high-grade, under-mount drawer slides come standard.
- *Drawer boxes are made with all-wood dovetail construction.
- *All flat panel doors come standard with BLUMOTION soft-close hinges.



SINK BASE 48

SB48 48X30 in

Sink bases come fitted with a roll-out base shelf for easy access to under sink storage items. Various sizes accommodate single basin sinks appropriate for vanities and wet bars to large basin and double basin sinks. (Blumotion soft close hinges come standard.)



DOORS

A	TDR48
B/C	BDO48

- *BLUMOTION soft close, high-grade, under-mount drawer slides come standard.
- *Drawer boxes are made with all-wood dovetail construction.
- *All flat panel doors come standard with BLUMOTION soft-close hinges.

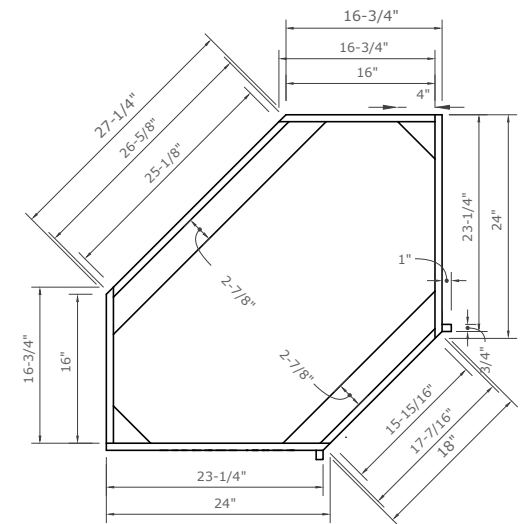
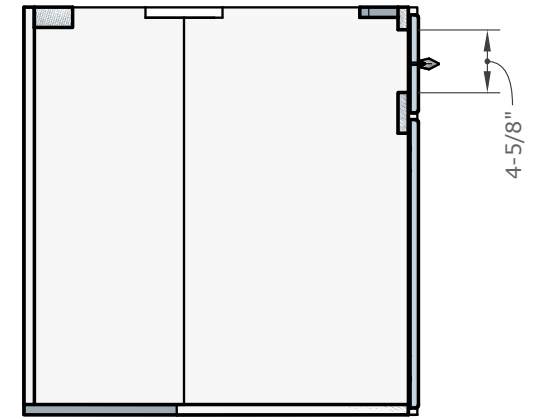
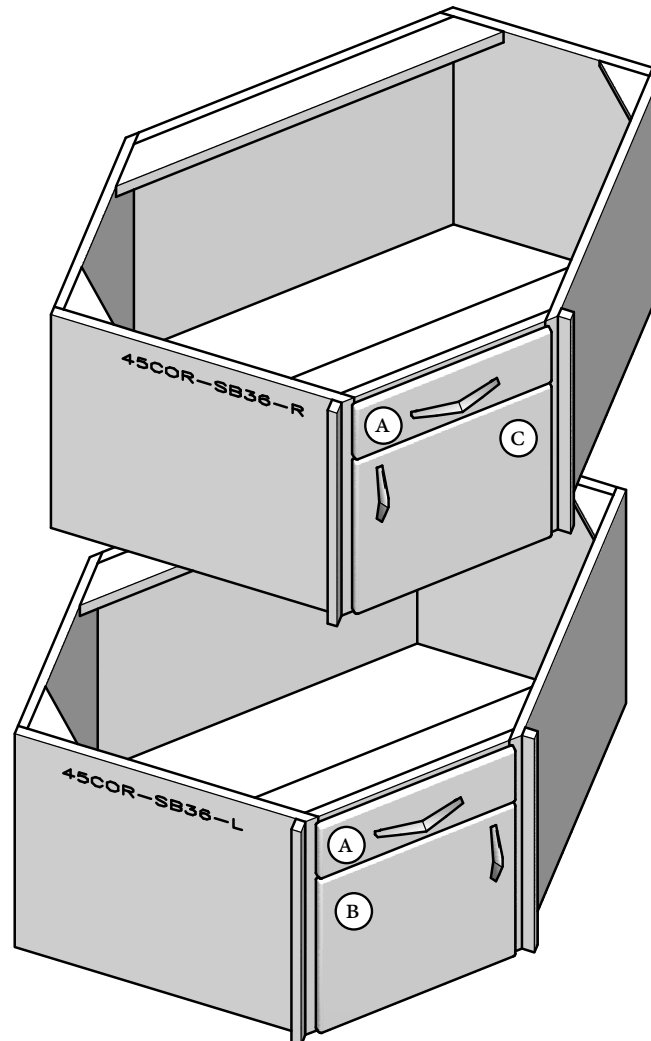
45° CORNER SINK BASE

45CORSB36 L/R 36X30 in

Sink bases come fitted with a roll-out base shelf. Single door models

DOORS

A	45CORSB36
B/C	45CORSB36



- *BLUMOTION soft close, high-grade, under-mount drawer slides come standard.
- *Drawer boxes are made with all-wood dovetail construction.
- *All flat panel doors come standard with BLUMOTION soft-close hinges.



OVEN PANTRY

74



Double
Oven Pantry
30 x 79.5

75



Standard Fridge
Double Oven Pantry
30 x 79.5

76



Single Oven
Pantry
30 x 79.5

77



Tall
Double Oven Pantry
30 x 91.5

78



Tall
1.5 Oven Pantry
30 x 91.5

79



Tall
Single Oven Pantry
30 x 91.5

DOUBLE OVEN PANTRY

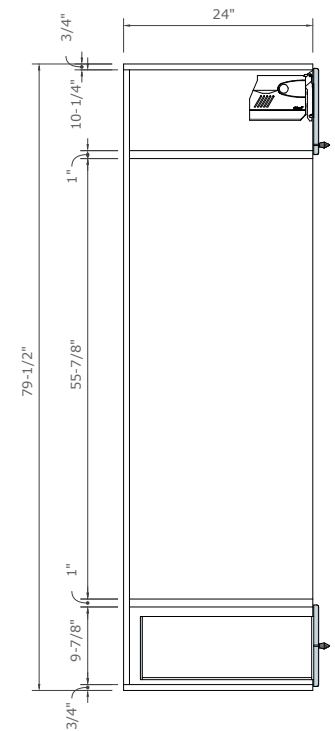
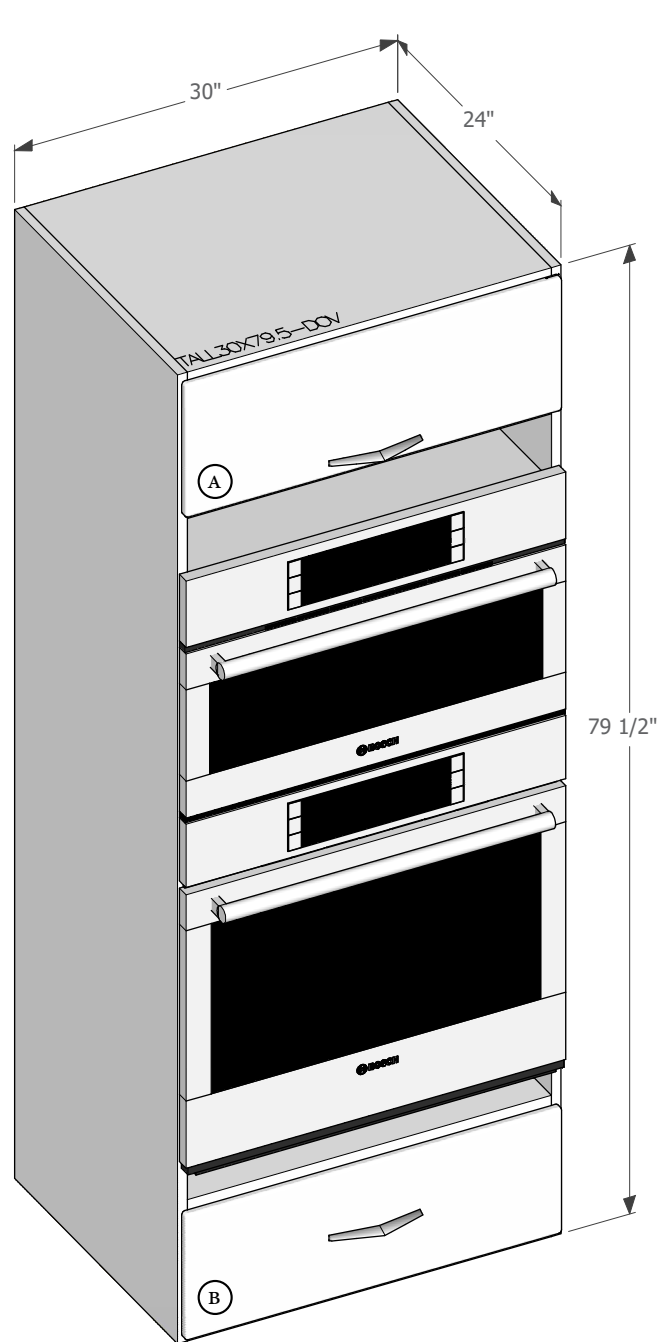
OP30X79.5 - DOV 30X79.5 in

Toro's oven pantry is suitable for single or double oven and additional built-in appliances as desired. Upper door styles range based on width from lift-gate style to swing door styles. (Gaps in diagram are filled with filler-board as needed.)

DOORS

A	OP30X79.5 - DOV - T
B	BDR30

*T, M, & B designations refer to top, middle, & bottom drawer positions.

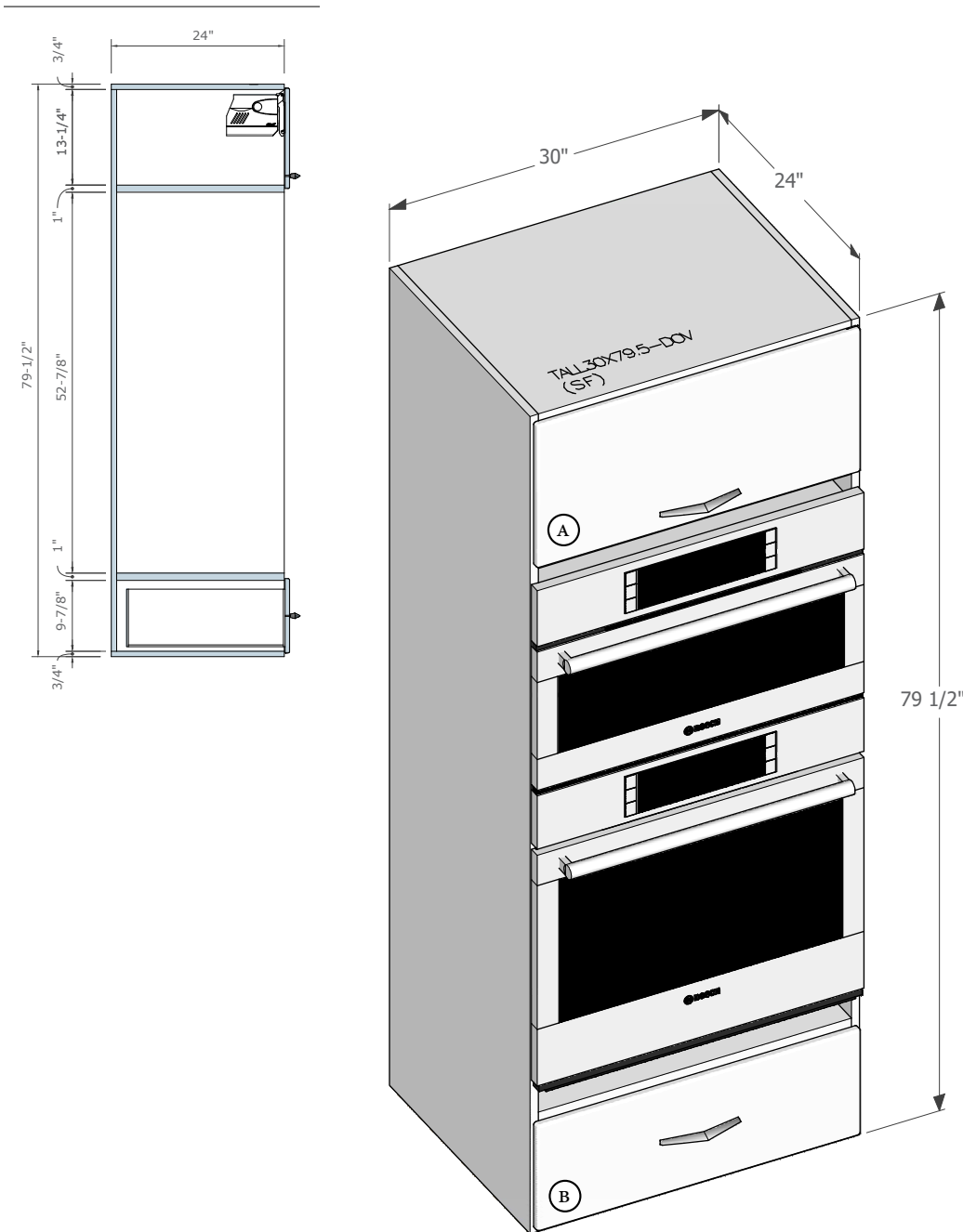


- *BLUMOTION soft close, high-grade, under-mount drawer slides come standard.
- *Drawer boxes are made with all-wood dovetail construction.
- *All flat panel doors come standard with BLUMOTION soft-close hinges.

SF DOUBLE OVEN PANTRY

OP30X79.5SF - DOV 30X79.5 in

Toro's oven pantry is suitable for single or double oven and additional built-in appliances as desired. Upper door styles range based on width from lift-gate style to swing door styles. (Gaps in diagram are filled with filler-board as needed.)



DOORS

A	OP30X79.5 - 1.50V - T
B	BDR30

*R & L designations refer to right and left hinge side (not handle side)
 *T, M, & B designations refer to top, middle, & bottom drawer positions.

- *BLUMOTION soft close, high-grade, under-mount drawer slides come standard.
- *Drawer boxes are made with all-wood dovetail construction.
- *All flat panel doors come standard with BLUMOTION soft-close hinges.

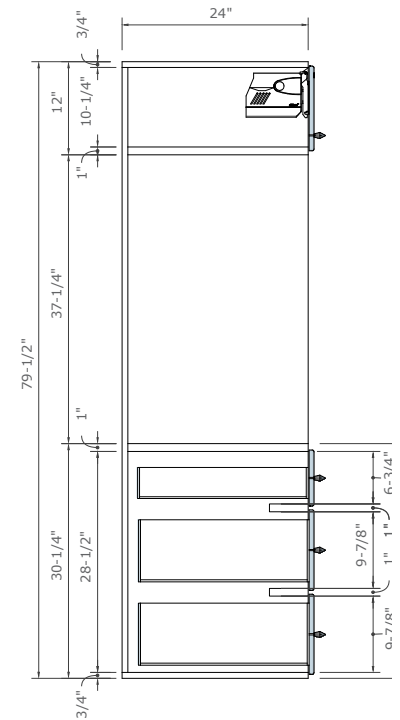
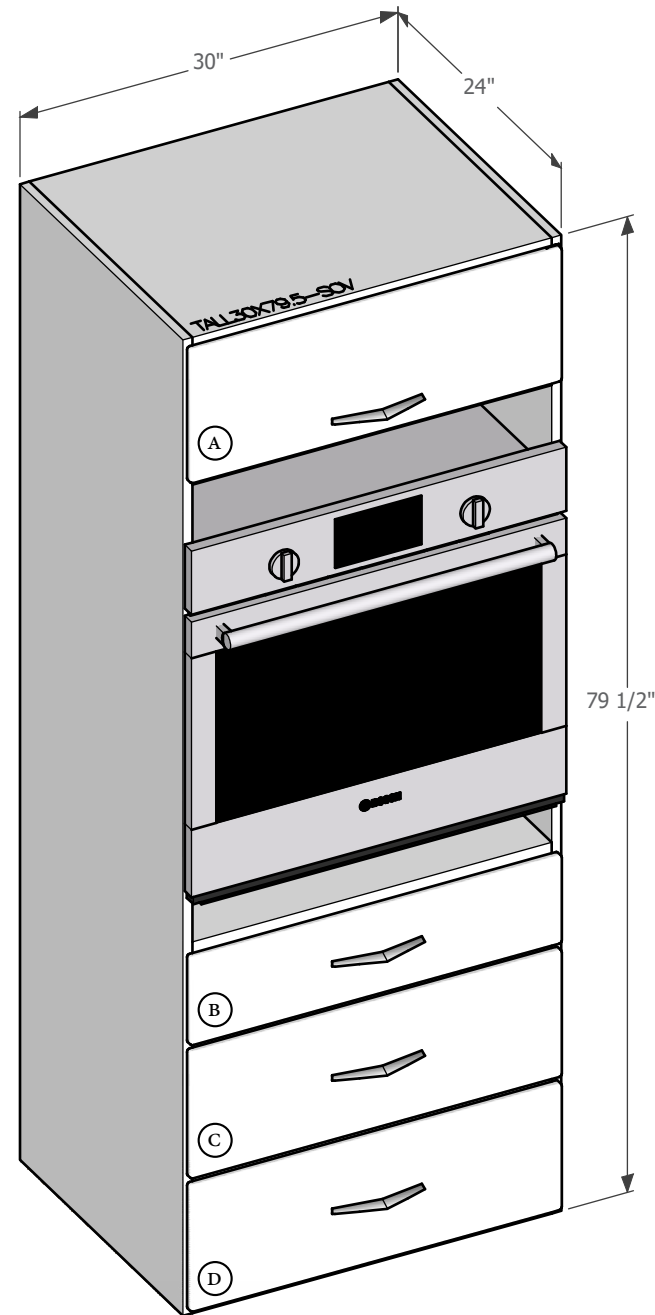
SINGLE OVEN PANTRY

OP30X79.5 - SOV 30X79.5 in

Toro's oven pantry is suitable for single or double oven and additional built-in appliances as desired. Upper door styles range based on width from lift-gate style to swing door styles. (Gaps in diagram are filled with filler-board as needed.)

DOORS

A	OP30X79.5 - SOV - U
B	TDR30
C/D	BDR30



- *BLUMOTION soft close, high-grade, under-mount drawer slides come standard.
- *Drawer boxes are made with all-wood dovetail construction.
- *All flat panel doors come standard with BLUMOTION soft-close hinges.

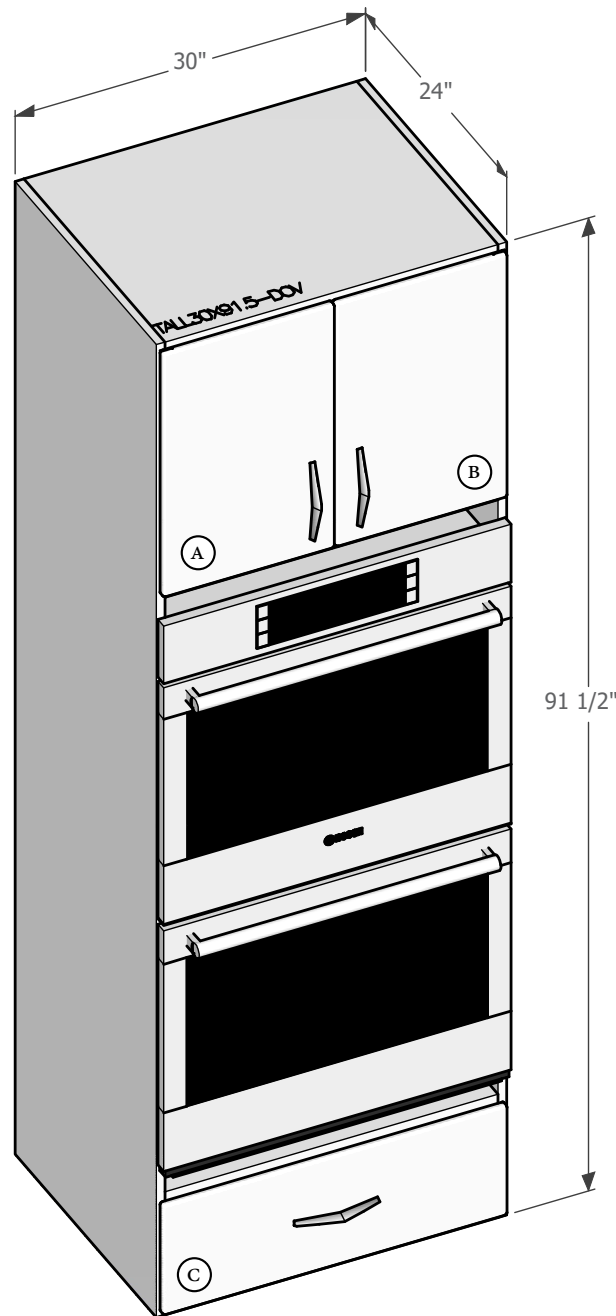
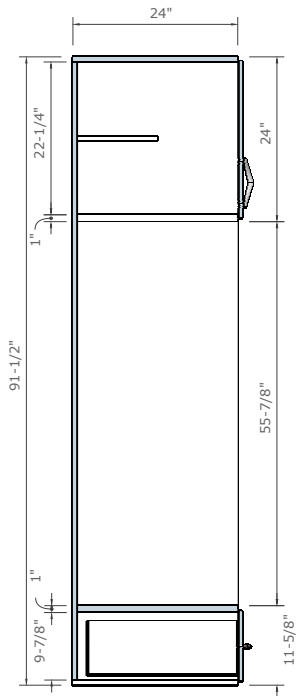
TALL DOUBLE OVEN PANTRY

OP30X91.5DOV 30X91.5 in

Toro's oven pantry is suitable for single or double oven and additional built-in appliances as desired. Upper door styles range based on width from lift-gate style to swing door styles. (Gaps in diagram are filled with filler-board as needed.)

DOORS

A/B	OP30X91.5DOV
C	BDR30



- *BLUMOTION soft close, high-grade, under-mount drawer slides come standard.
- *Drawer boxes are made with all-wood dovetail construction.
- *All flat panel doors come standard with BLUMOTION soft-close hinges.

TALL 1 & 1.5 OVEN PANTRY

OP30X91.5-1.5OV 30X91.5 in

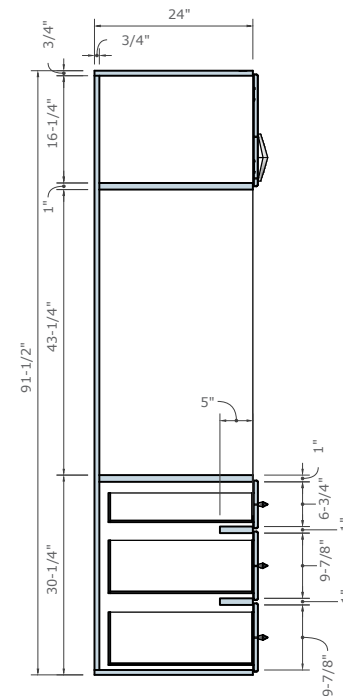
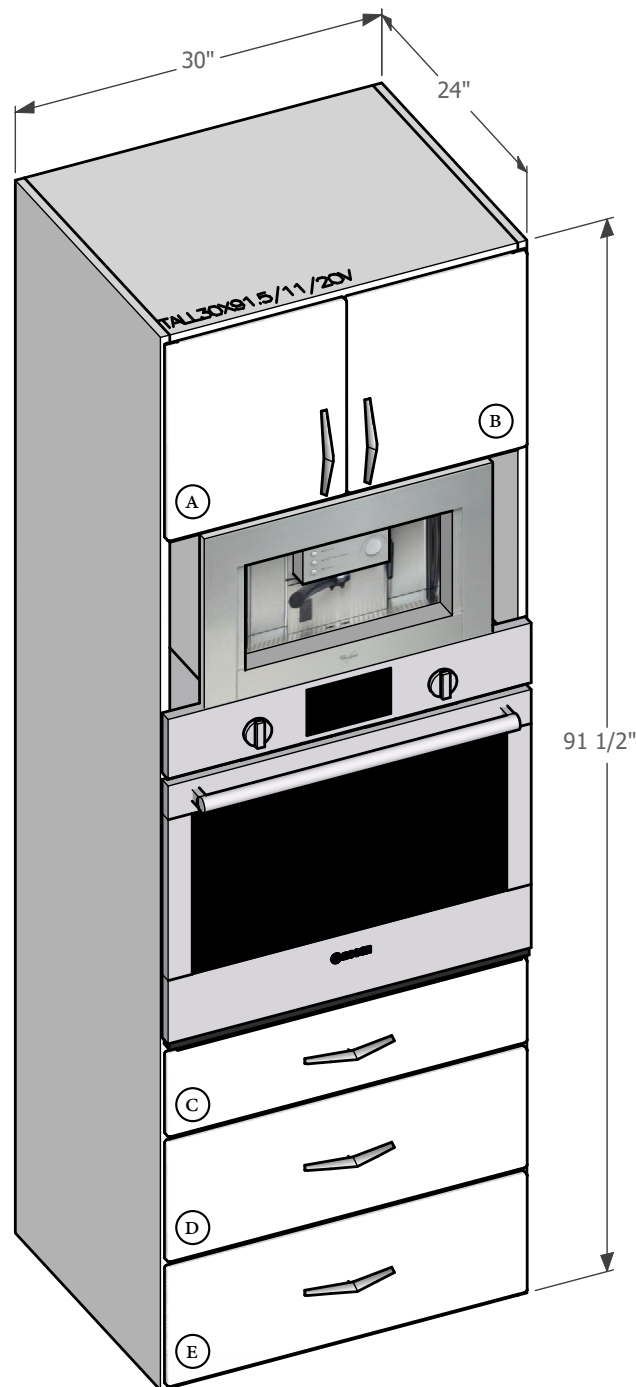
Toro's oven pantry is suitable for single or double oven and additional built-in appliances as desired. Upper door styles range based on width from lift-gate style to swing door styles. (Gaps in diagram are filled with filler-board as needed.)

DOORS

A/B OP30X91.5 - 1.5OV - L

C TDR30

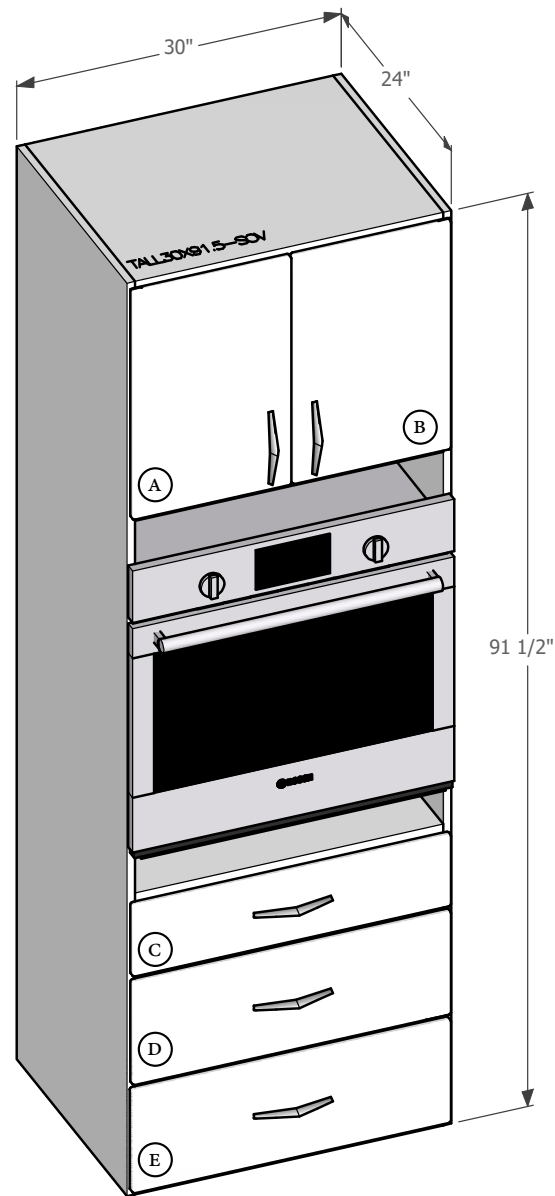
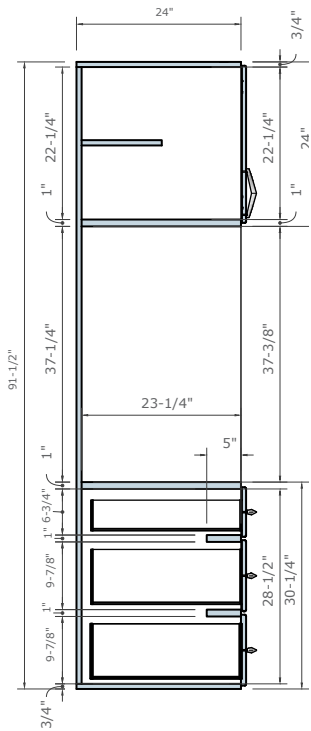
D/E BDR30



*BLUMOTION soft close, high-grade, under-mount drawer slides come standard.

*Drawer boxes are made with all-wood dovetail construction.

*All flat panel doors come standard with BLUMOTION soft-close hinges.



TALL SINGLE OVEN PANTRY

OP30X91.5SOV 30X91.5 in

Toro's oven pantry is suitable for single or double oven and additional built-in appliances as desired. Upper door styles range based on width from lift-gate style to swing door styles. (Gaps in diagram are filled with filler-board as needed.)

DOORS

A/B	OP30X91.5 - SOV - L
C	TDR30
D/E	BDR30

- *BLUMOTION soft close, high-grade, under-mount drawer slides come standard.
- *Drawer boxes are made with all-wood dovetail construction.
- *All flat panel doors come standard with BLUMOTION soft-close hinges.



PANTRY

86



Pantry
Standard Fridge
15 x 79.5

87



Pantry
15 x 79.5

88



Pantry
Standard Fridge
24 x 79.5

89



Pantry
24 x 79.5

90



Pantry
Double Door
Standard Fridge
30 x 79.5

91



Pantry
Double Door
Standard Fridge
30 x 79.5

92



Pantry
15 x 91.5

93



Pantry
24 x 91.5

94



Pantry
Double Door
30 x 91.5

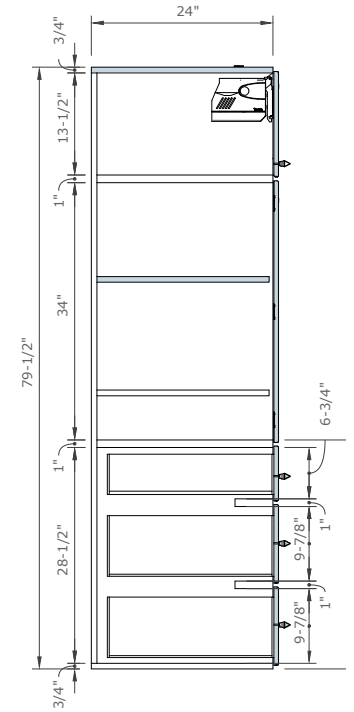
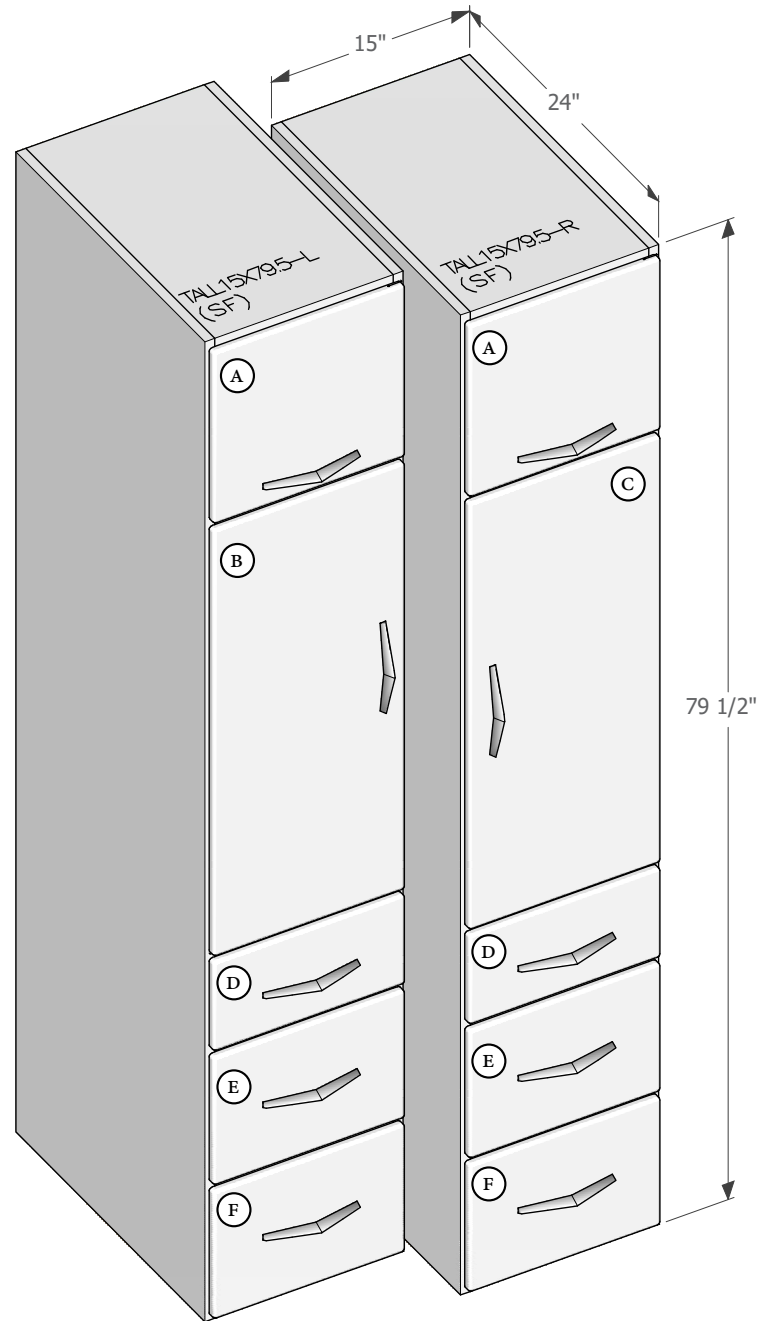
PANTRY SF 15

PAN15X79.5SF L/R 15X79.5 in

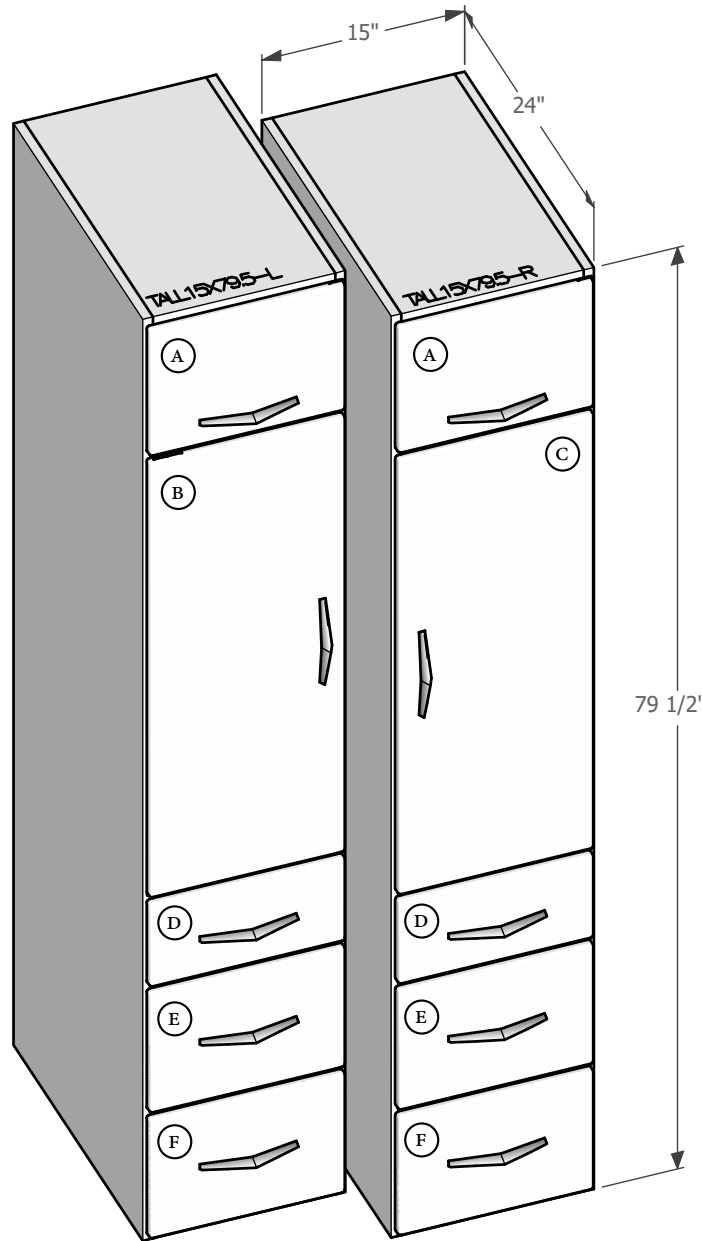
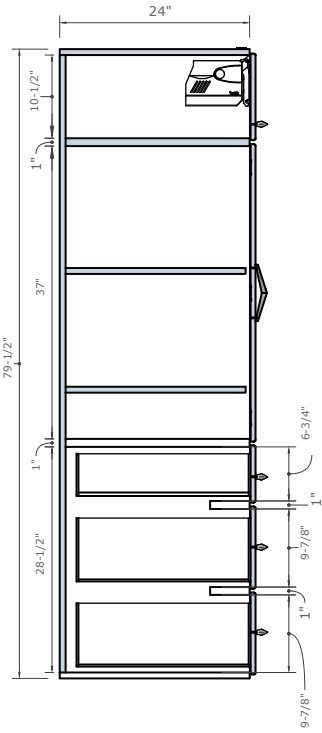
Toro pantry cabinet offers flexible storage with door and drawer access to storage items. Available in both single and double door configurations. With both lift-gate and swing door access to upper storage items depending on width and unit height.

DOORS

A	PAN15X79.5SF -U
B/C	PAN15X79.5SF - L
D	TDR15
E/F	BDR15



- *BLUMOTION soft close, high-grade, under-mount drawer slides come standard.
- *Drawer boxes are made with all-wood dovetail construction.
- *All flat panel doors come standard with BLUMOTION soft-close hinges.



PANTRY 15

PAN15X79.5 L/R 15X79.5 in

Toro pantry cabinet offers flexible storage with door and drawer access to storage items. Available in both single and double door configurations. With both lift-gate and swing door access to upper storage items depending on width and unit height.

DOORS

A	PAN15X79.5 -U
B/C	PAN15X79.5 -L
D	TDR15
E/F	BDR15

- *BLUMOTION soft close, high-grade, under-mount drawer slides come standard.
- *Drawer boxes are made with all-wood dovetail construction.
- *All flat panel doors come standard with BLUMOTION soft-close hinges.

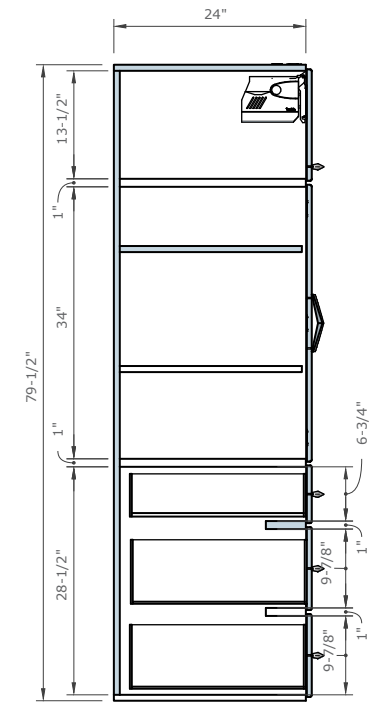
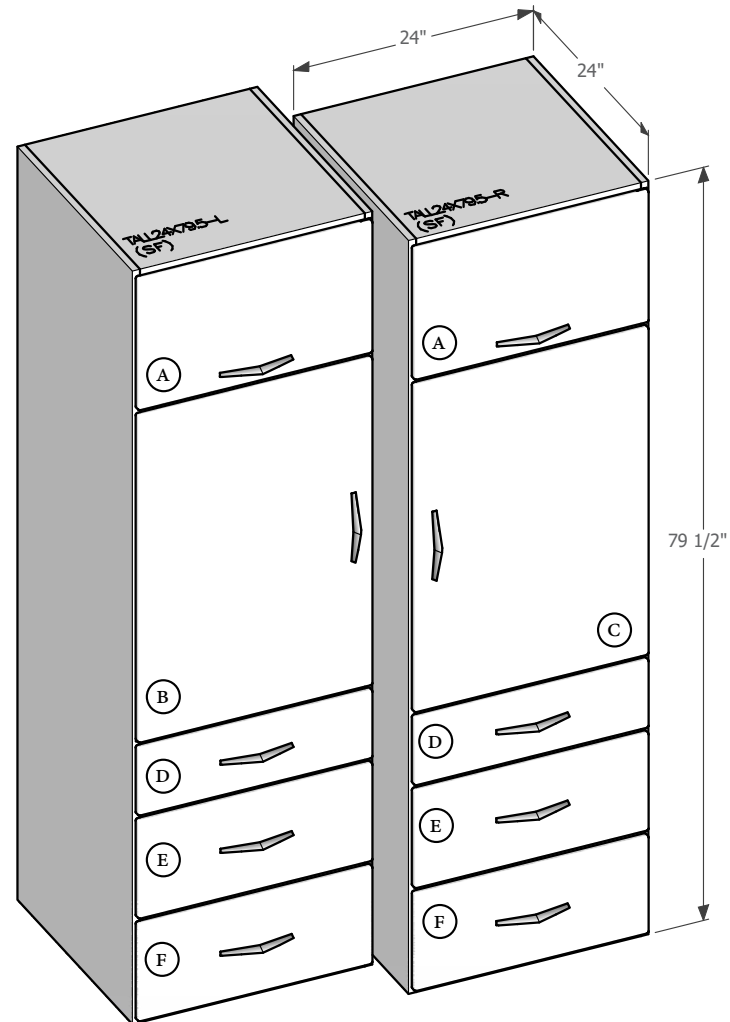
PANTRY SF 24

PAN24X79.5SF 24X79.5 in

Toro pantry cabinet offers flexible storage with door and drawer access to storage items. Available in both single and double door configurations. With both lift-gate and swing door access to upper storage items depending on width and unit height.

DOORS

A	PAN24X79.5SF - U
B/C	PAN24X79.5SF - L
D	TDR24
E/F	BDR24



*BLUMOTION soft close, high-grade, under-mount drawer slides come standard.

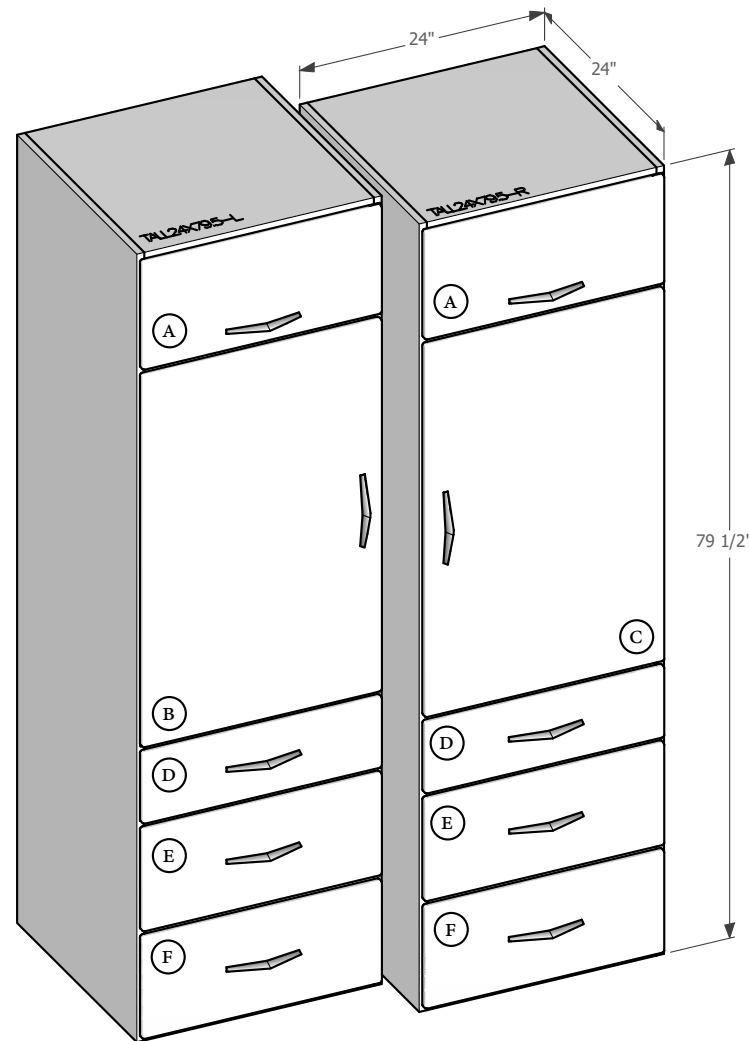
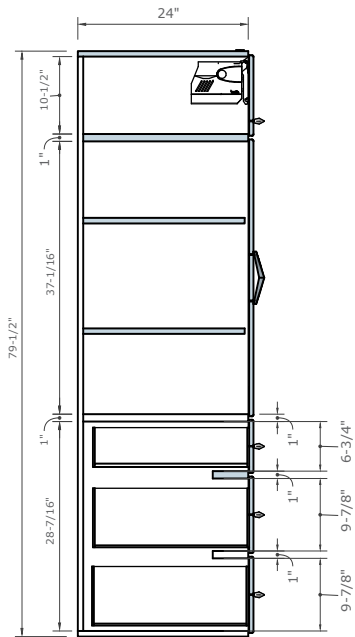
*Drawer boxes are made with all-wood dovetail construction.

*All flat panel doors come standard with BLUMOTION soft-close hinges.

PANTRY 24

PAN24X79.5 24X79.5 in

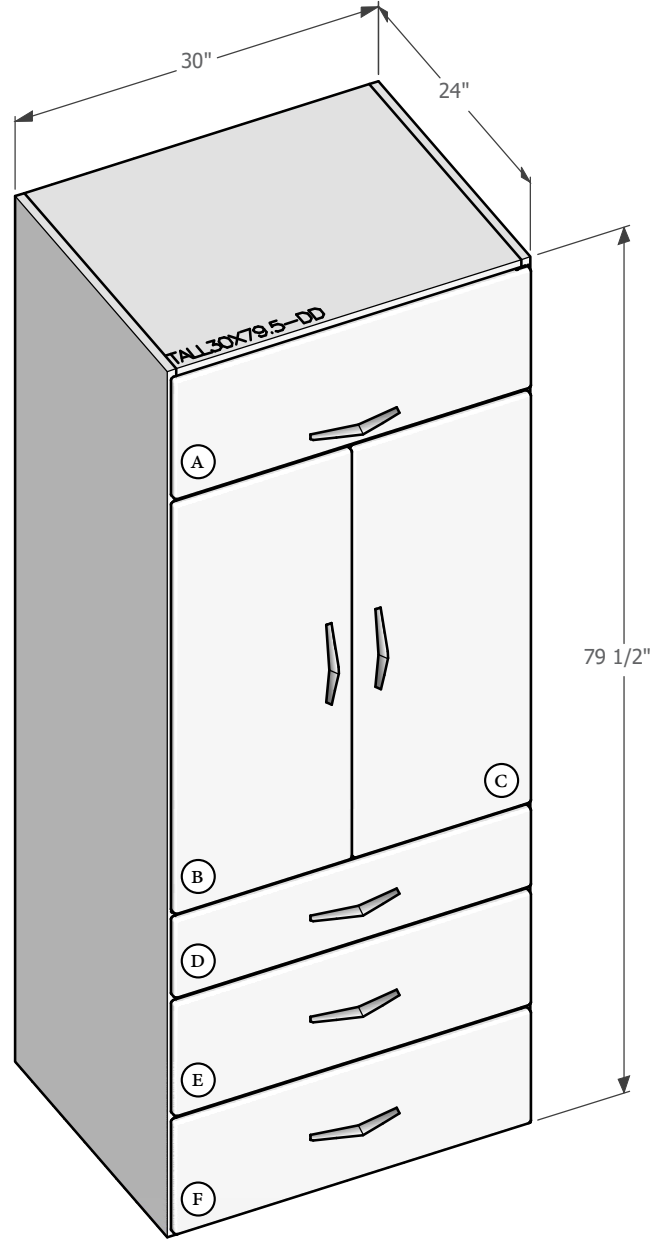
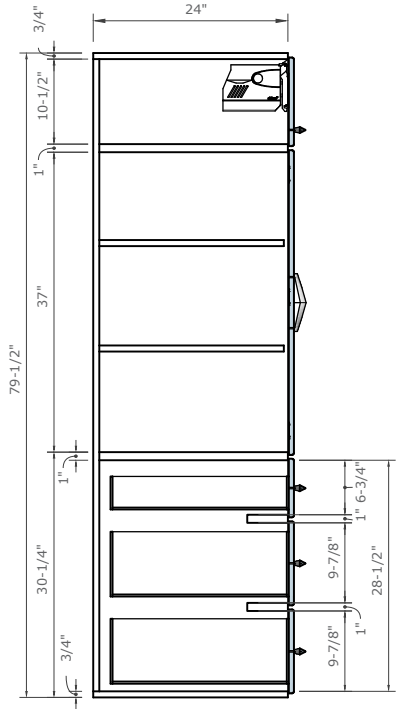
Toro pantry cabinet offers flexible storage with door and drawer access to storage items. Available in both single and double door configurations. With both lift-gate and swing door access to upper storage items depending on width and unit height.



DOORS

A	PAN24X79.5 - U
B/C	PAN24X79.5 - L
D	TDR24
E/F	BDR24

- *BLUMOTION soft close, high-grade, under-mount drawer slides come standard.
- *Drawer boxes are made with all-wood dovetail construction.
- *All flat panel doors come standard with BLUMOTION soft-close hinges.



DOUBLE DOOR SF 37

PAN30X79.5DD 30X79.5 in

Toro pantry cabinet offers flexible storage with door and drawer access to storage items. Available in both single and double door configurations. With both lift-gate and swing door access to upper storage items depending on width and unit height.

DOORS

A	PAN30X79.5DD - U
B/C	PAN30X79.5DD - L
D	TDR30
E/F	BDR30

*BLUMOTION soft close, high-grade, under-mount drawer slides come standard.
 *Drawer boxes are made with all-wood dovetail construction.
 *All flat panel doors come standard with BLUMOTION soft-close hinges.

TALL PANTRY 15

PAN15x91.5 15X91.5 in

Toro pantry cabinet offers flexible storage with door and drawer access to storage items. Available in both single and double door configurations. With both lift-gate and swing door access to upper storage items depending on width and unit height.

DOORS

A	PAN15X91.5 - UL
B	PAN15X91.5 - UR
C	PAN15X91.5 - LL
D	PAN15X91.5 - LR
E	PAN15X91.5 - T
F	PAN15X91.5 - M
G	PAN15X91.5 - B

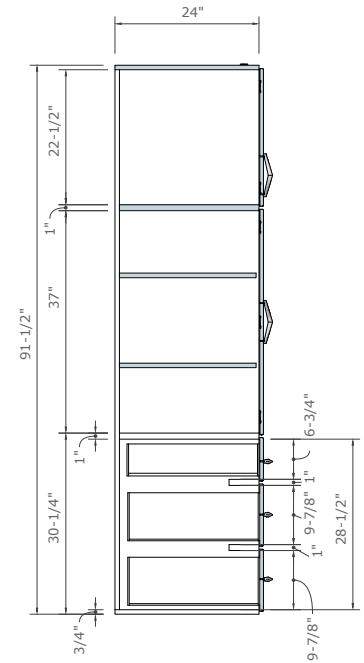
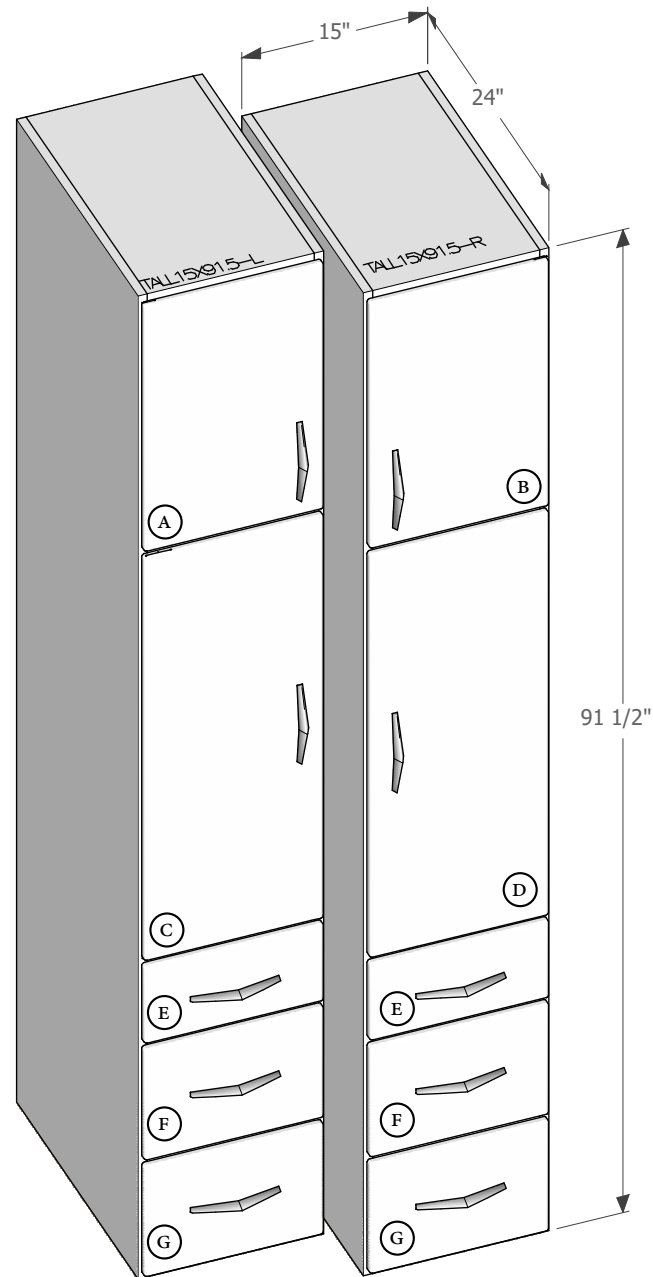
*UR, UL, LR & LL designations refer to upper right, upper left, lower right and lower left hinge side (not handle side)

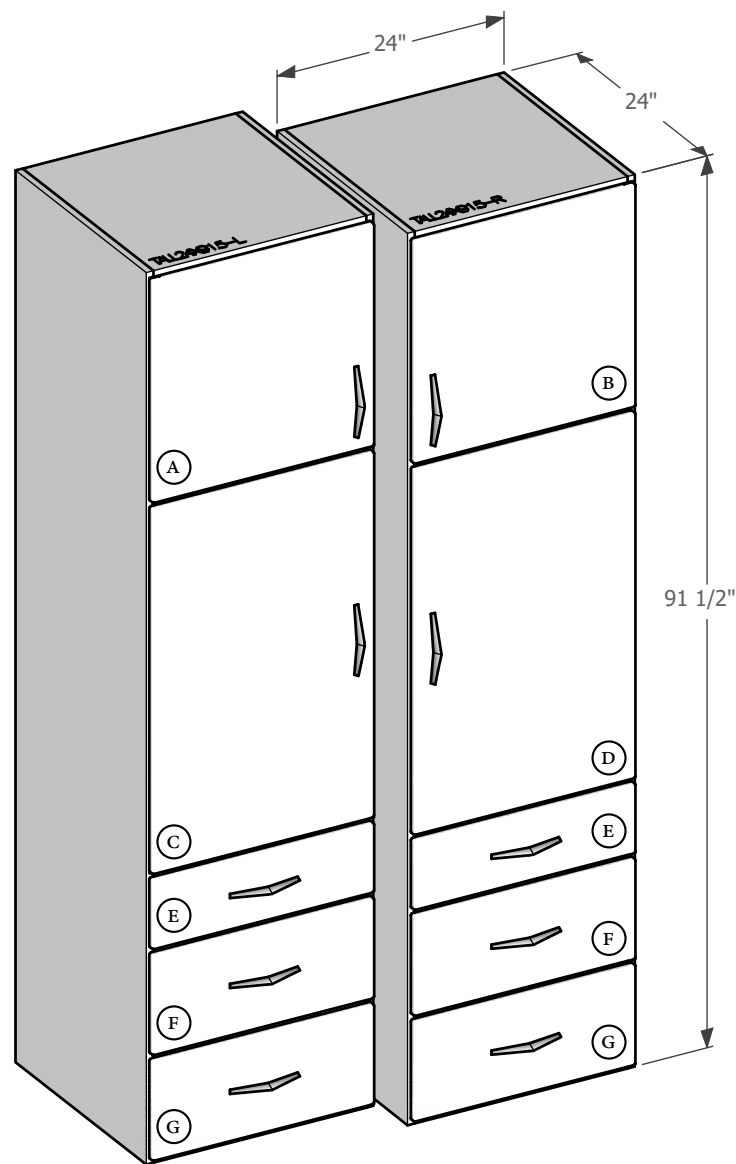
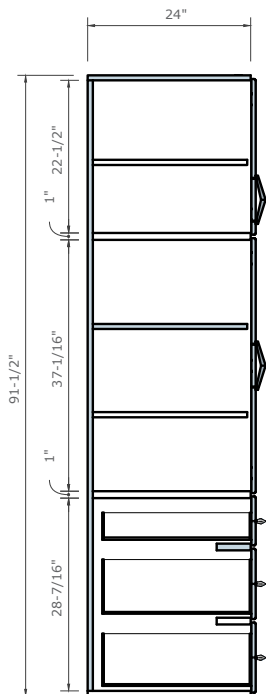
*T, M, & B designations refer to top, middle, & bottom drawer positions.

*BLUMOTION soft close, high-grade, under-mount drawer slides come standard.

*Drawer boxes are made with all-wood dovetail construction.

*All flat panel doors come standard with BLUMOTION soft-close hinges.





TALL PANTRY 24

PAN24X91.5 L/R 24X91.5 in

Toro pantry cabinet offers flexible storage with door and drawer access to storage items. Available in both single and double door configurations. With both lift-gate and swing door access to upper storage items depending on width and unit height.

DOORS

A	PAN24X91.5 - UL
B	PAN24X91.5 - UR
C	PAN24X91.5 - LL
D	PAN24X91.5 - LR
E	PAN24X91.5 - T
F	PAN24X91.5 - M
G	PAN24X91.5 - B

*UR, UL, LR & LL designations refer to upper right, upper left, lower right and lower left hinge side (not handle side)

*T, M, & B designations refer to top, middle, & bottom drawer positions.

*BLUMOTION soft close, high-grade, under-mount drawer slides come standard.

*Drawer boxes are made with all-wood dovetail construction.

*All flat panel doors come standard with BLUMOTION soft-close hinges.

TALL PANTRY DOUBLE DOOR

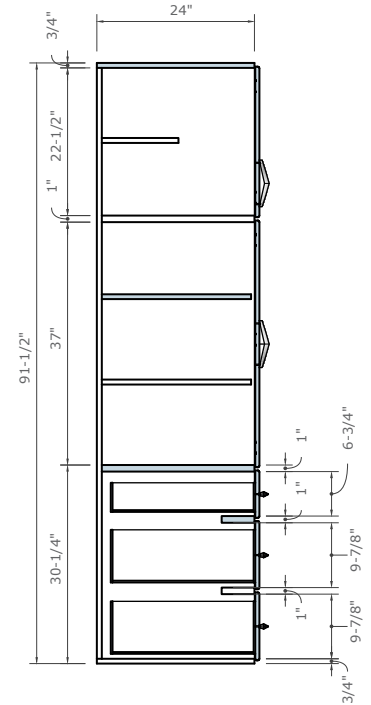
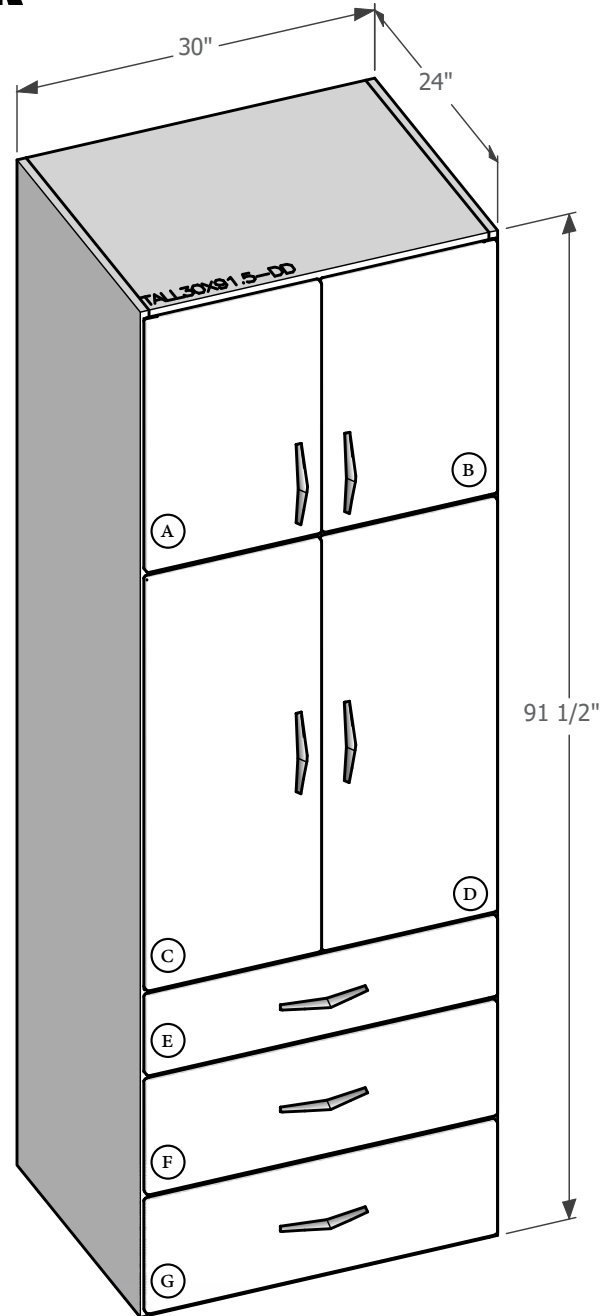
PAN30x91.5DD 30X91.5 in

Toro pantry cabinet offers flexible storage with door and drawer access to storage items. Available in both single and double door configurations. With both lift-gate and swing door access to upper storage items depending on width and unit height.

DOORS

A/B	PAN30X91.5DD - UL
C/D	PAN30X91.5DD - UR
E	TDR30
F/G	BDR30

- *BLUMOTION soft close, high-grade, under-mount drawer slides come standard.
- *Drawer boxes are made with all-wood dovetail construction.
- *All flat panel doors come standard with BLUMOTION soft-close hinges.





TRASH BINS

98



Base Trash Bin
15 x 30

99



Pantry
18 x 30

BASE TRASH BIN

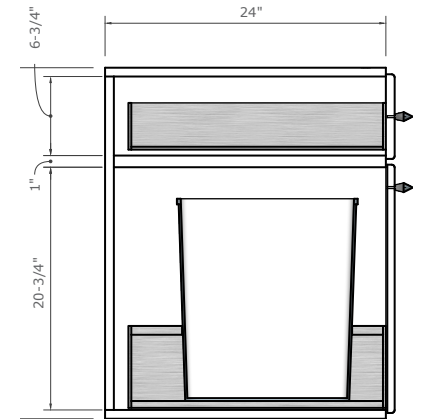
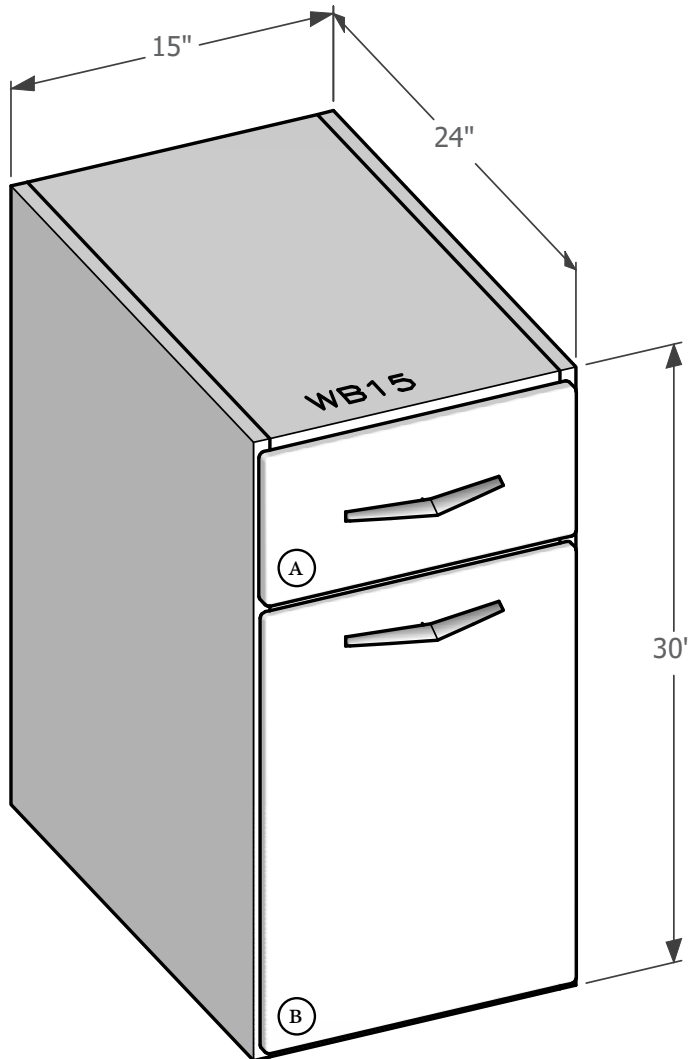
BTB15 15x30in

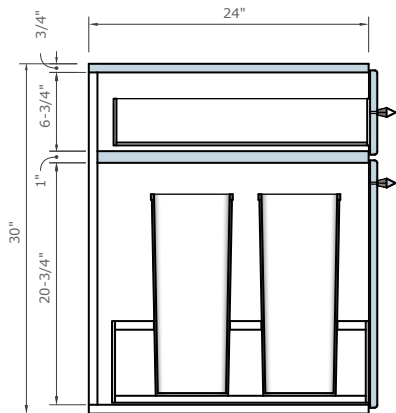
Integrated trash bins eliminate the need to have a bulky and messy trash can cluttering up the kitchen. Toro's trash bin features a pull-out bin that is discreet and seamlessly integrated into the design of the kitchen.

Available in both double and single bin configurations for trash only or trash and recyclables.

DOORS

A	TDR15
B	BDO-WB15

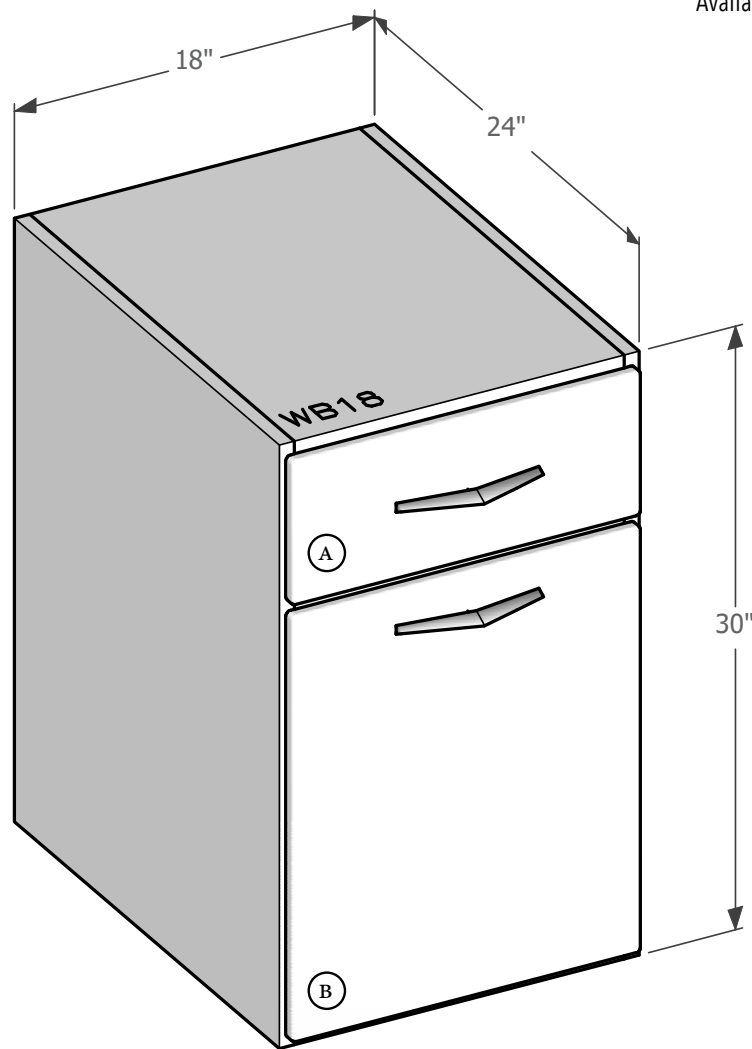




BASE TRASH BIN

BTB18 18x30 in

Integrated trash bins eliminate the need to have a bulky and messy trash can cluttering up the kitchen. Toro's trash bin features a pull-out bin that is discreet and seamlessly integrated into the design of the kitchen. Available in both double and single bin configurations for trash only or trash and recyclables.



DOORS

A	TDR18
B	BDO-WB18



**MICROWAVE &
REFRIGERATOR
CABINETS**

98



Microwave 30

99



Microwave 33

100



Microwave 36

101



Microwave 39

102



Refrigerator 30

103



Refrigerator 33

104



Refrigerator 36

105



Refrigerator 39

MICROWAVE 30

MICRO30

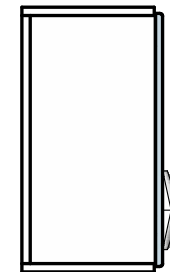
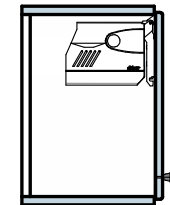
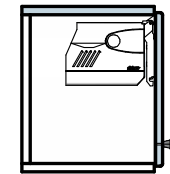
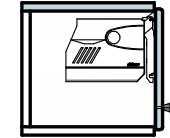
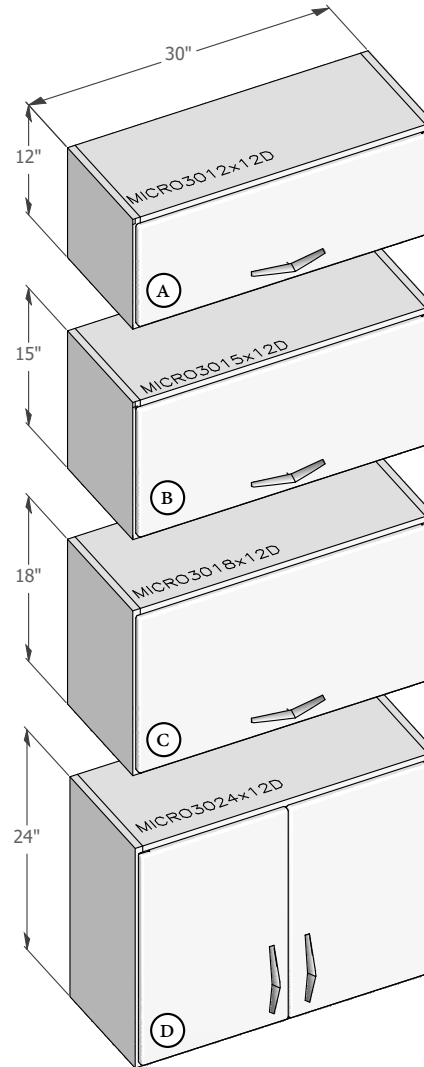
These cabinets typically go over top of microwave ovens or range hoods.

They are also used for lower depth refrigerator cabinets.

A	MICRO3012x12D
B	MICRO3015x12D
C	MICRO3018x12D
D	MICRO3024x12D

*R & L designations refer to right and left hinge side
(not handle side)

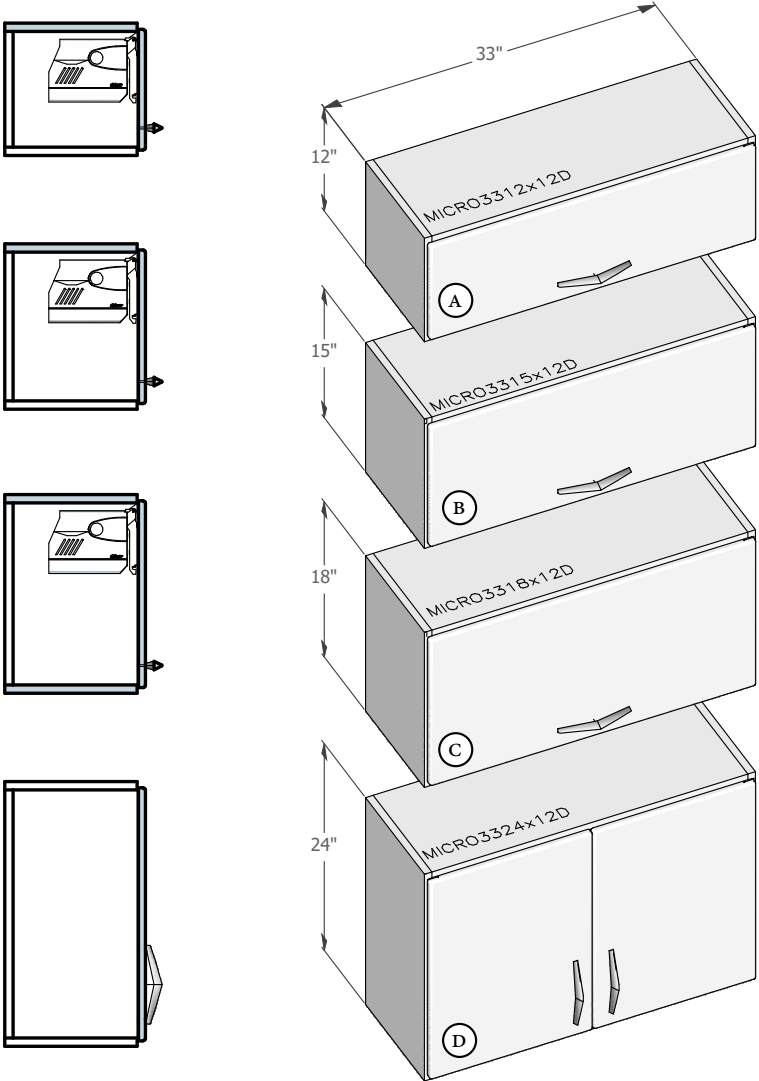
*T, M, & B designations refer to top, middle, & bottom
drawer positions.



MICROWAVE 33

MICRO33

These cabinets typically go over top of microwave ovens or range hoods.
They are also used for lower depth refrigerator cabinets.



DOORS

A	MICRO3312x12D
B	MICRO3315x12D
C	MICRO3318x12D
D	MICRO3324x12D

*R & L designations refer to right and left hinge side (not handle side)
*T, M, & B designations refer to top, middle, & bottom drawer positions.

MICROWAVE 36

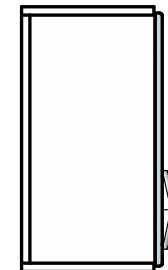
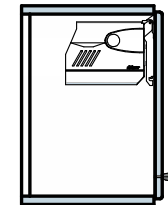
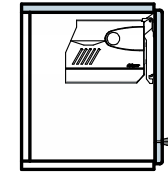
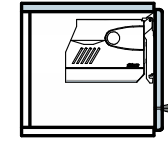
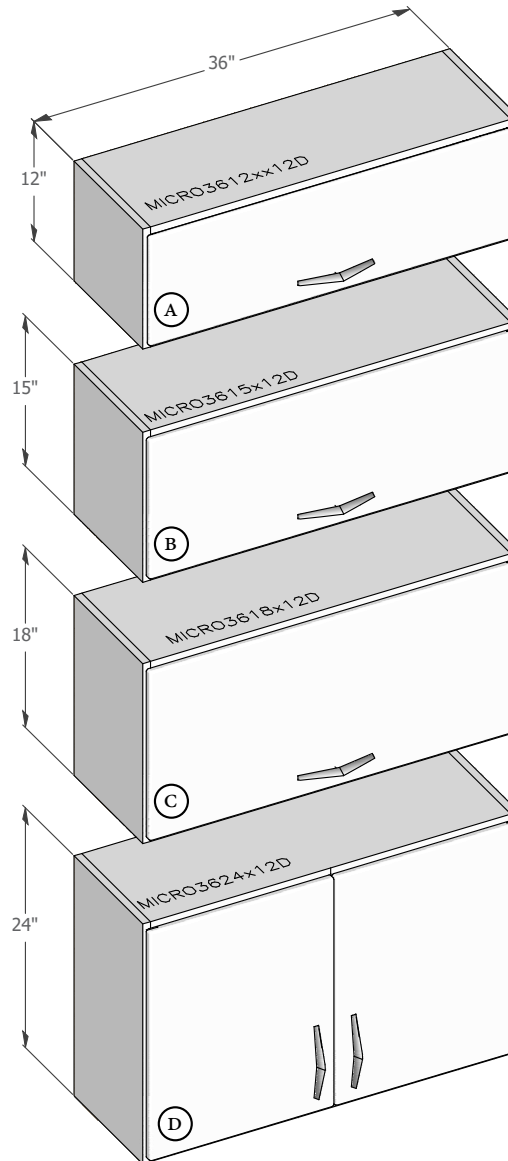
MICRO36

These cabinets typically go over top of microwave ovens or range hoods.
They are also used for lower depth refrigerator cabinets.

A	MICRO3612x12D
B	MICRO3615x12D
C	MICRO3618x12D
D	MICRO3624x12D

*R & L designations refer to right and left hinge side (not handle side)

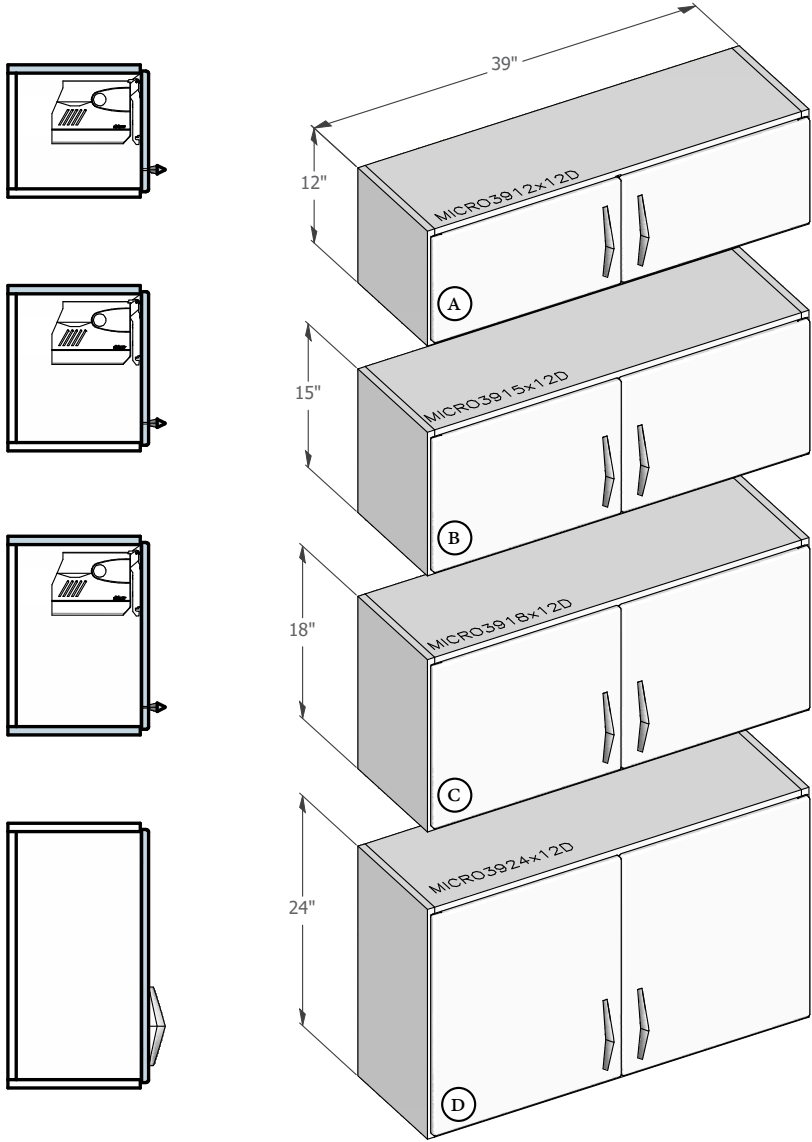
*T, M, & B designations refer to top, middle, & bottom drawer positions.



MICROWAVE 39

MICRO39

These cabinets typically go over top of microwave ovens or range hoods.
They are also used for lower depth refrigerator cabinets.



DOORS

A	MICRO3912x12D
B	MICRO3915x12D
C	MICRO3918x12D
D	MICRO3924x12D

*R & L designations refer to right and left hinge side (not handle side)
*T, M, & B designations refer to top, middle, & bottom drawer positions.

REFRIGERATOR 30

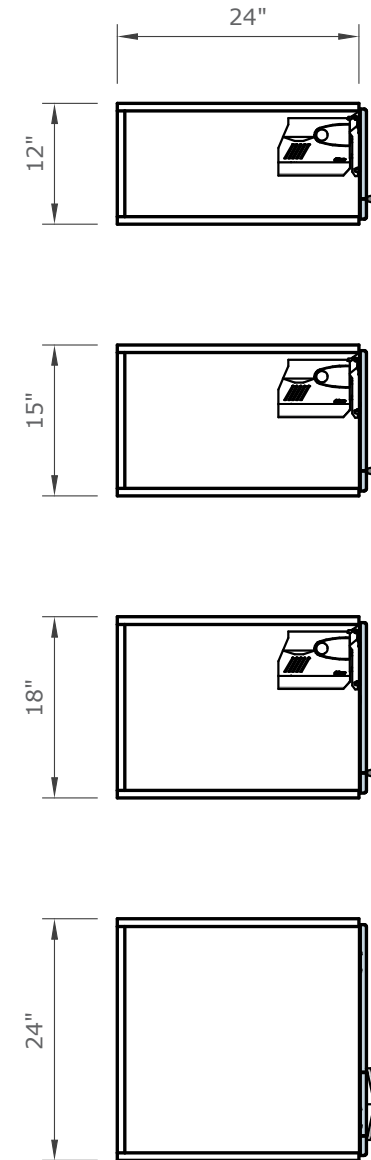
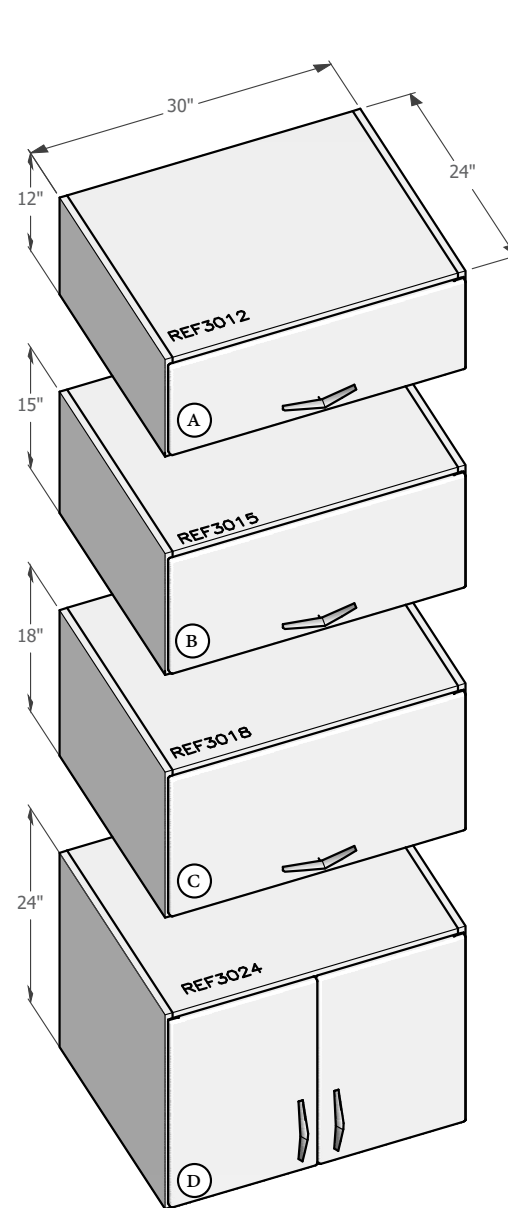
REF30

These cabinets typically go over top of microwave ovens or range hoods.
They are also used for lower depth refrigerator cabinets.

A	REF3012x24D
B	REF3015x24D
C	REF3018x24D
D	REF3024x24D

*R & L designations refer to right and left hinge side (not handle side)

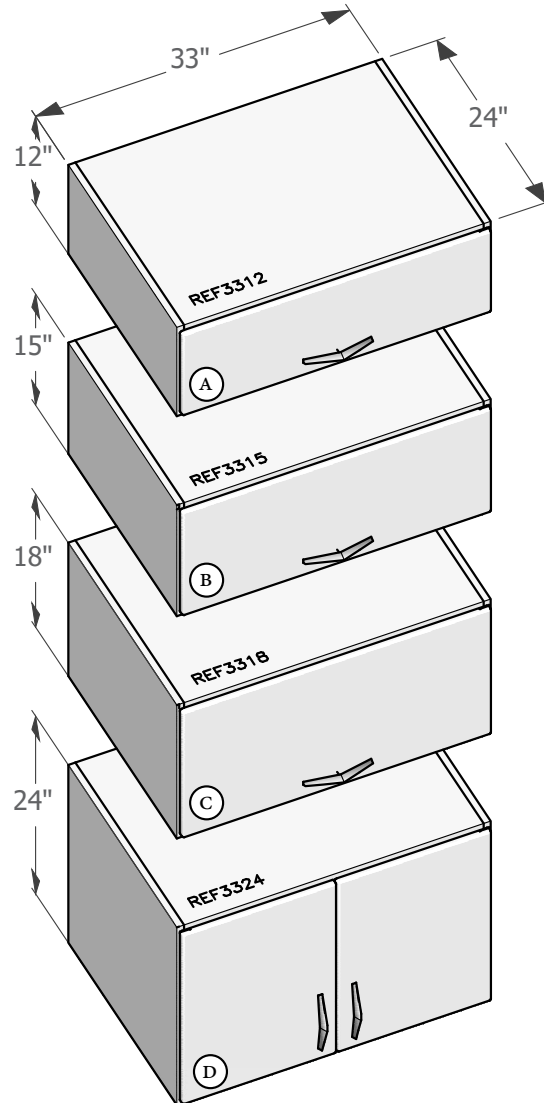
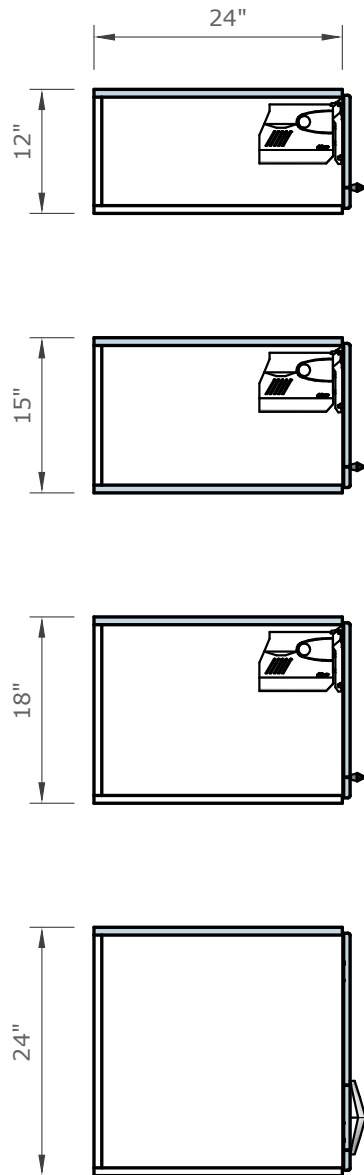
*T, M, & B designations refer to top, middle, & bottom drawer positions.



REFRIGERATOR 33

REF33

These cabinets typically go over top of microwave ovens or range hoods.
They are also used for lower depth refrigerator cabinets.



DOORS

A	REF3312x24D
B	REF3315x24D
C	REF3318x24D
D	REF3324x24D

*R & L designations refer to right and left hinge side (not handle side)

*T, M, & B designations refer to top, middle, & bottom drawer positions.

REFRIGERATOR 36

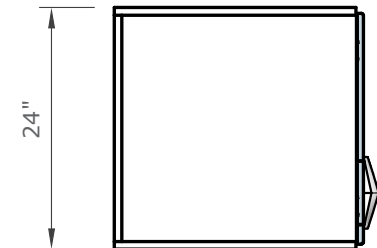
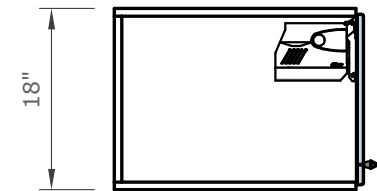
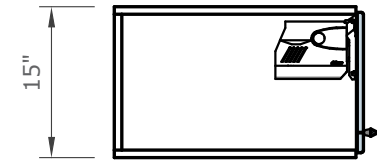
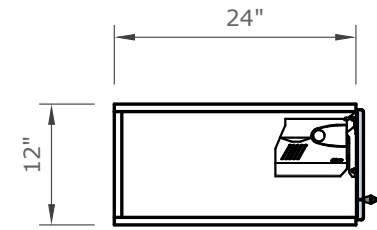
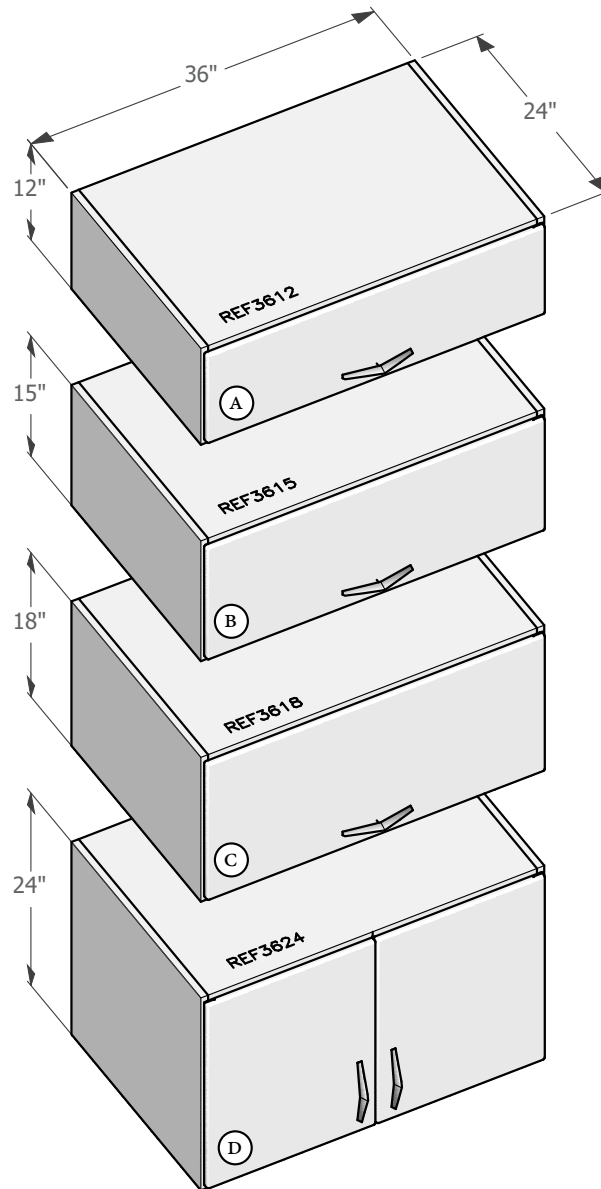
REF36

These cabinets typically go over top of microwave ovens or range hoods.
They are also used for lower depth refrigerator cabinets.

A	REF3612x24D
B	REF3615x24D
C	REF3618x24D
D	REF3624x24D

*R & L designations refer to right and left hinge side (not handle side)

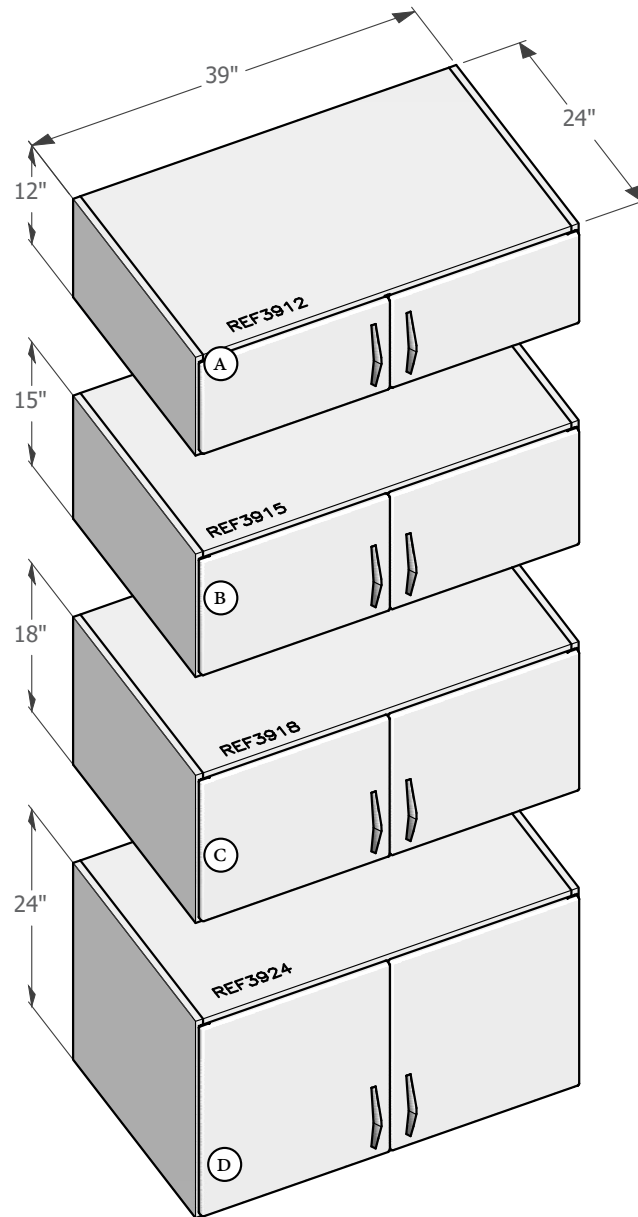
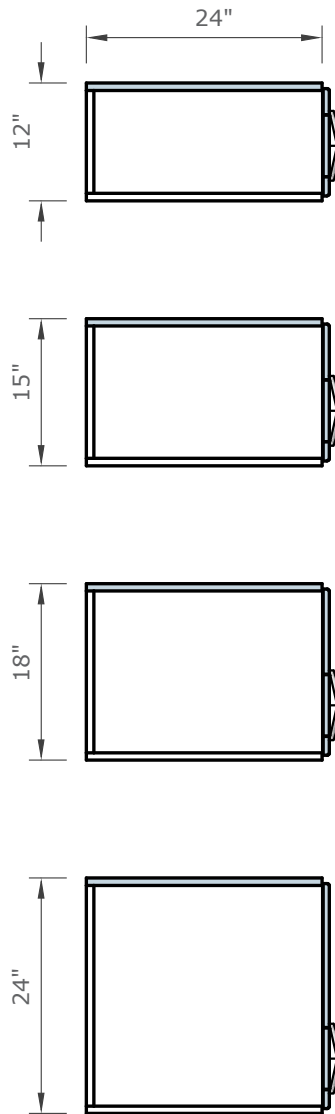
*T, M, & B designations refer to top, middle, & bottom drawer positions.



REFRIGERATOR 39

REF39

These cabinets typically go over top of microwave ovens or range hoods.
They are also used for lower depth refrigerator cabinets.



DOORS

A	REF3912x24D
B	REF3915x24D
C	REF3918x24D
D	REF3924x24D

*R & L designations refer to right and left hinge side (not handle side)

*T, M, & B designations refer to top, middle, & bottom drawer positions.

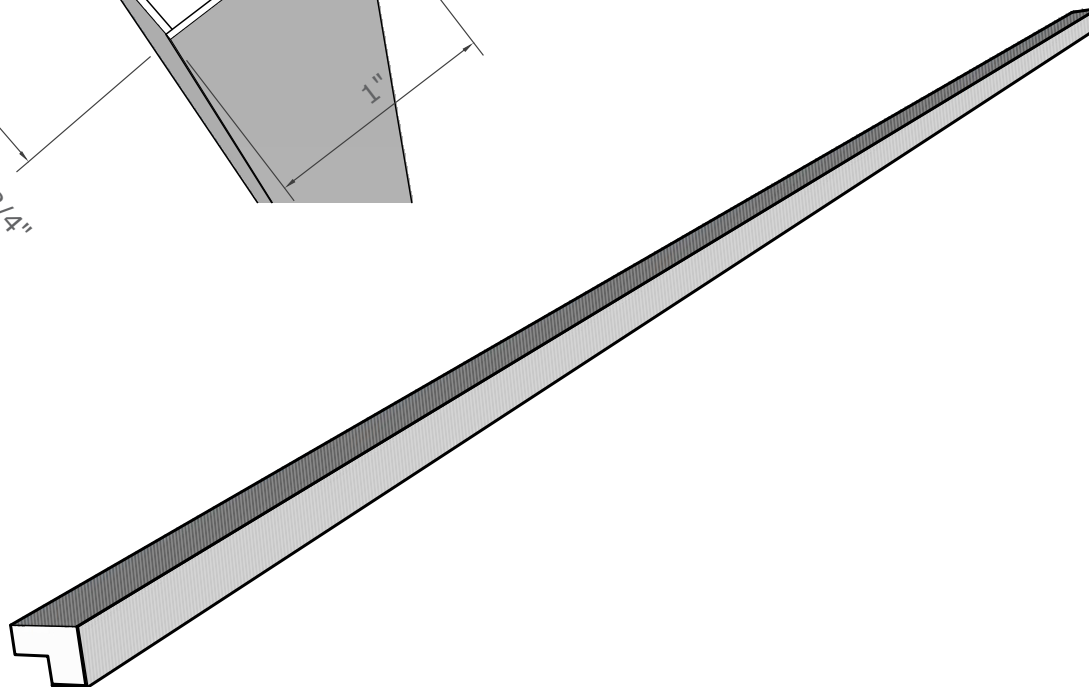
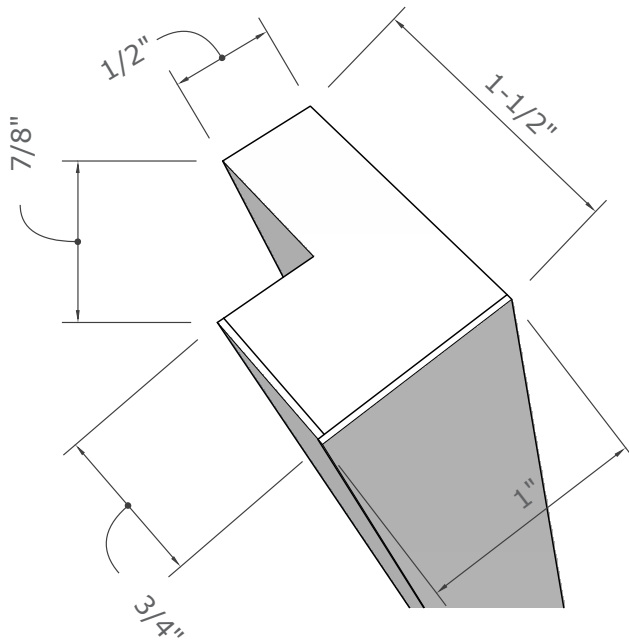


PANELS & FILLERS

UNDER-MOUNT LIGHT RAIL

UMLR

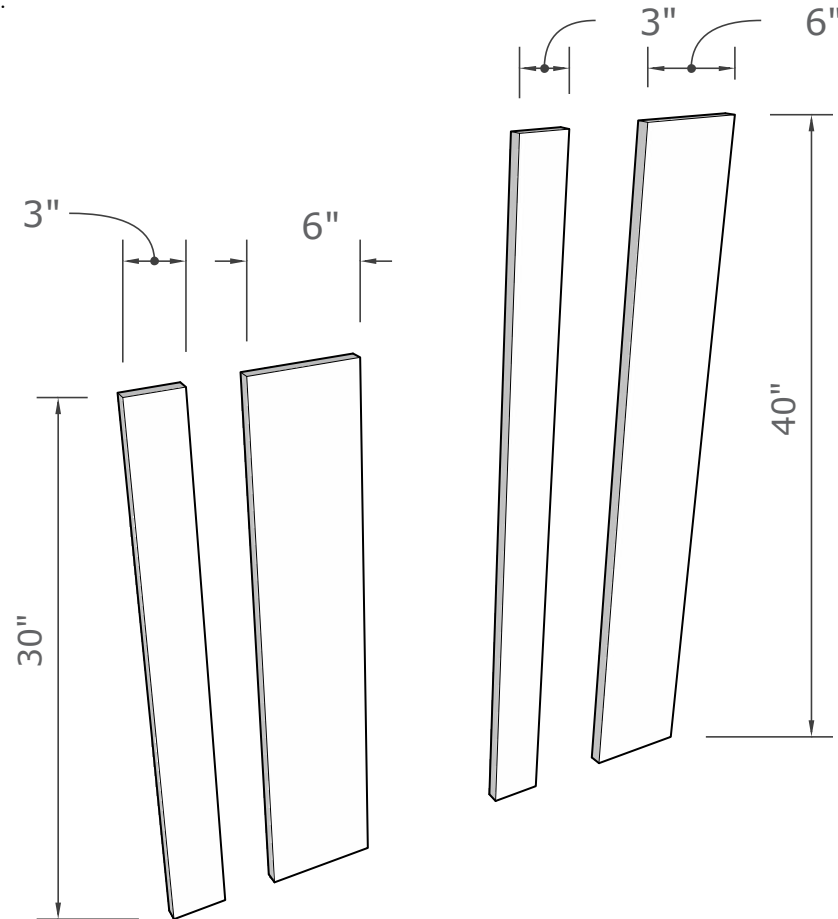
If you choose to have lighting strips placed below the upper wall cabinets, these light rails will hide the strips preventing direct glare while providing a pleasant back-lit glow.



FILLER STICKS

FS330 3X30 | FS340 3X40 | FS630 6X30 | FS640 6X40

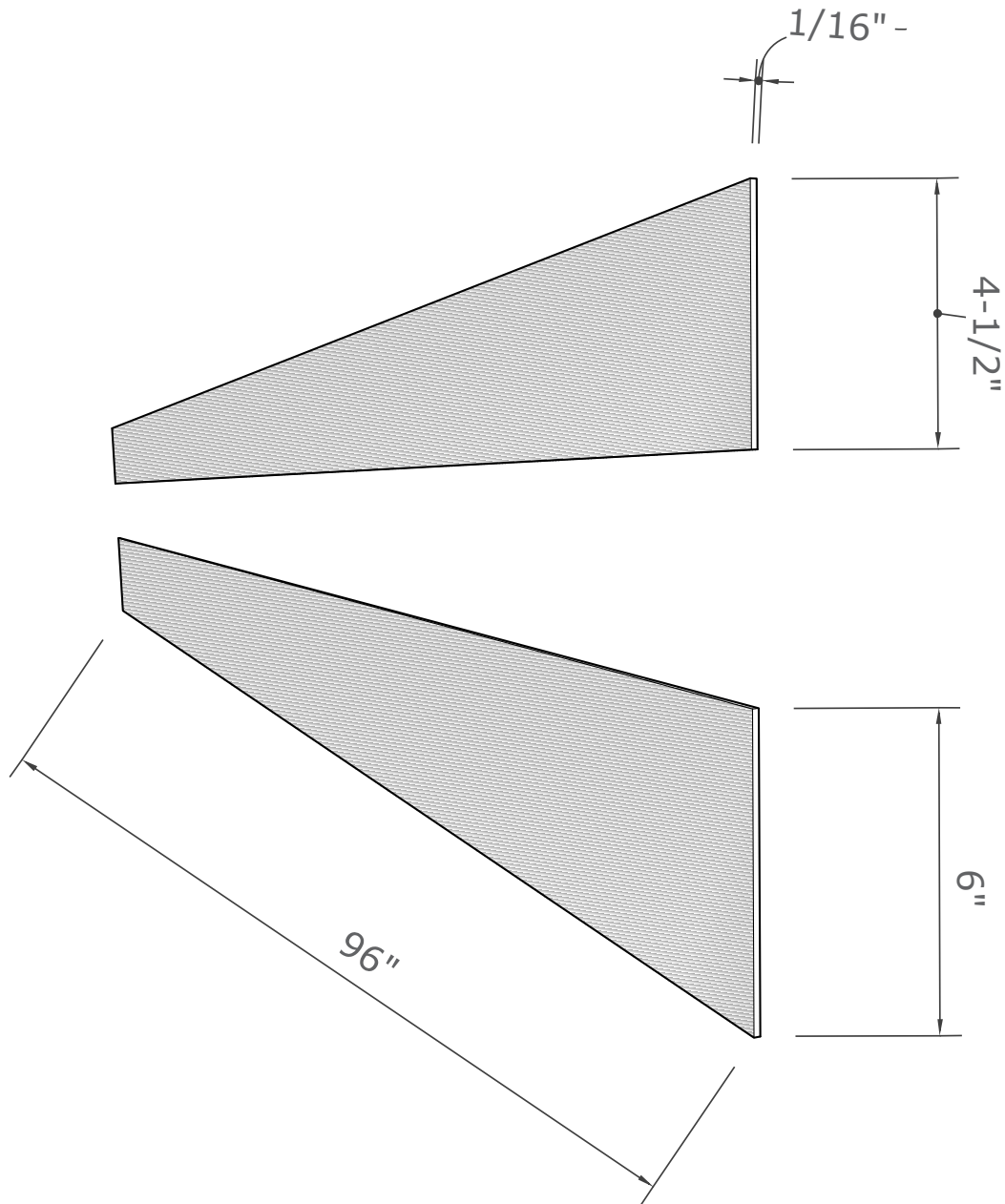
Filler boards and sticks are meant to fill in strategically placed gaps around appliances and between cabinets for a seamless look. Filler sticks will be custom stained to match the wood finish that you choose for your cabinets.



TOE KICK

TK4.5 | TK6

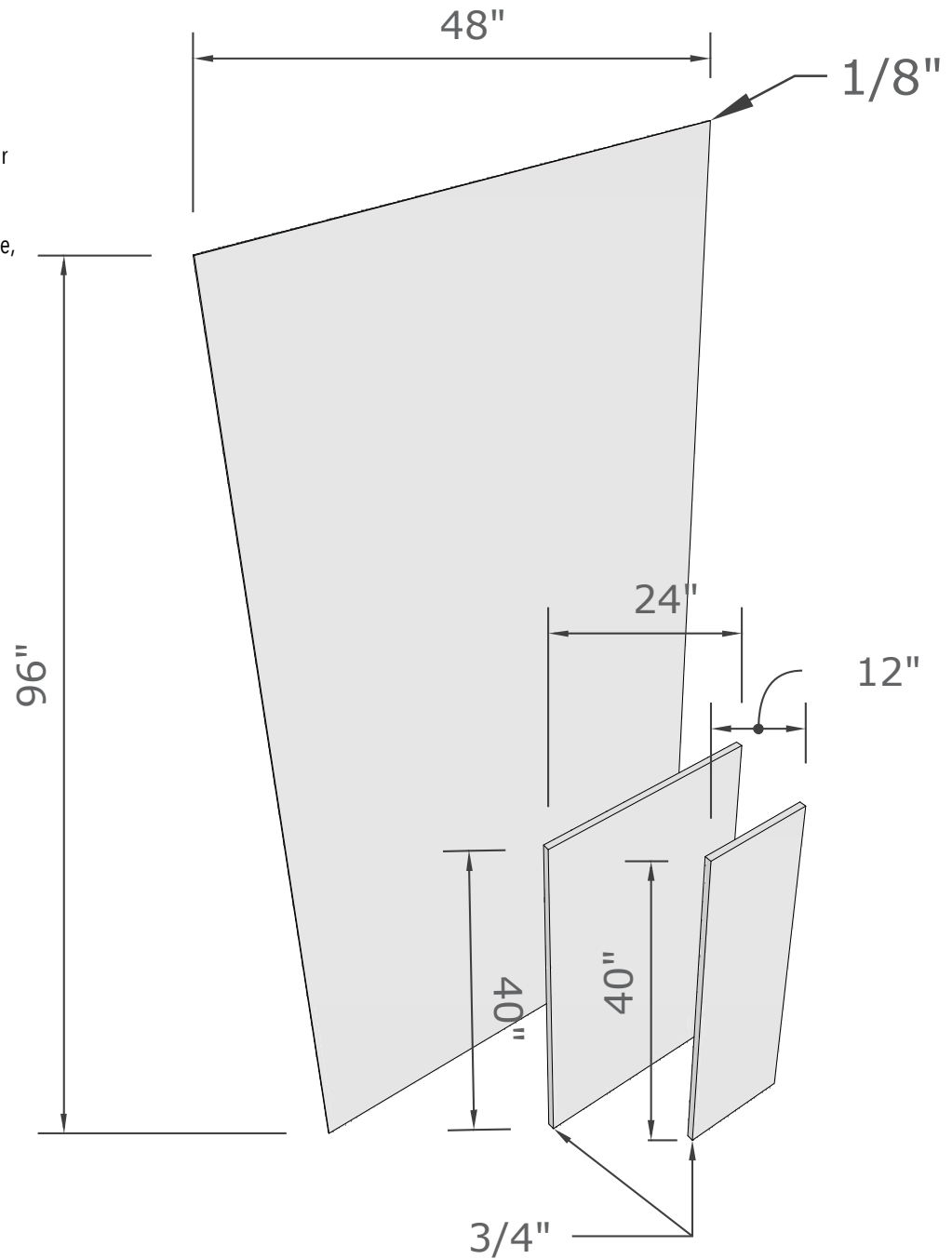
Toe kicks create a seamless look from base cabinets to floor. Toe kicks are also great for hiding unfinished flooring. Toe kicks are not required, there are also leg options to choose from if the desire is to have a continuous floor. Toe kicks are replaceable in case of water damage caused by flood or other unforeseeable event.



LARGE FILLER PANELS

LFP48 48X96 | LFP24 24X40 | LFP12 12X40

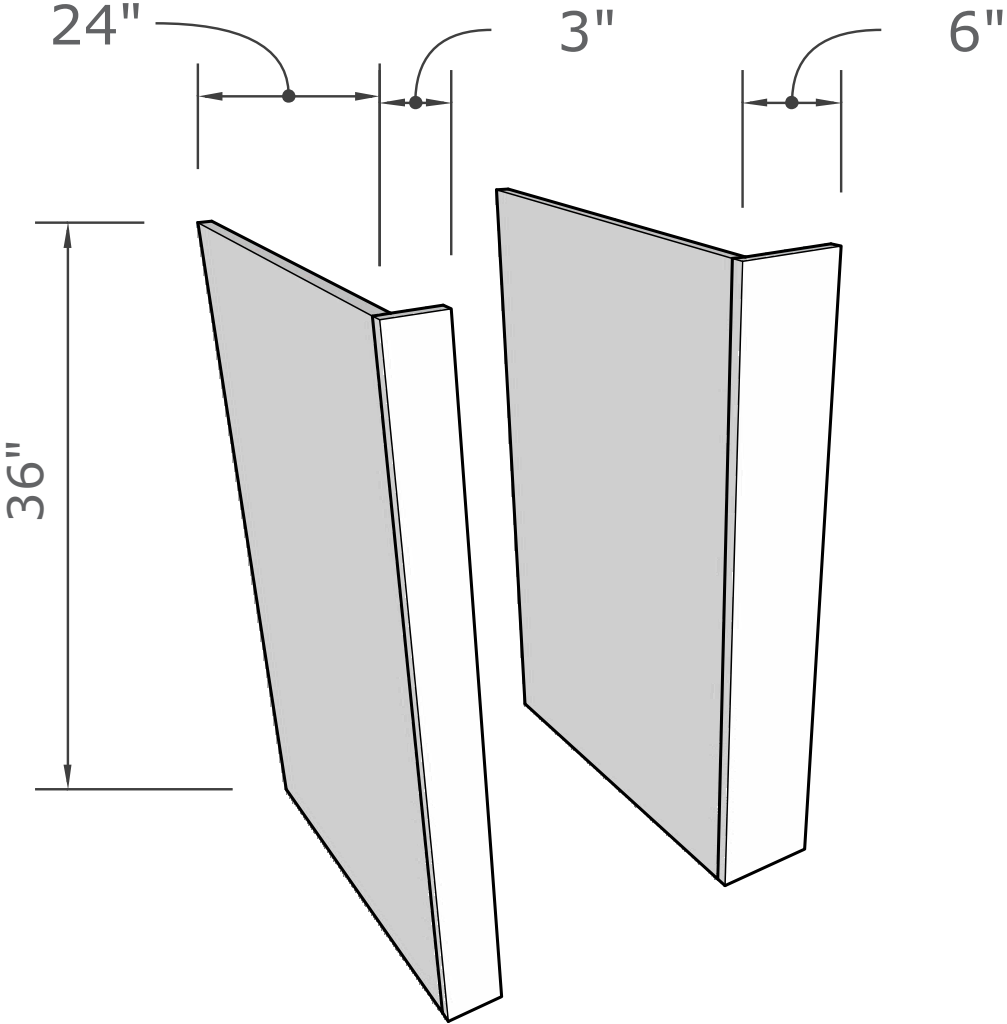
Filler panels are intended to fill large areas and are meant to be used wherever needed as creativity and convenience allows. Filler panels are stained or laminated to match cabinet boxes. If a cabinet is to be exposed on the backside, these filler panels are specifically made to create a beautiful finished look.



DISHWASHER END PANEL

DEP3 3X36 | DEP6 6X36

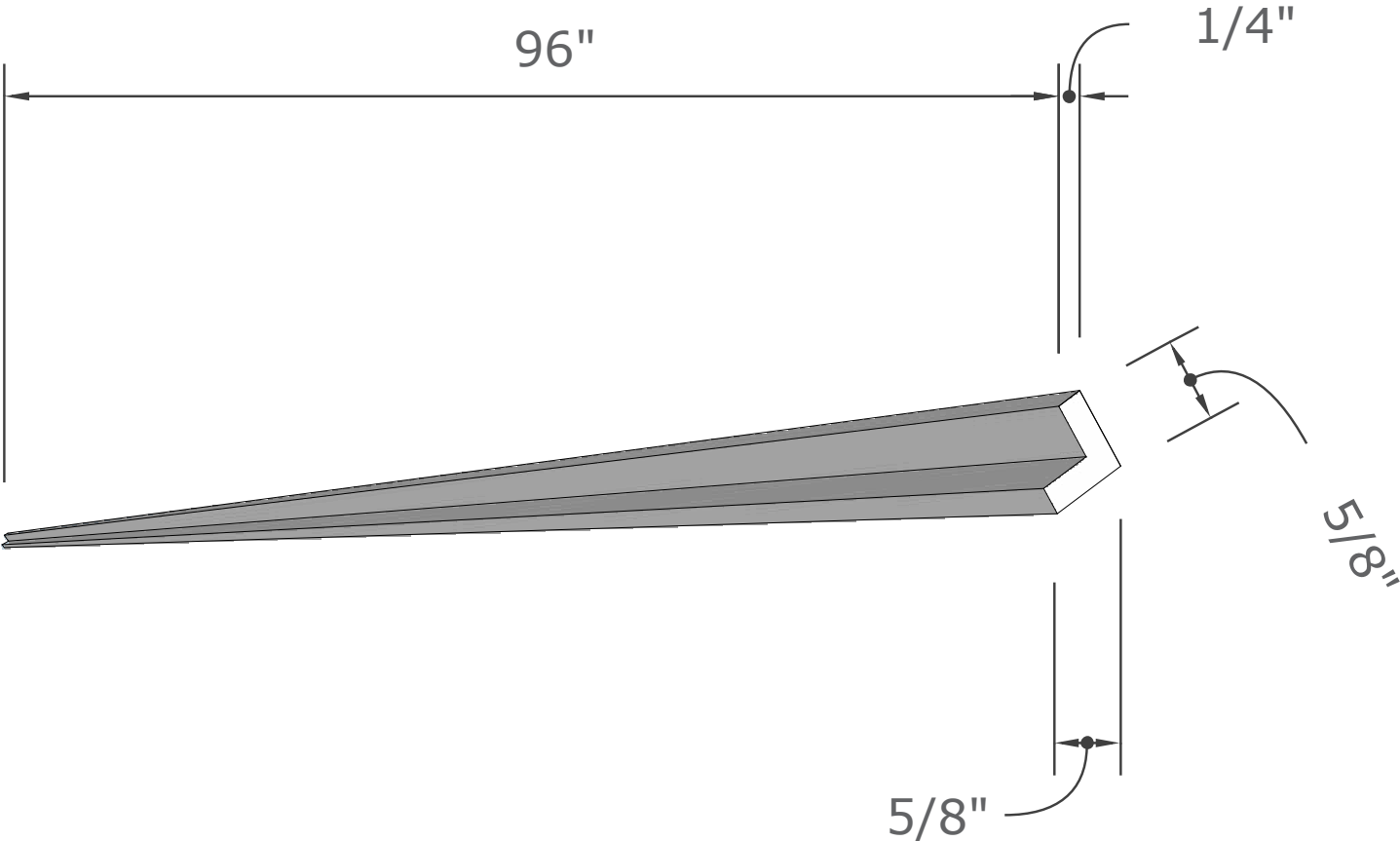
Dishwasher end panels are meant to encase a dishwasher if needed. Typically used if the dishwasher is located at the end of a row of cabinets.



CORNER BEAD

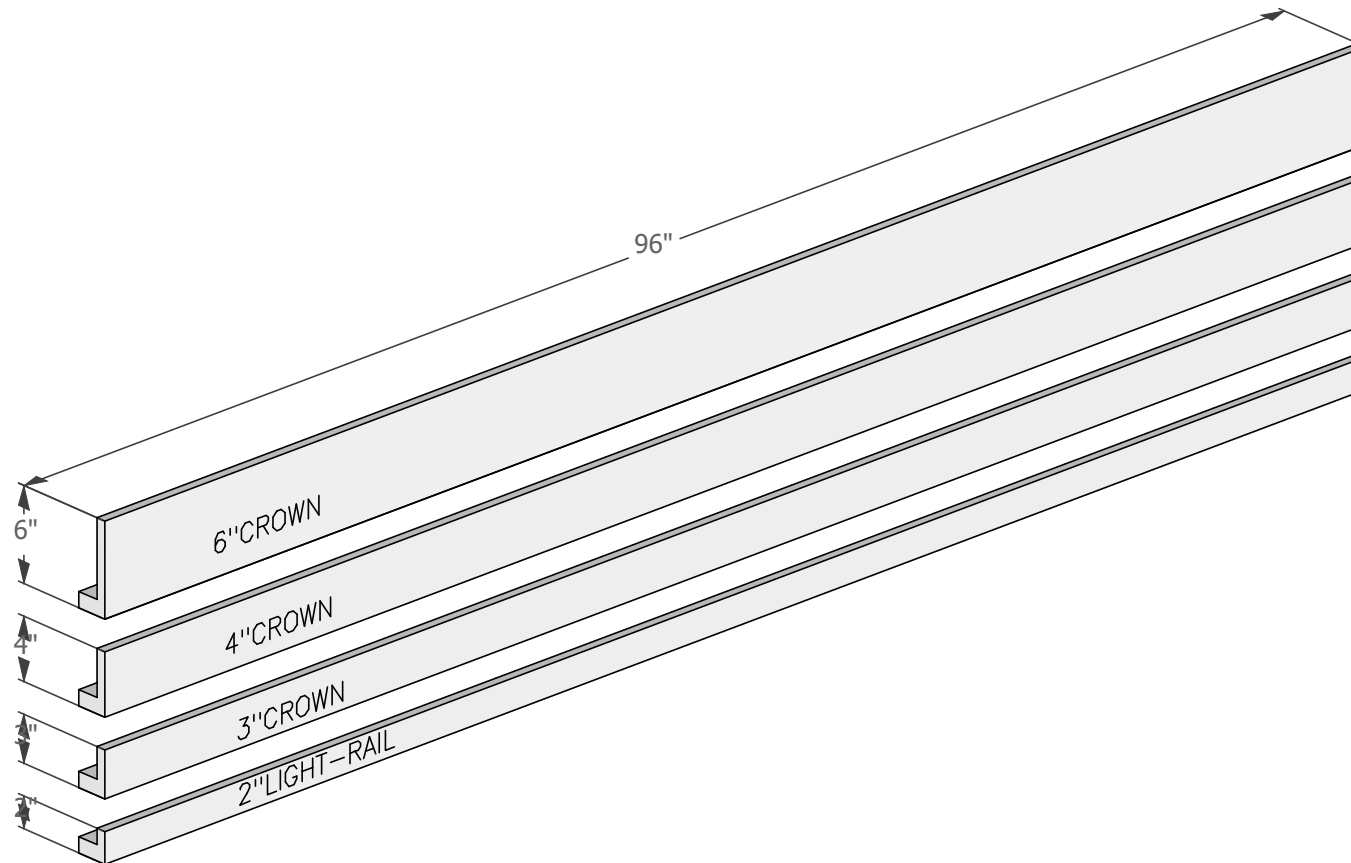
CB625 .625x96

A finishing strip that is placed inside or outside a corner joint to hide seams where cabinets meet.



CROWN MOLDING

Crown molding extends from the upper cabinets to the ceiling giving a rich and finished look to your kitchen.



RADIUS CROWN

This is a specialty molding that acts as a crown molding or light rail for the radius cabinet.

